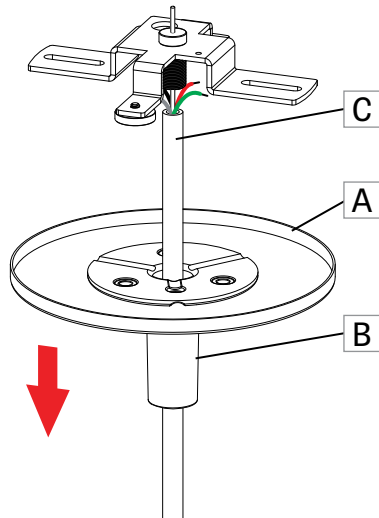


# SHELL 24 ROUND

## PENDANT REINFORCED CABLE - INTEGRATED DRIVER - INST

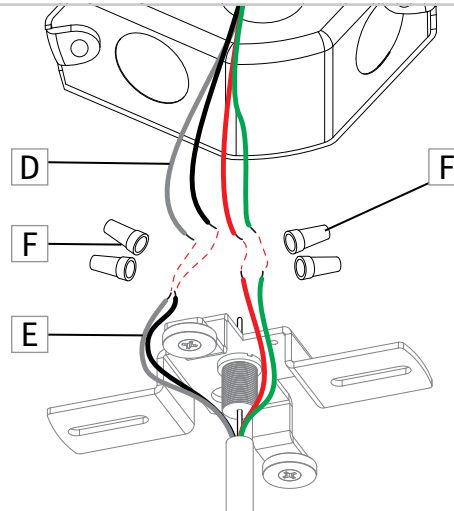
**NOTE: Wire dimming conductors as Class 1**

1



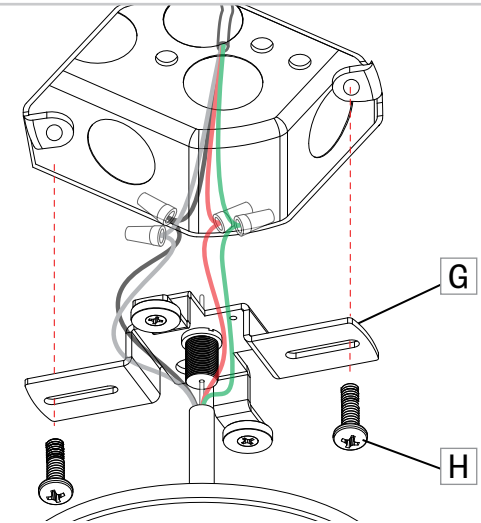
Lower the canopy (A) and the cone (B) along the reinforced cable (C).

2



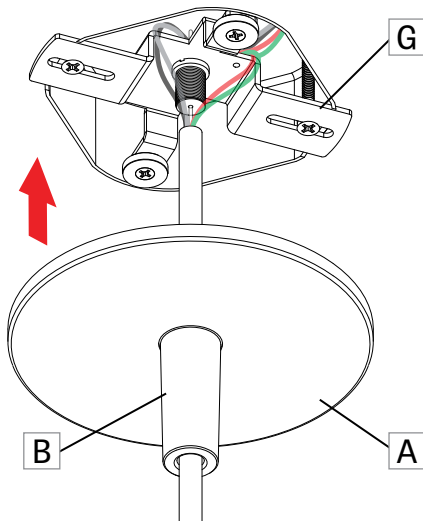
Make the electrical connection between the wires (D) from the building and the power cord (E) on the fixture with the wire nuts (F).

3



Install the cross-bracket (G) on the junction box with screws (H).

4



Attach the canopy (A) and the cone (B) on the magnetic cross-bracket (G).