

SHELL 24 ROUND

SURFACE MOUNT - INTEGRATED DRIVER - INST

IMPORTANT : Do not handle fixture by the wires during installation

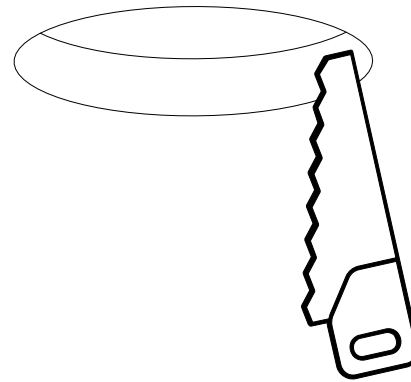
NOTE: Wire dimming conductors as Class 1



This product must be installed in accordance with the National Electrical Code and all applicable local codes, by a person familiar with the construction and operation of the product, and the hazards involved. Proper grounding is required for safety.

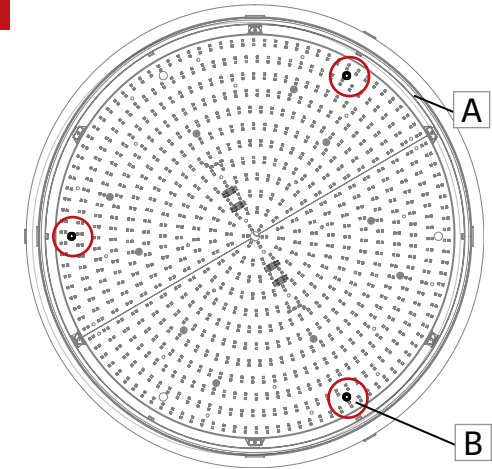
Ce produit doit être installé suivant le code national de l'électricité, ainsi que tous les codes locaux applicables, par une personne familière avec la construction et le fonctionnement du produit, ainsi que tous les risques qui y sont associés. La mise à terre électrique est obligatoire pour la sécurité.

1



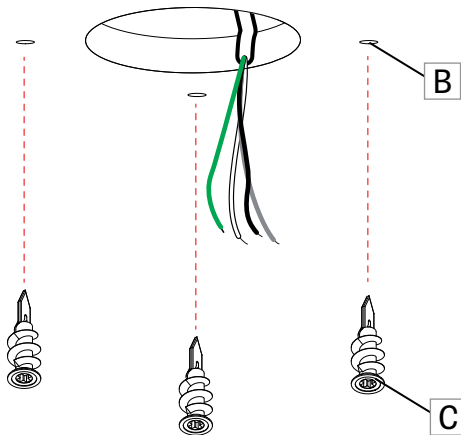
Prepare the area where the fixture is going to be installed. Cut the hole (recommended 9") in the ceiling.

2



Use the fixture (A) as a model to mark 3 drill holes (B) on the ceiling.

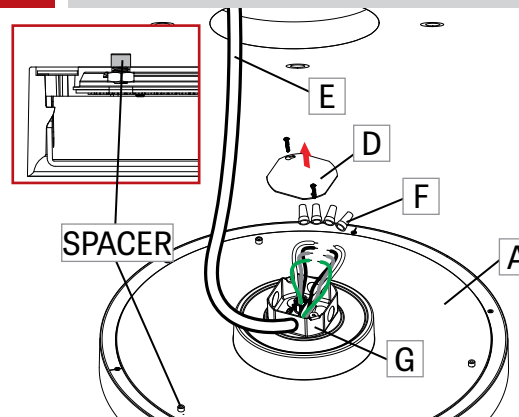
3



Remove the fixture. Drill the holes (B) following the drill holes. Install the screw anchors (C). Recommended to have reinforcements on the back of the ceiling (wood recommended) where holes are drilled.

4

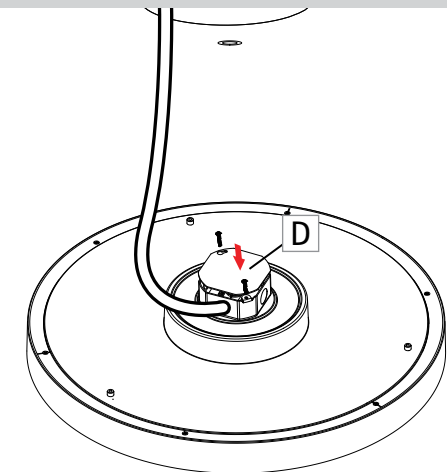
WITH UP LIGHT GLOW



Open cover (D) of junction box and remove one knockout punched cover. Make the electrical connection between the fixture (A) and power cable (E) from the building with marrettes (F) inside the junction box (G). **Number of wires may vary.**

5

WITH UP LIGHT GLOW

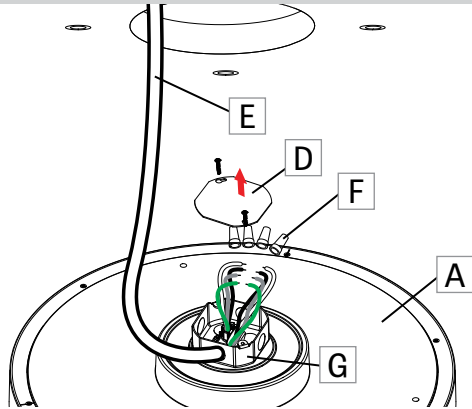


Close junction box with cover (D) and screws. **Do not let the fixture hang by the wires.**

SHELL 24 ROUND

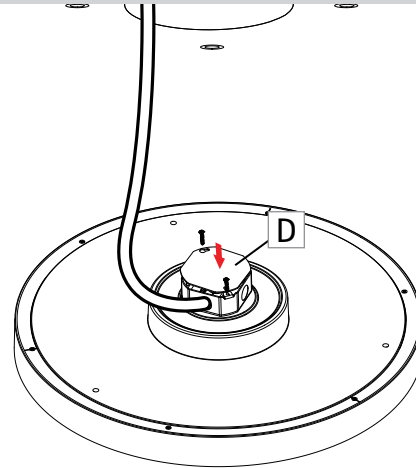
SURFACE MOUNT - INTEGRATED DRIVER - INST

6 WITHOUT UP LIGHT GLOW



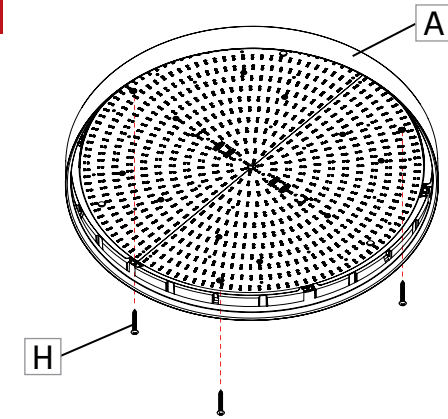
Open cover (D) of junction box and remove one knockout punched cover. Make the electrical connection between the fixture (A) and power cable (E) from the building with marrettes (F) inside the junction box (G). **Number of wires may vary.**

7 WITHOUT UP LIGHT GLOW



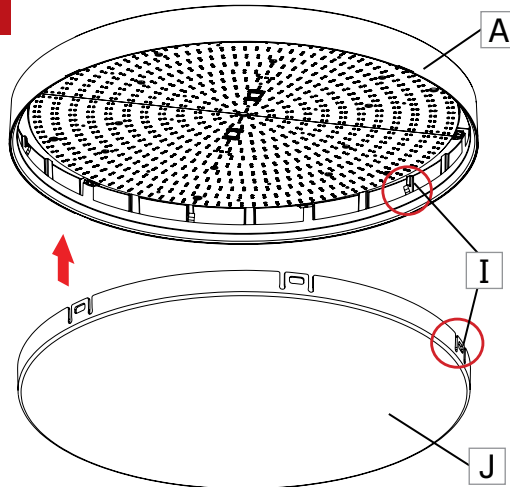
Close junction box with cover (D) and screws. **Do not let the fixture hang by the wires.**

8



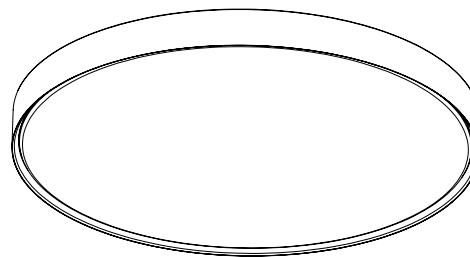
Use the screws (H) to fasten the fixture (A) to the ceiling. **For Shell 24", we recommend the use of a solid material, such as wood to reinforce the back of the ceiling.**

9



Align the snapping features (I) between the fixture (A) and the lens (J). Put the lens (J) back in place.

10 FINAL VIEW



Final result of installation.