


SQUERO/SQUERO COMBINATION


Pendant

LUMENWERX

 This product must be installed in accordance with the National Electrical Code and all applicable local codes, by a person familiar with the construction and operation of the product, and the hazards involved. Proper grounding is required for safety.

Ce produit doit être installé suivant le code national de l'électricité, ainsi que tous les codes locaux applicables, par une personne familière avec la construction et le fonctionnement du produit, ainsi que tous les risques qui y sont associés. La mise à terre électrique est obligatoire pour la sécurité.

 Wire dimming conductors as Class 1.

 For electrical connections, please refer to the [wiring diagram guide](#).



SINGLE FIXTURE - AIRCRAFT CABLE

1 MAKE ELECTRICAL CONNECTIONS TO MAIN POWER.

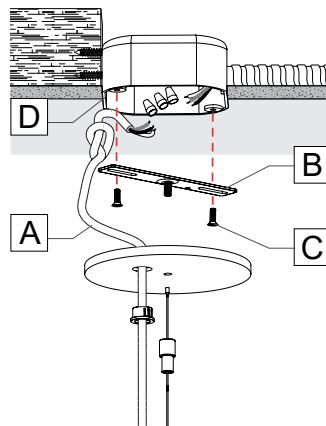
Caution: Make sure the electrical power is turned off.

Locate ceiling mounting points according to the provided client drawings. Make a knot in the power cord [A] and then connect it to the main power.

Secure the crossbar [B] with screws [C] (by others) to the junction box [D].

Note: Number of wires may vary.

Warning: A luminaire with more than one power supply connection means shall be connected to only one branch circuit.



2 INSTALL ALL OF THE CANOPIES.

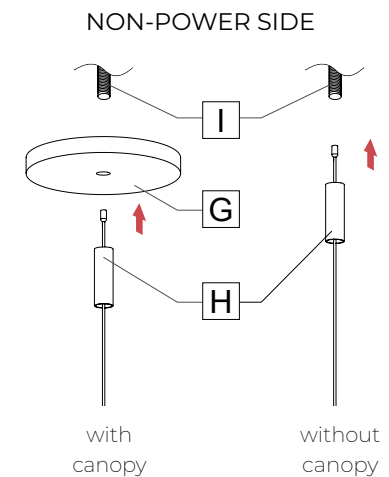
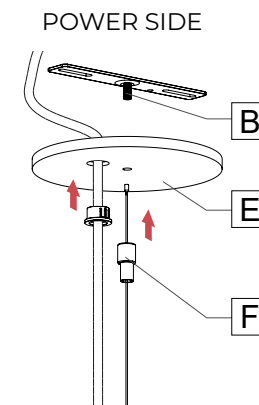
POWER SIDE

Secure the canopy [E] with the slip ring [F] on the crossbar [B].

NON-POWER SIDE

Secure the canopy [G] with the cable coupler [H] on the threaded rod (1/4"-20) [I] (by others).

For non-power side without canopy, secure the cable coupler [H] directly on the threaded rod (1/4"-20) [I] (by others).

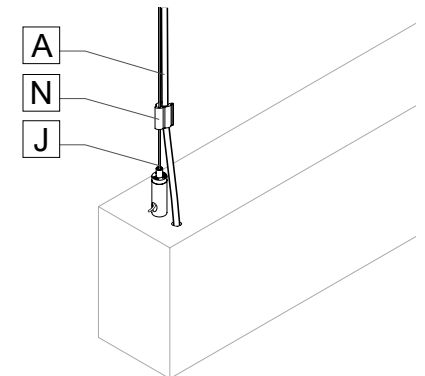
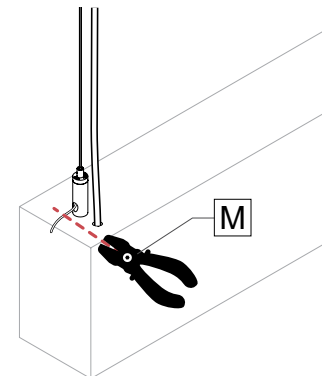
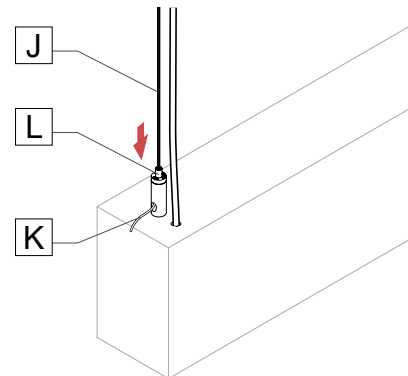


3 INSTALL AIRCRAFT CABLES.

Insert the aircraft cable [J] into the griplock [K]. Adjust the aircraft cable [J] length by pushing the feeder tube [L].

Cut the excess cable with an aircraft cable cutter [M].

Secure the power cord [A] to the aircraft cable [J] with the plastic clip [N].



SQUERO/SQUERO COMBINATION

Pendant

LUMENWERX

SINGLE FIXTURE - STEM

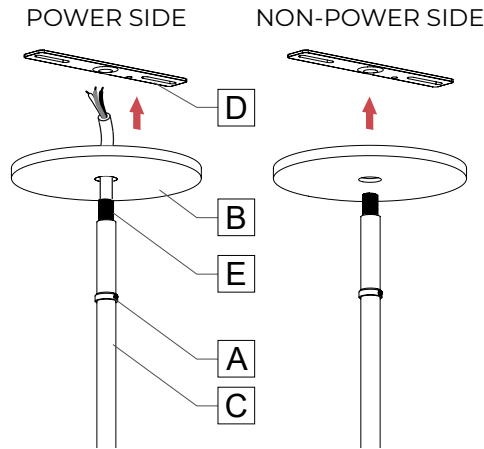
1 INSTALL STEMS TO CANOPIES.

Caution: Make sure the electrical power is turned off.

Locate ceiling mounting points according to the provided client drawings.

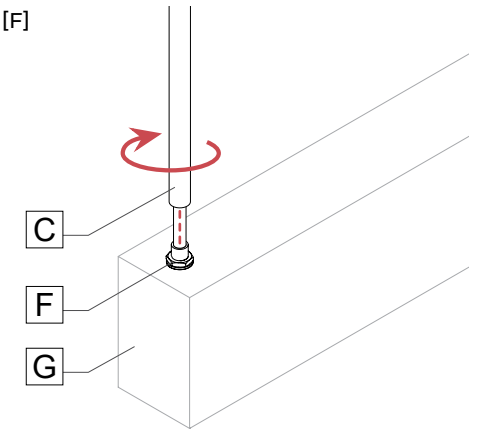
Slide the slip ring [A] and the canopy [B] onto the stem [C] and leave some space.

Screw the crossbar [D] onto the stem's nipple [E].



2 INSTALL STEMS ON FIXTURE.

Screw the stems [C] onto the nipple [F] at the ends of the fixture [G].



3 INSTALL FIXTURE TO CEILING.

POWER SIDE

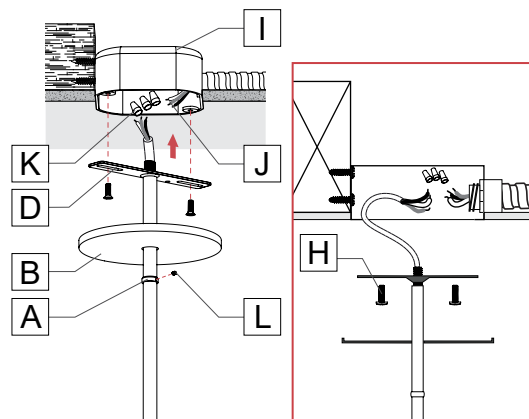
Raise the fixture and tighten the crossbar [D] with screws [H] (by others) to the junction box [I].

Make wire connections to the main power [J] with wire nuts [K] (by others).

Slide the canopy [B] up and tighten with the slip ring [A] with the set screw [L].

Note: Number of wires may vary.

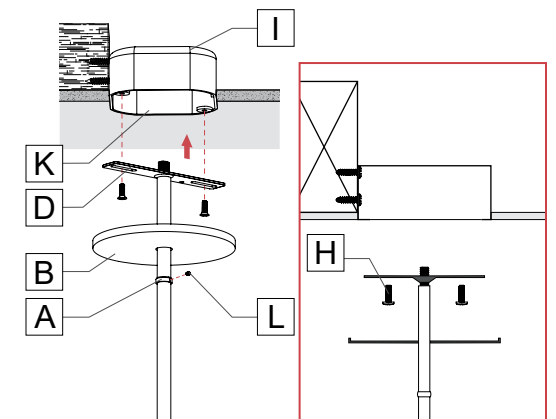
Warning: A luminaire with more than one power supply connection means shall be connected to only one branch circuit.



NON-POWER SIDE

Raise the fixture and tighten the crossbar [D] with screws [H] (by others) to the junction box [I].

Slide the canopy [B] up and tighten the slip ring [A] with the set screw [L].



SQUERO/SQUERO COMBINATION

Pendant

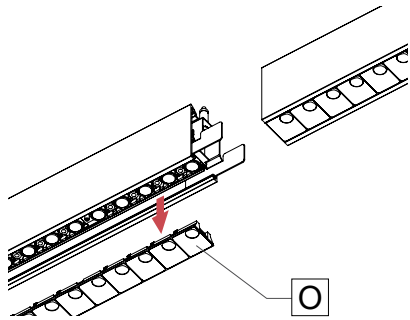
LUMENWERX

CONTINUOUS RUN - AIRCRAFT CABLE & STEM

1 REMOVE OPTICS.

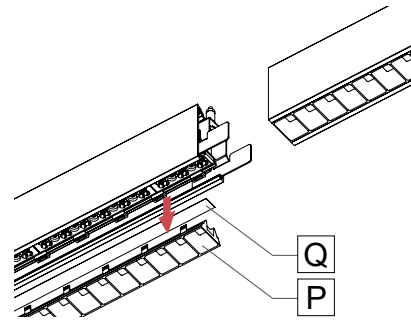
MRO

Remove the louvers [O] from the joining ends of the fixtures in the run.



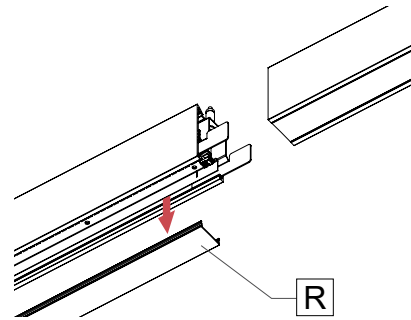
PARABOLIC LOUVER

Remove the parabolic louvers [P] and the films [Q] from the joining ends of the fixtures in the run.



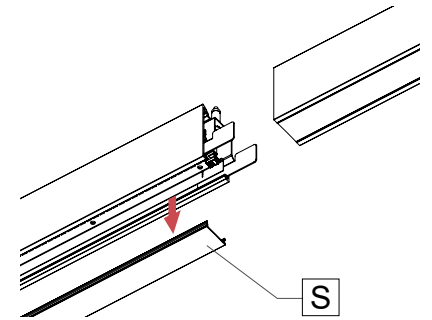
HLO

Remove the lens [R] from the joining ends of the fixtures in the run.



BLANK

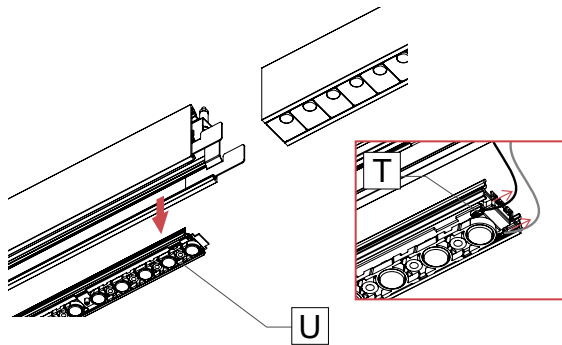
Remove the covers [S] from the joining ends of the fixtures in the run.



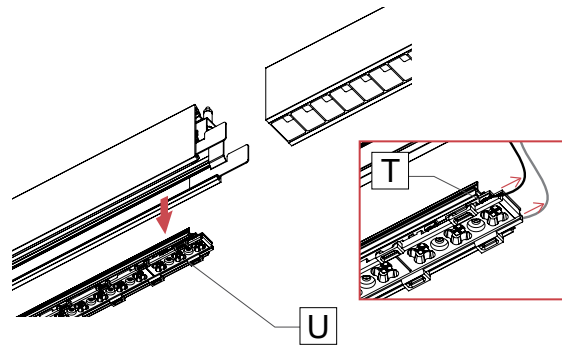
2 DISCONNECT AND REMOVE CARTRIDGES.

Disconnect LED moxex connector [T] by taking a pointed object and pressing on the two tabs on top. Remove the cartridges [U] from the fixture.

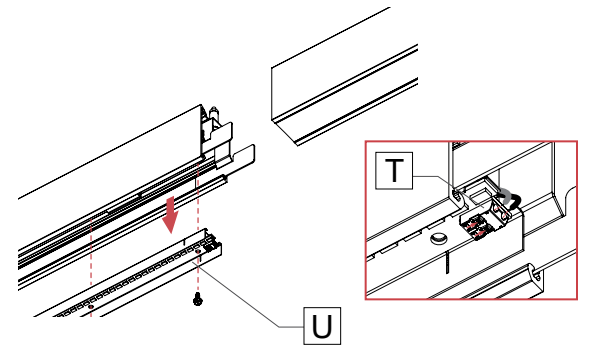
MRO



PARABOLIC LOUVER



HLO



SQUERO/SQUERO COMBINATION

Pendant

LUMENWERX

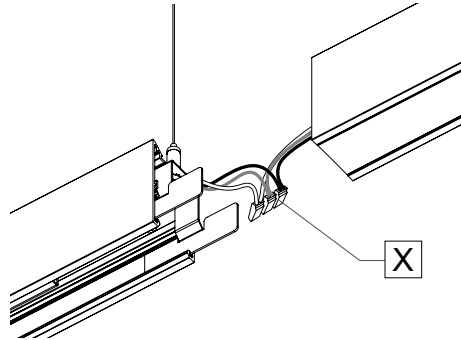
3 INSTALL THE FIXTURES TO THE CEILING BY FOLLOWING ALL THE STEPS FROM THE SINGLE FIXTURE INSTRUCTIONS.

4 CONNECT AND JOIN FIXTURES IN THE RUN.

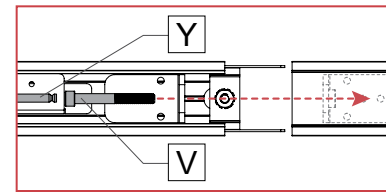
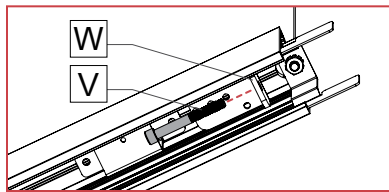
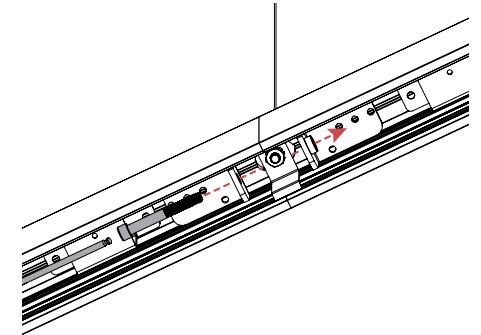
Remove the screw [M] on the joiner [W] and put it in a safe place.

Connect wires between joining fixtures using quick connectors [X]. Push wires inside the fixture.

Note: Number of wires may vary.



Join the fixtures and put the screw back in place. Tighten the screw [M] using the provided 3/16" ball-end screwdriver [Y] to pull the fixtures together.

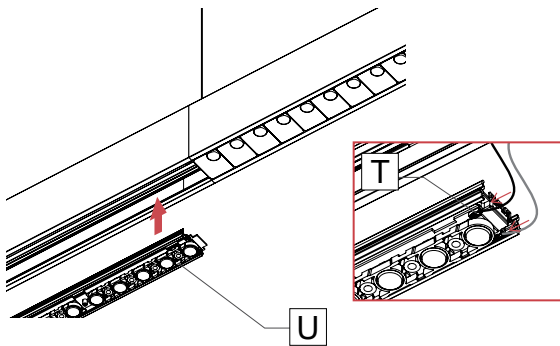


5 REINSTALL CARTRIDGES.

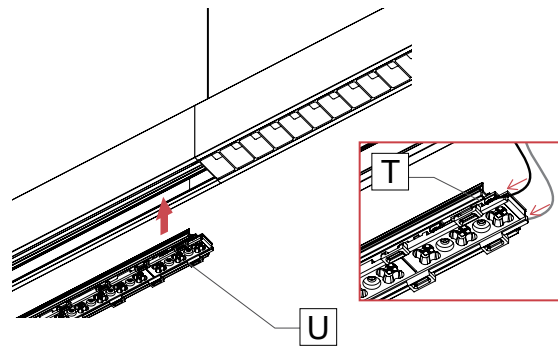
Reinstall the cartridges [U] and reconnect the LED mox connector [T].

Note: Connect the black wire into the negative (-) terminal, and the white wire into the positive (+) terminal.

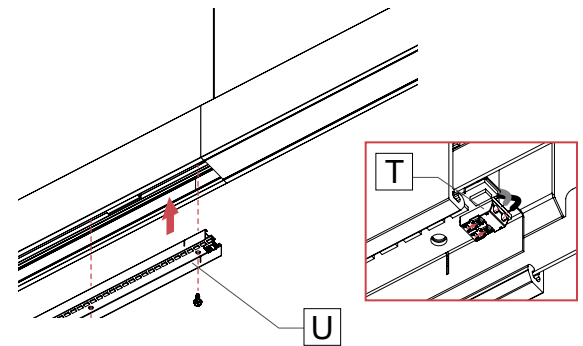
MRO



PARABOLIC LOUVER



HLO



SQUERO/SQUERO COMBINATION

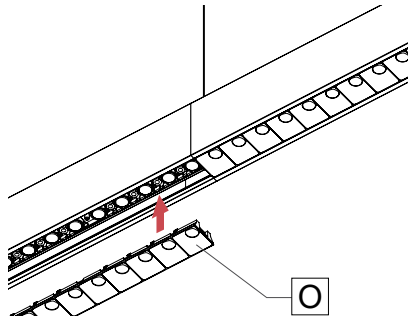
Pendant

LUMENWERX

6 REINSTALL OPTICS.

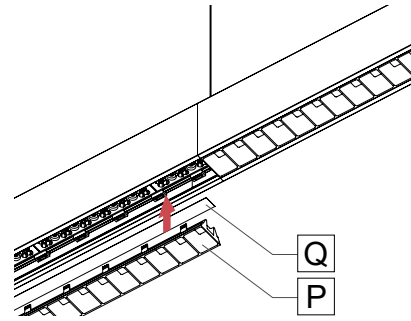
MRO

Put the louvers [O] back in place.



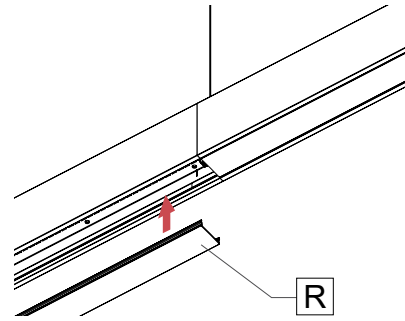
PARABOLIC LOUVER

Put the films [Q] and the parabolic louvers [P] back in place.



HLO

Put the lens [R] back in place.



BLANK

Put the covers [S] back in place.

