


SQUERO/SQUERO COMBINATION


Recessed - Drywall Trim / Trimless

LUMENWERX

 This product must be installed in accordance with the National Electrical Code and all applicable local codes, by a person familiar with the construction and operation of the product, and the hazards involved. Proper grounding is required for safety.

Ce produit doit être installé suivant le code national de l'électricité, ainsi que tous les codes locaux applicables, par une personne familière avec la construction et le fonctionnement du produit, ainsi que tous les risques qui y sont associés. La mise à terre électrique est obligatoire pour la sécurité.

 Wire dimming conductors as Class 1.

 For electrical connections, please refer to the [wiring diagram guide](#).

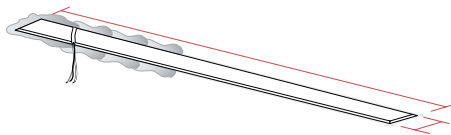


SINGLE FIXTURE

1 PREPARE CEILING OPENING.

Caution: Make sure the electrical power is turned off.

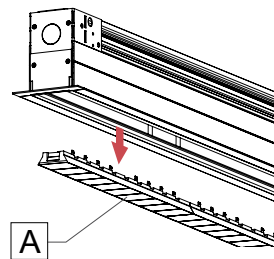
Prepare the area where the fixture is going to be installed. Cut hole in the drywall according to the dimensions [*] given in the client drawings. Tape and finish the edges of the drywall.



2 REMOVE OPTICS.

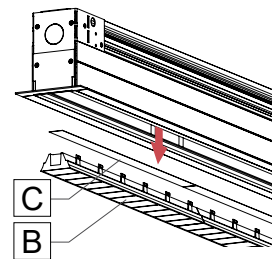
MRO

Remove the louvers [A] from the fixture.



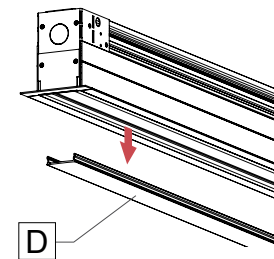
PARABOLIC LOUVER

Remove the parabolic louvers [B] and the films [C] from the fixture.



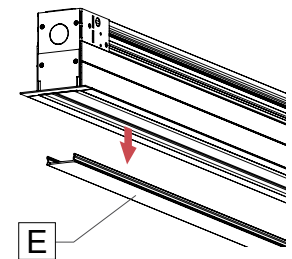
HLO

Remove the lens [D] from the fixture.



BLANK

Remove the covers [E] from the fixture.

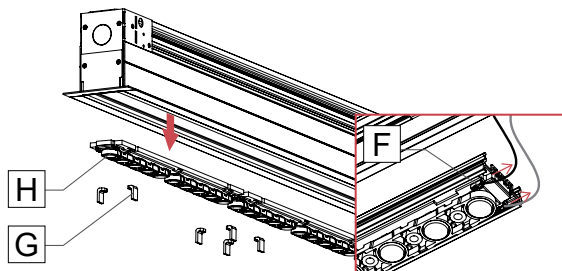


3 DISCONNECT AND REMOVE CARTRIDGES.

Disconnect LED moxex connector [F] by taking a pointed object and pressing on the two tabs on top.

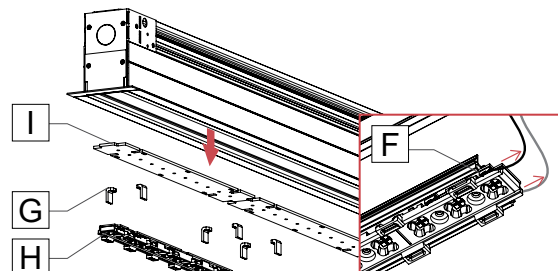
MRO

Remove the L brackets [G] and the cartridges [H] from the fixture.



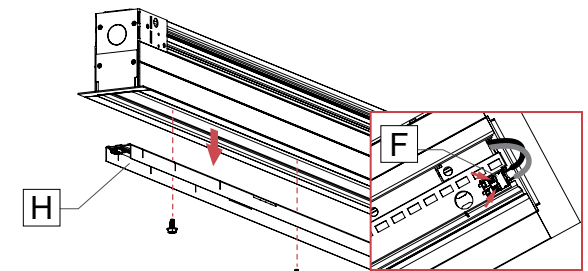
PARABOLIC LOUVER

Remove the cartridges [H], the L brackets [G] and the heatsinks [I] from the fixture.



HLO

Remove the cartridges [H] from the fixture.



SQUERO/SQUERO COMBINATION

Recessed - Drywall Trim / Trimless

LUMENWERX

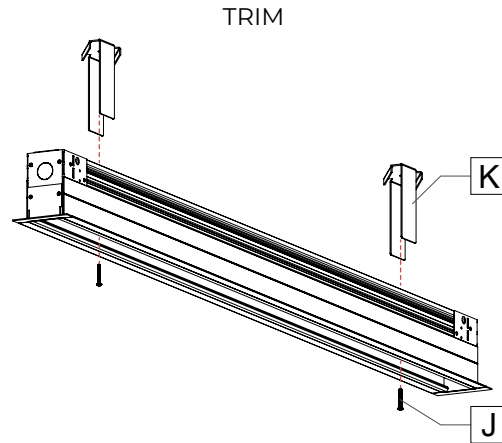
4 FIX BRACKETS TO FIXTURE.

TRIM only

Note: For Trimless, skip to step 5.

Remove the screws [J] from the drywall brackets [K]. Install the drywall brackets [K] on the fixture and secure them by putting the screws [J] back in place.

Make sure the screws are not overtightened and that the drywall brackets [K] don't rotate in place.



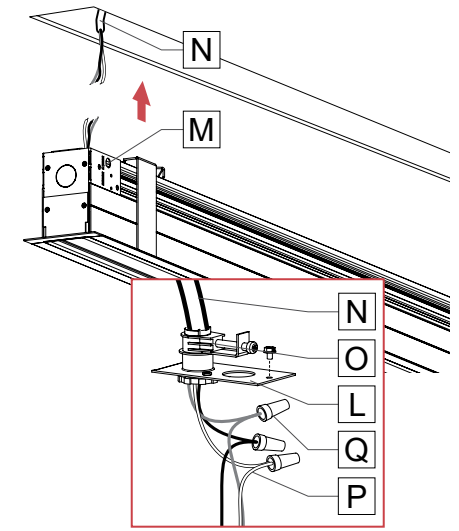
5 MAKE ELECTRICAL CONNECTIONS.

Remove the power plate [L] from the fixture [M]. Pass the main power cable [N] (by others) through the cable connector [O] (by others), and install onto the provided power plate [L].

Make electrical connections between the main power cable [N] and fixture cable [P] using wire nuts [Q] (by others). Reinstall the power plate [L] to the fixture [M].

Note: Number of wires may vary.

Warning: A luminaire with more than one power supply connection means shall be connected to only one branch circuit.



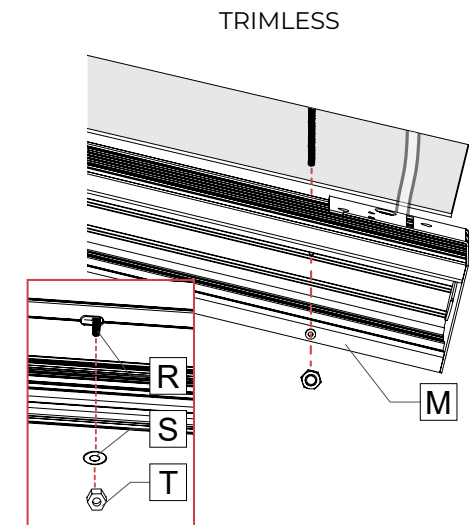
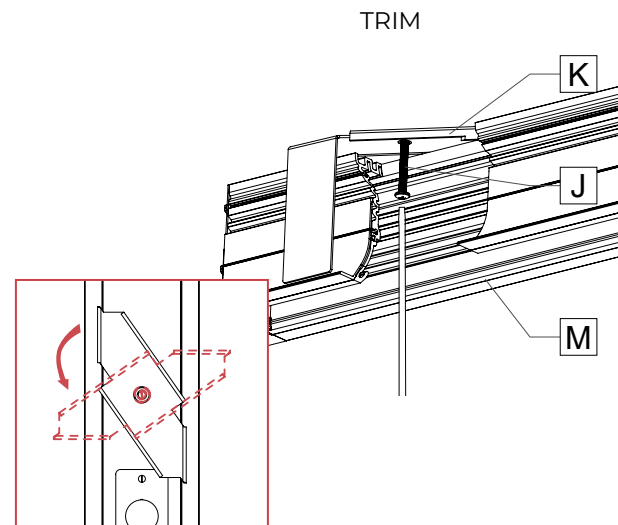
6 FIX FIXTURE TO CEILING.

TRIM

Insert the fixture [M] into the pre-cut hole in the drywall. Tighten the drywall bracket screws [J] to rotate the drywall brackets [K] in place. Tighten the drywall bracket screws [J] again to lock into place.

TRIMLESS

Insert the fixture [M] into the pre-cut hole in the drywall, aligning the threaded rods [R] (by others) with the holes on top of the fixture [M]. Put washers [S] and tighten nuts [T] to secure the fixture [M].



SQUERO/SQUERO COMBINATION

Recessed - Drywall Trim / Trimless

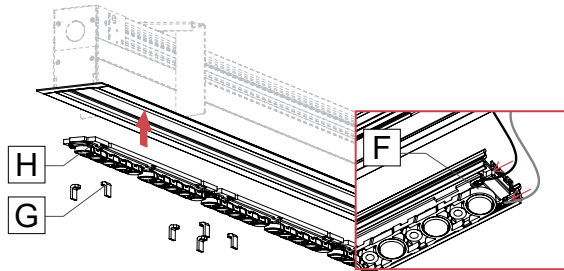
LUMENWERX

7 REINSTALL CARTRIDGES.

MRO

Reinstall the cartridges [H] and the L brackets [G].

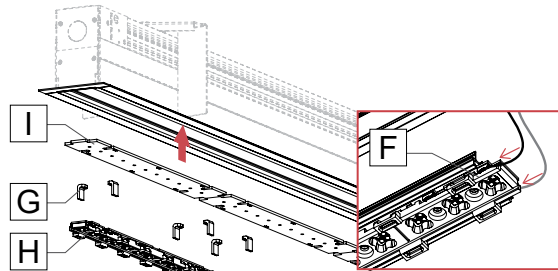
Reconnect the LED molex connector [F].



PARABOLIC LOUVER

Reinstall the heatsinks [I], the L brackets [G] and the cartridges [H].

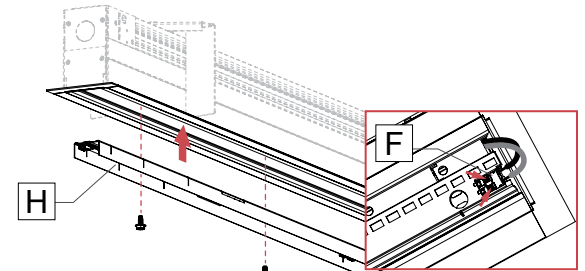
Reconnect the LED molex connector [F].



HLO

Reinstall the cartridges [H].

Reconnect the LED molex connector [F].

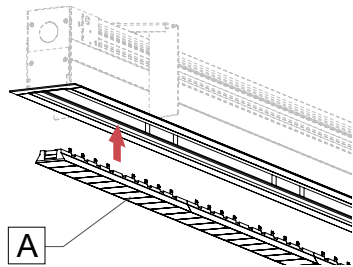


Note: Connect the black wire into the negative (-) terminal, and the white wire into the positive (+) terminal.

8 REINSTALL OPTICS.

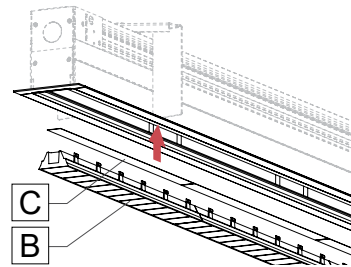
MRO

Put the louvers [A] back in place.



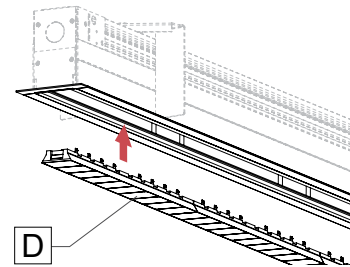
PARABOLIC LOUVER

Put the films [C] and the parabolic louvers [B] back in place.



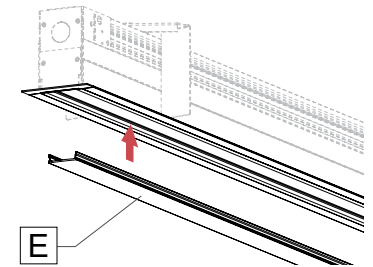
HLO

Put the lens [D] back in place.



BLANK

Put the covers [E] back in place.



SQUERO/SQUERO COMBINATION

Recessed - Drywall Trim / Trimless

LUMENWERX

CONTINUOUS RUN - STEM & CABLE

1 FOR A CONTINUOUS RUN, FOLLOW STEPS **1 - 4** FROM THE SINGLE FIXTURE INSTRUCTIONS FOR ALL FIXTURES IN THE RUN.

2 FOLLOW STEPS **5 - 6** FROM THE SINGLE FIXTURE INSTRUCTIONS FOR THE FIRST FIXTURE, THEN:

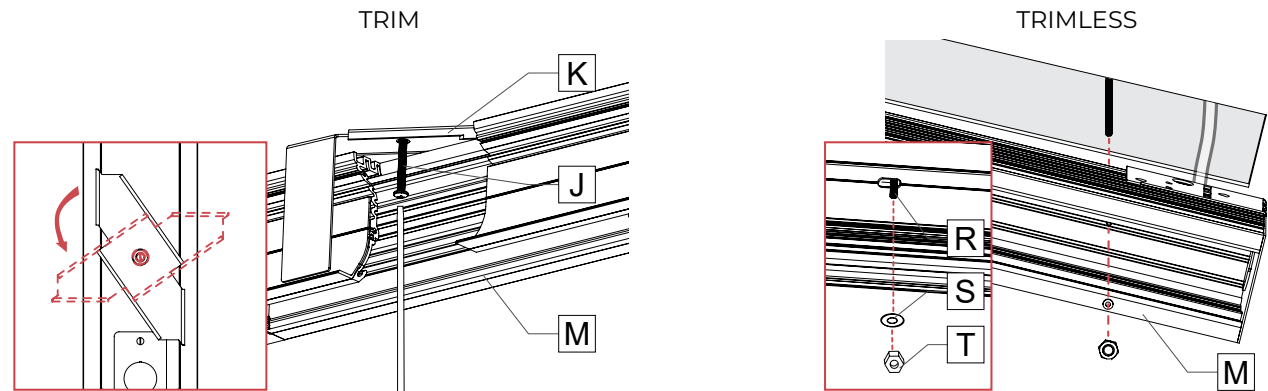
3 FIX THE 2ND FIXTURE TO CEILING.

TRIM

Insert the fixture **[M]** into the pre-cut hole in the drywall. Tighten the drywall bracket screws **[J]** to rotate the drywall brackets **[K]** in place. Tighten the drywall bracket screws **[J]** again to lock into place.

TRIMLESS

Insert the fixture **[M]** into the pre-cut hole in the drywall, aligning the threaded rods **[R]** (by others) with the holes on top of the fixture **[M]**. Put washers **[S]** and tighten nuts **[T]** to secure the fixture **[M]**.

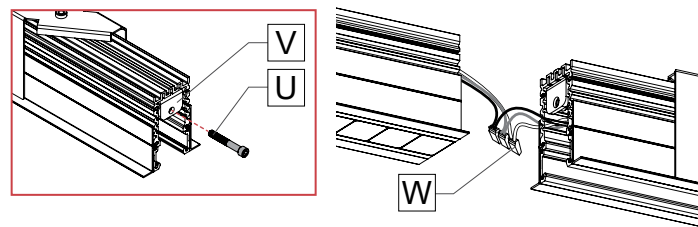


4 CONNECT AND JOIN FIXTURES.

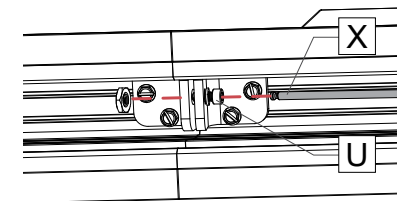
Remove the screw **[U]** on the joiner **[V]** and put it in a safe place.

Connect wires between joining fixtures using quick connectors **[W]**. Push wires inside the fixture.

Note: Number of wires may vary.



Join the fixtures and put the screw back in place. Tighten the screw **[U]** using the provided 3/16" ball-end screwdriver **[X]** to pull the fixtures together.



5 REPEAT THE STEPS **3 - 4** FOR ALL OTHER FIXTURES IN THE RUN.

SQUERO/SQUERO COMBINATION

Recessed - Drywall Trim / Trimless

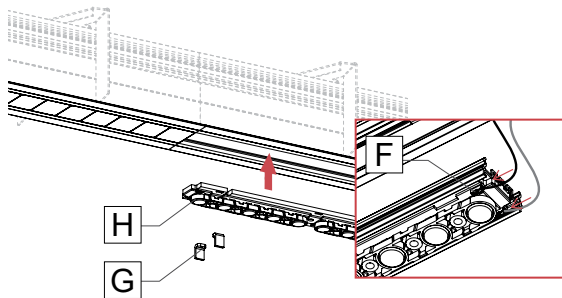
LUMENWERX

6 REINSTALL CARTRIDGES.

MRO

Reinstall the cartridges [H] and the L brackets [G].

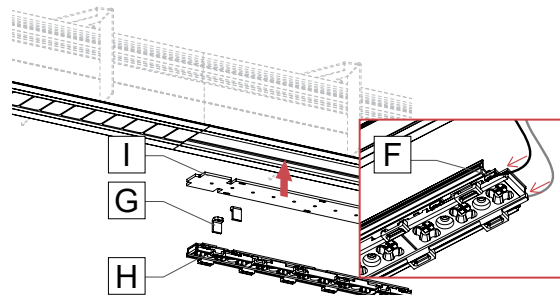
Reconnect the LED molex connector [F].



PARABOLIC LOUVER

Reinstall the heatsinks [I], the L brackets [G] and the cartridges [H].

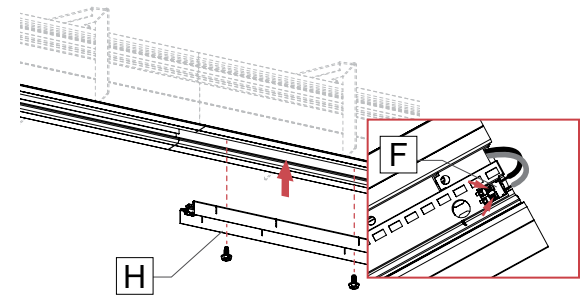
Reconnect the LED molex connector [F].



HLO

Reinstall the cartridges [H].

Reconnect the LED molex connector [F].

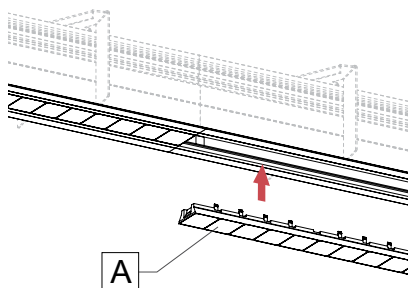


Note: Connect the black wire into the negative (-) terminal, and the white wire into the positive (+) terminal.

7 REINSTALL OPTICS.

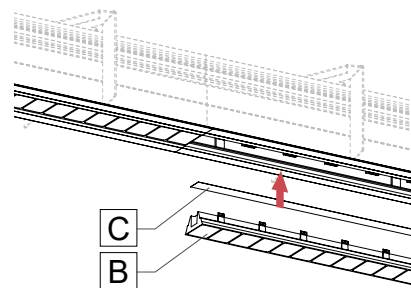
MRO

Put the louvers [A] back in place.



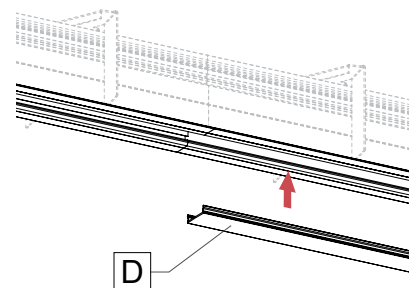
PARABOLIC LOUVER

Put the films [C] and the parabolic louvers [B] back in place.



HLO

Put the lens [D] back in place.



BLANK

Put the covers [E] back in place.

