


# SQUERO/SQUERO COMBINATION


## Wall

# LUMENWERX

 This product must be installed in accordance with the National Electrical Code and all applicable local codes, by a person familiar with the construction and operation of the product, and the hazards involved. Proper grounding is required for safety.

Ce produit doit être installé suivant le code national de l'électricité, ainsi que tous les codes locaux applicables, par une personne familière avec la construction et le fonctionnement du produit, ainsi que tous les risques qui y sont associés. La mise à terre électrique est obligatoire pour la sécurité.

 Wire dimming conductors as Class 1.

 For electrical connections, please refer to the [wiring diagram guide](#).



## SINGLE FIXTURE

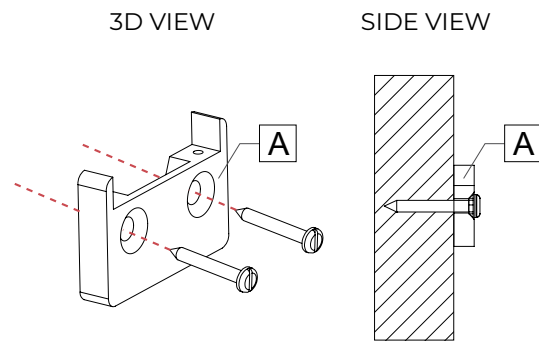
### 1 INSTALL MOUNTING BRACKETS.

**Caution:** Make sure the electrical power is turned off.

Locate wall bracket position using the provided client drawings. Install mounting brackets **[A]** to wall.

Align with structural studs (need double studs - distance between screws is 1.25"), or use metal anchors with a minimum length of 1.25".

Phillips screwdriver required for #10 flat head Phillips screws with a minimum length of 1.25".

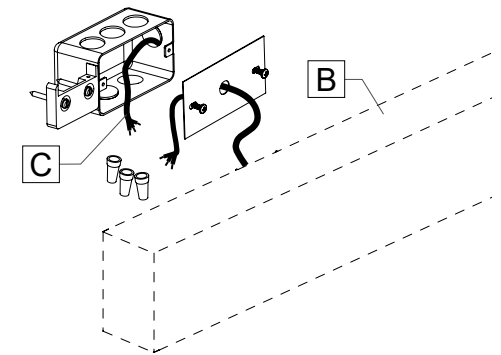


### 2 MAKE ELECTRICAL CONNECTIONS.

Make electrical connections between the fixture **[B]** and the main power **[C]**.

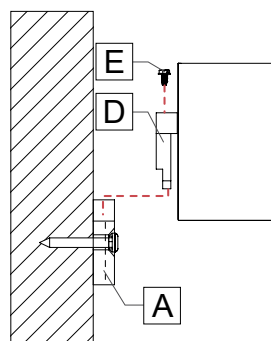
**Note:** Number of wires may vary.

**Warning:** A luminaire with more than one power supply connection means shall be connected to only one branch circuit.



### 3 INSTALL FIXTURE ON WALL.

Insert fixture bracket **[D]** into wall mounting bracket **[A]** and secure in place with provided screws **[E]**.



# SQUERO/SQUERO COMBINATION

Wall

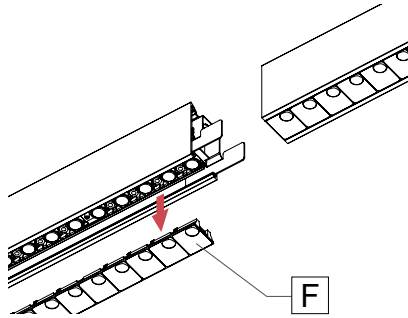
LUMENWERX

## CONTINUOUS RUN

### 1 REMOVE OPTICS.

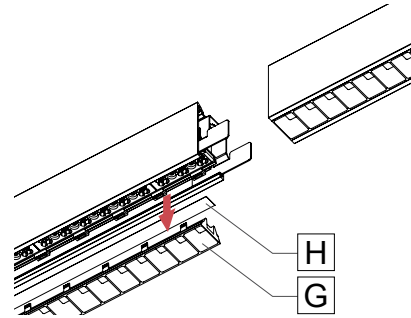
#### MRO

Remove the louvers [F] from the joining ends of the fixtures in the run.



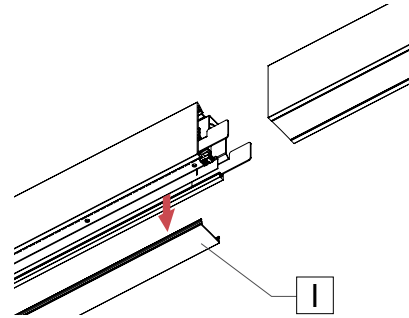
#### PARABOLIC LOUVER

Remove the parabolic louvers [G] and the films [H] from the joining ends of the fixtures in the run.



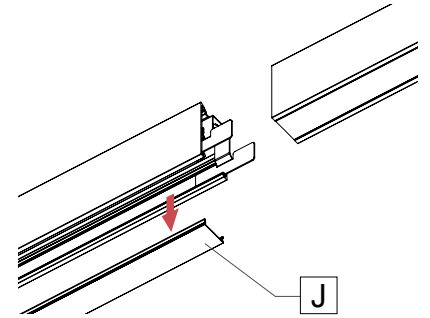
#### HLO

Remove the lens [I] from the joining ends of the fixtures in the run.



#### BLANK

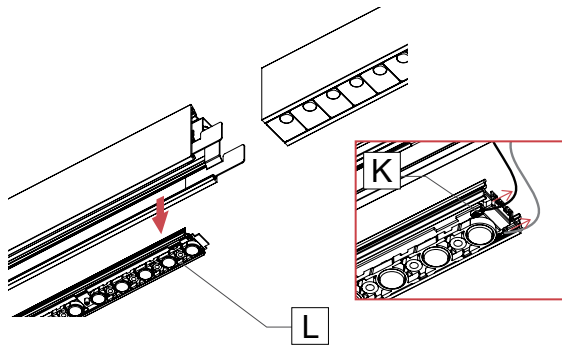
Remove the covers [J] from the joining ends of the fixtures in the run.



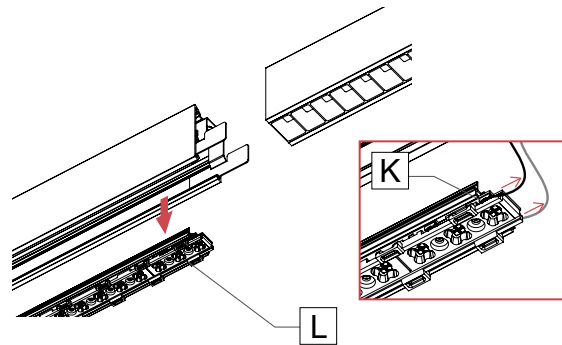
### 2 DISCONNECT AND REMOVE CARTRIDGES.

Disconnect LED molex connector [K] by taking a pointed object and pressing on the two tabs on top. Remove the cartridges [L] from the fixture.

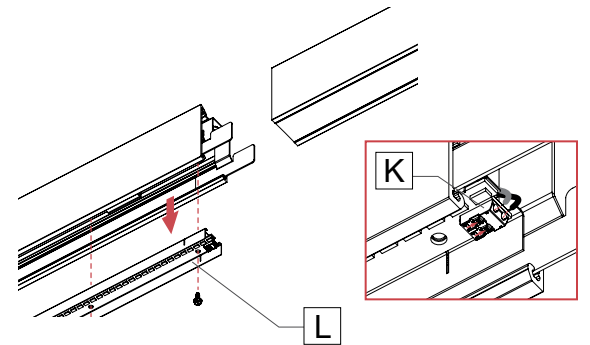
#### MRO



#### PARABOLIC LOUVER



#### HLO



# SQUERO/SQUERO COMBINATION

Wall

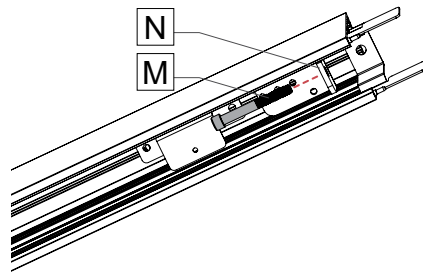
# LUMENWERX

**3** FOLLOW STEPS **1** FROM THE SINGLE FIXTURE INSTRUCTIONS FOR ALL FIXTURES IN THE RUN.

**4** FOLLOW STEPS **2-3** FROM THE SINGLE FIXTURE INSTRUCTIONS FOR THE FIRST FIXTURE, THEN:

**5** REMOVE SCREW FROM JOINER. ....

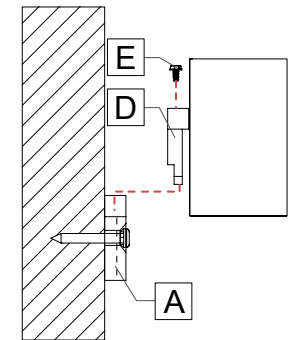
Remove the screw **[M]** on the joiner **[N]** and put it in a safe place.



**6** INSERT 2<sup>ND</sup> FIXTURE ONTO WALL BRACKETS. ....

Align the fixtures. Insert the second fixture bracket **[D]** into wall bracket **[A]** and secure in place with supplied screws **[E]**.

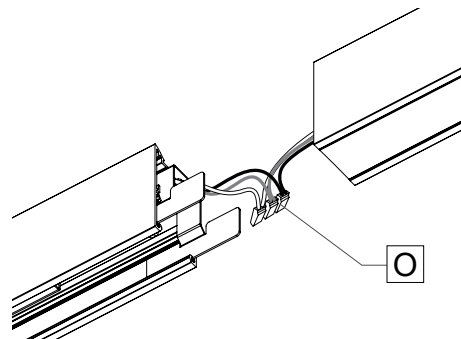
**Note:** Do not overtighten.



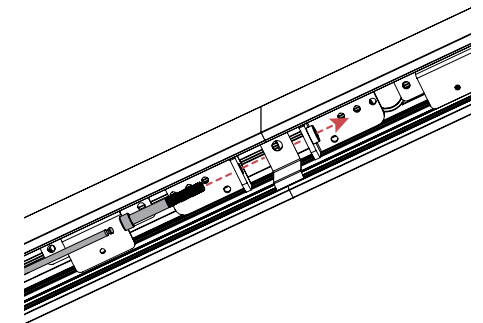
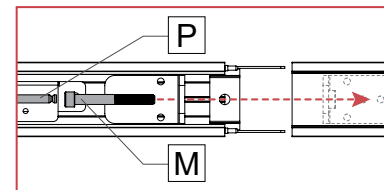
**7** CONNECT AND JOIN FIXTURES. ....

Connect wires between joining fixtures using quick connectors **[O]**. Push wires inside the fixture.

**Note:** Number of wires may vary.



Join the fixtures and put the screw back in place. Tighten the screw **[M]** using the provided 3/16" ball-end screwdriver **[P]** to pull the fixtures together.



# SQUERO/SQUERO COMBINATION

Wall

LUMENWERX

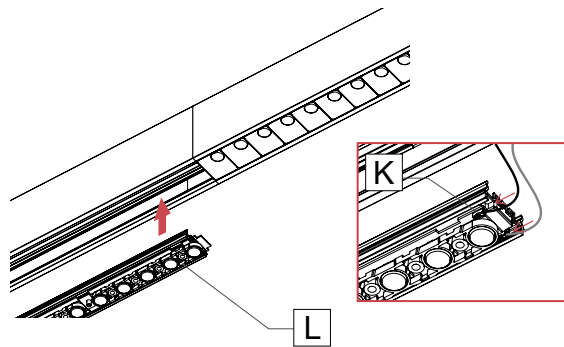
**8** REPEAT THE STEPS **5-7** FOR ALL OTHER FIXTURES IN THE THE RUN.  
THEN, TIGHTEN ALL SCREWS ON MOUNTING BRACKETS.

**9** REINSTALL CARTRIDGES.

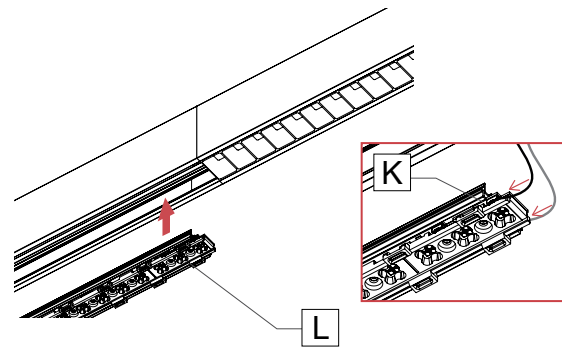
Reinstall the cartridges **[L]** and reconnect the LED molex connector **[K]**.

**Note:** Connect the black wire into the negative (-) terminal, and the white wire into the positive (+) terminal.

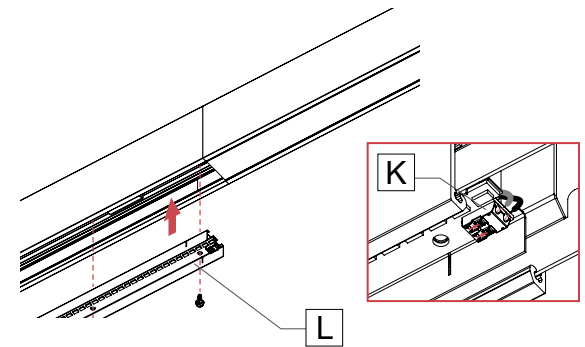
**MRO**



**PARABOLIC LOUVER**



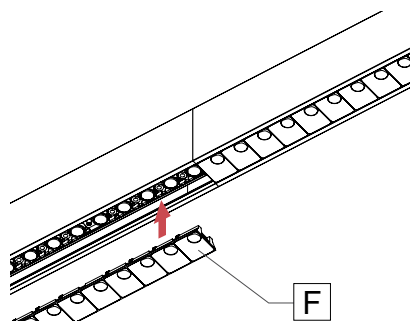
**HLO**



**10** REINSTALL OPTICS.

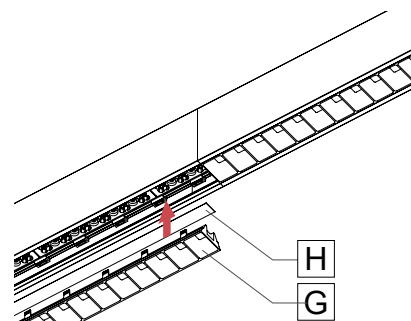
**MRO**

Put the louvers **[F]** back in place.



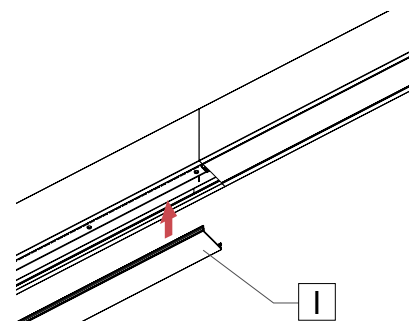
**PARABOLIC LOUVER**

Put the films **[H]** and the parabolic louvers **[G]** back in place.



**HLO**

Put the lens **[I]** back in place.



**BLANK**

Put the covers **[J]** back in place.

