



This product must be installed in accordance with the National Electrical Code and all applicable local codes, by a person familiar with the construction and operation of the product, and the hazards involved. Proper grounding is required for safety.

Ce produit doit être installé suivant le code national de l'électricité, ainsi que tous les codes locaux applicables, par une personne familière avec la construction et le fonctionnement du produit, ainsi que tous les risques qui y sont associés. La mise à terre électrique est obligatoire pour la sécurité.



Wire dimming conductors as Class 1.



Fixtures with an output of 1000 lm/ft or higher must not be installed in IC conditions.

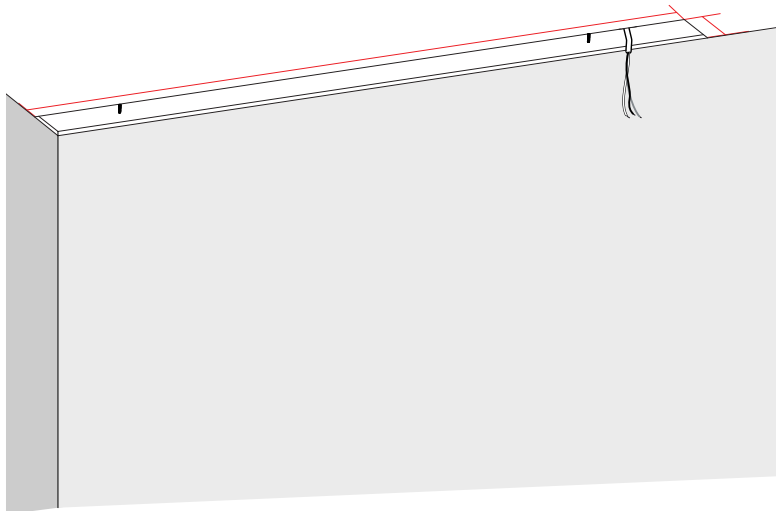


Fixtures shown with shallow depth option.

## SINGLE FIXTURE

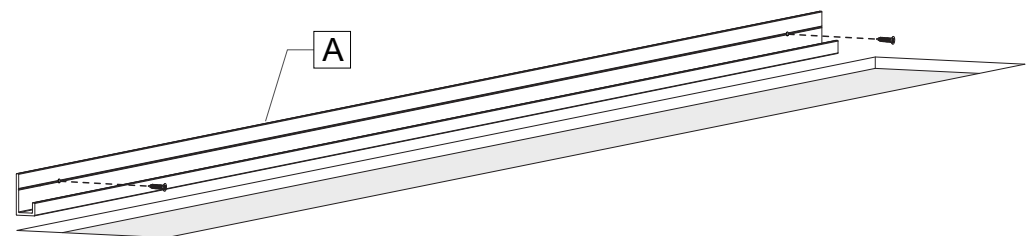
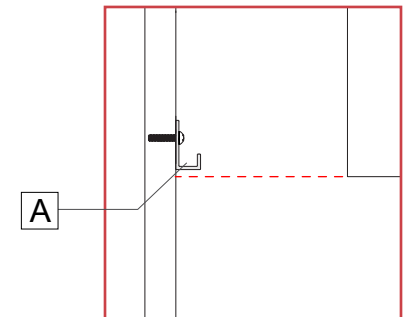
### 1. PREPARE THE CEILING.

Prepare the area and mark the mounting point location where the fixture is going to be installed according to the dimensions [M] in the client drawings.



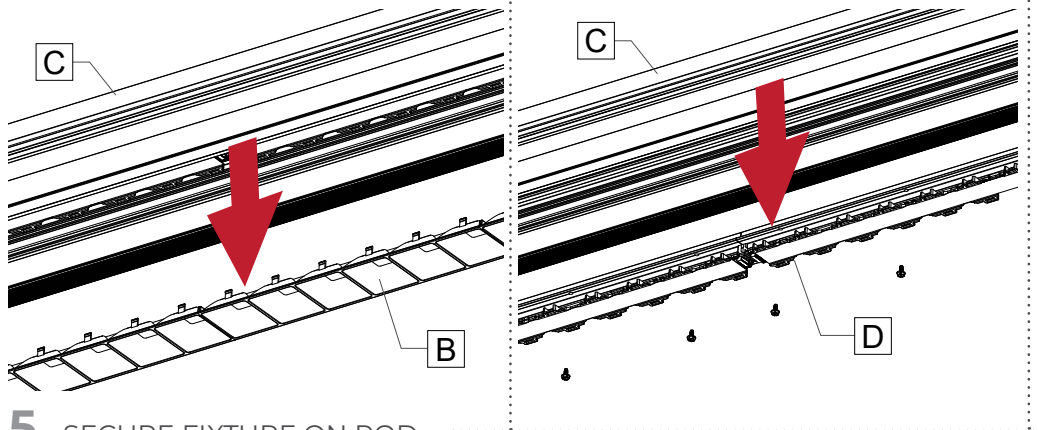
### 2. INSTALL THE J-BAR.

Locate the J-Bar [A] position using provided client drawing. Install wall bracket to wall. Align with structural stud or use drywall anchors when needed.



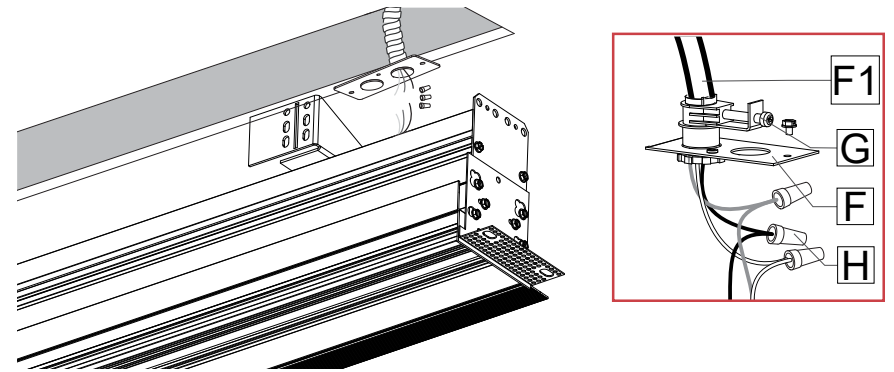
### 3. REMOVE LOUVERS & CARTRIDGE..

Remove louvers or the HLO [B] from the fixture [C]. Disconnect LED moxex connector [E] by taking a pointed object and pressing on the two tabs on the top. Then remove the cartridge [D] from the fixture. **Cartridge may vary.**



### 4. CONNECT THE BX CABLE.

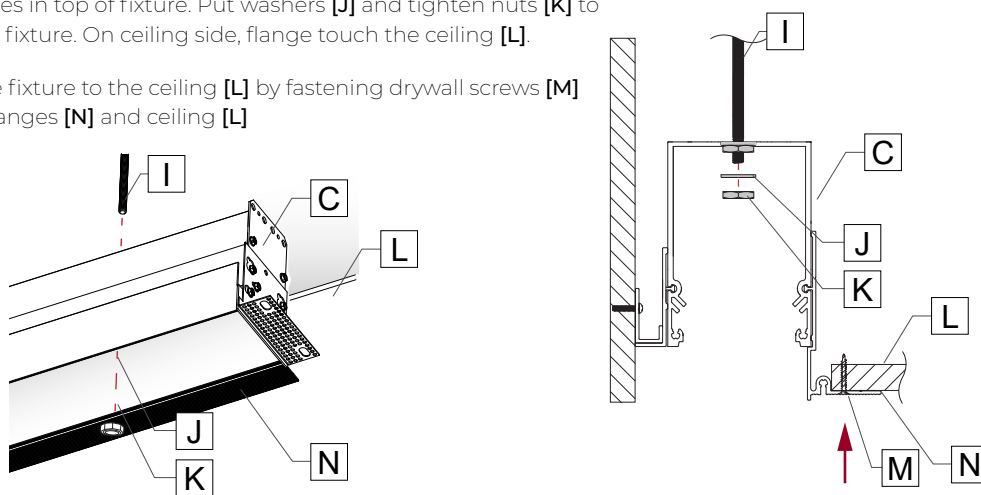
Remove the power plate [F] from the fixture. Install the power cable [F1] (by others) through the BX connector [G] (by others) and install onto the power plate [F] provided. Make electrical connections between power cable [F1] and fixture cable using wire nuts [H]. Reinstall the power plate [F] to the fixture. **Number of wires may vary. Warning: Power must come from single branch circuit.**



### 5. SECURE FIXTURE ON ROD.

Insert fixture [C] into pre-cut hole in drywall, aligning threaded rods [I] with holes in top of fixture. Put washers [J] and tighten nuts [K] to secure the fixture. On ceiling side, flange touch the ceiling [L].

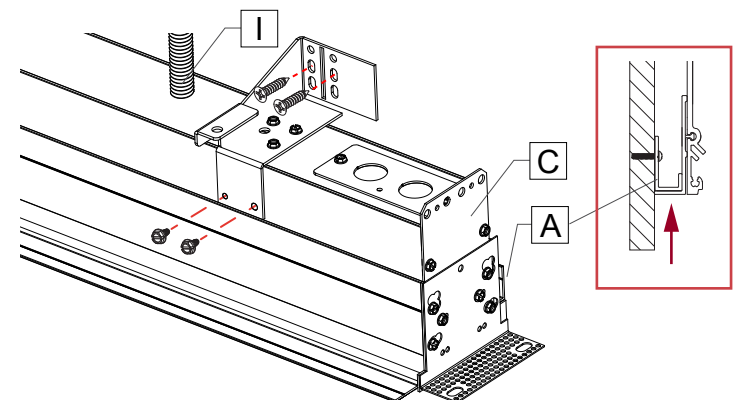
Secure the fixture to the ceiling [L] by fastening drywall screws [M] through flanges [N] and ceiling [L].



### 6. ADJUST & SECURE THE FIXTURE

**OPTIONAL: Unfinished ceiling only**

Adjust the fixture [C] to the threaded rods [I]. On wall side, the fixture [C] must touch the J-Bar [A]. Secure the fixture to the wall.

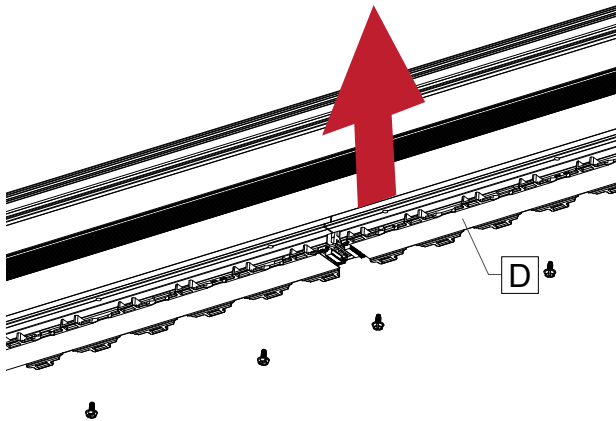
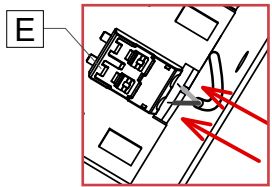


# UBIK

## Perimeter - Drywall Mud Flange

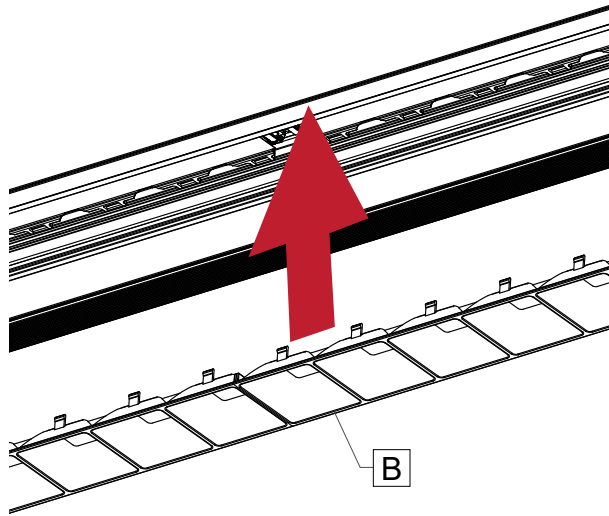
### 7. REINSTALL CARTRIDGE .

Reconnect the LED mox connector to the cartridge [E]. Reinstall the cartridge [D] by using a screw with plastic washer. **Do not apply too much pressure.**



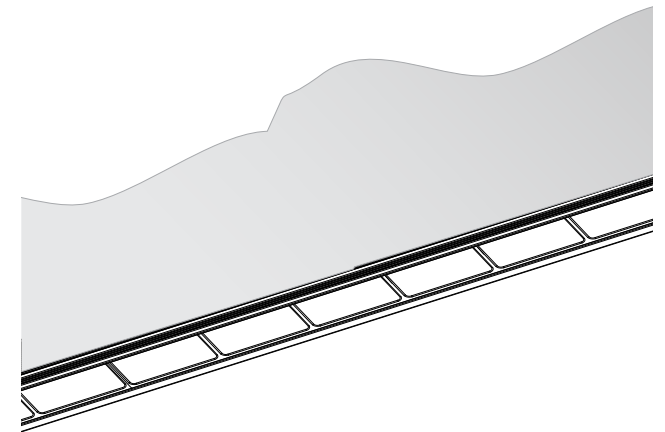
### 8. REINSTALL LOUVERS.

Reinstall the louvers or HLO lens [B].



### 9. PLASTER OVER MUD FLANGE & FINISH.

Plaster and sand over mud flange to create a smooth finish. When it's a flush lens, remove gently the plastic cover on the lens.

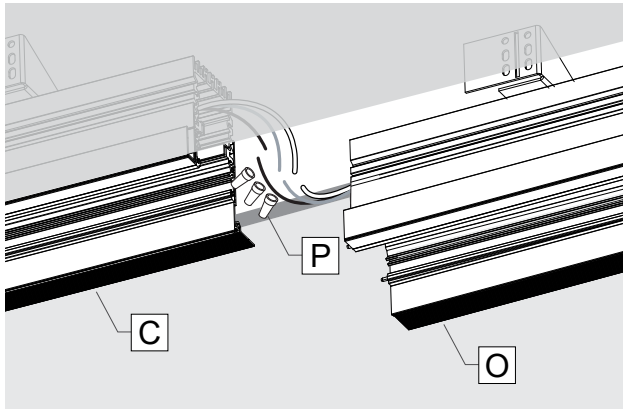


### CONTINUOUS RUN

**1.** FOR CONTINUOUS RUN, REPEAT STEPS 1 - 10 FROM THE SINGLE FIXTURE SECTION FOR THE FIRST FIXTURE IN THE RUN, THEN:

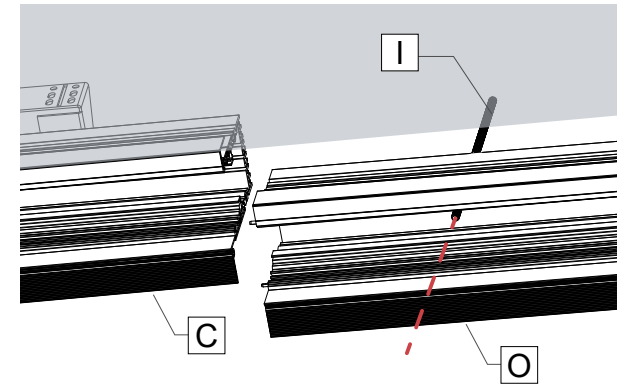
**2.** MAKE ELECTRICAL CONNECTIONS.

Make the wire connections between the first two sections [C] and [O] using quick connectors [P]. Number of wires may vary.



**3.** SECURE FIXTURE ON ROD.

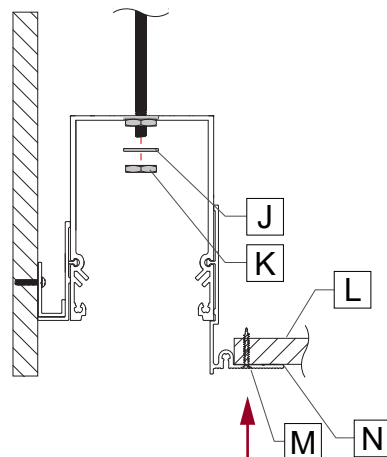
Insert the second fixture [O] into pre-cut hole in drywall, aligning threaded rods [I] with holes in top of fixture and with the first fixture [C] with aligning brackets.



**4.** SECURE FIXTURE ON ROD.

Put washers [J] and tighten nuts [K] to secure the fixture.

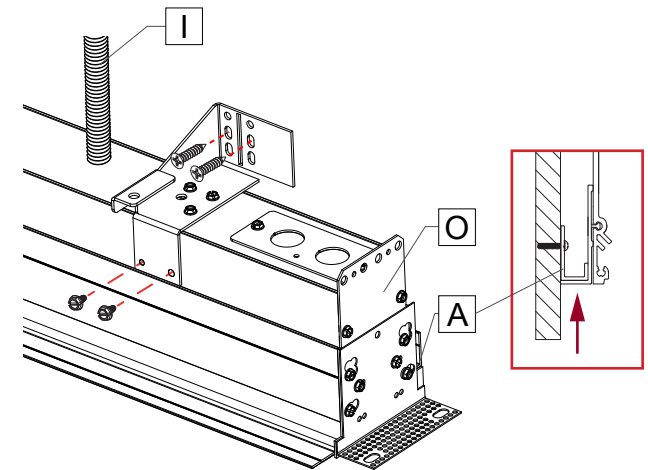
Secure the fixture to the ceiling [L] by fastening drywall screws [M] through flanges [N] and ceiling [L]



**5.** ADJUST & SECURE THE FIXTURE.

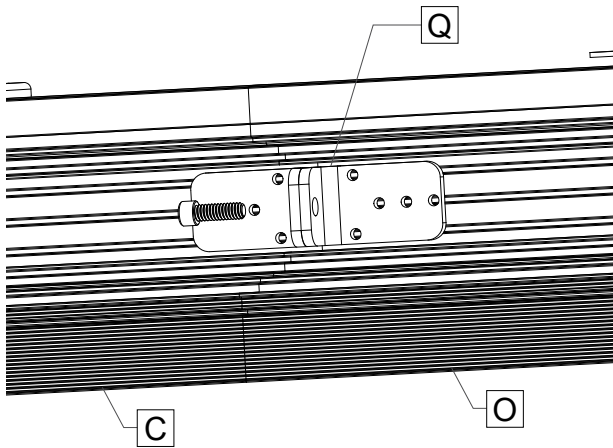
**OPTIONAL:**  
Unfinished ceiling only

Adjust the fixture to the threaded rods [I]. On wall side, the fixture [O] must touch the J-Bar [A]. Secure the fixture to the wall.



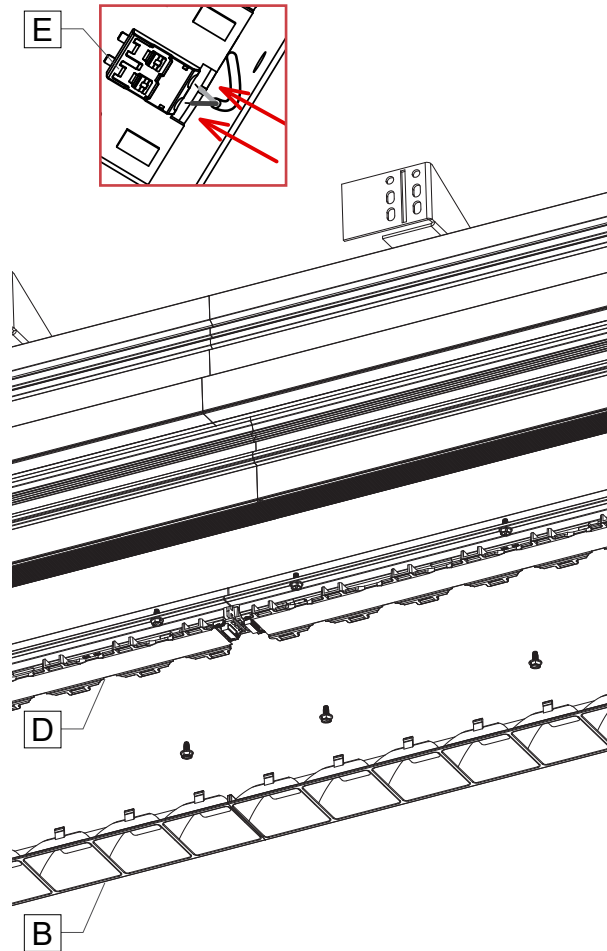
### 6. JOIN THE FIXTURES.

Slide the fixture [O] to the fixture [C]. Attach the two fixtures by fastening the screws on the joiners [Q].



### 7. REINSTALL CARTRIDGE AND LOUVERS.

Reconnect the LED moxex connector to the cartridges [E] correctly. Reinstall the cartridges [D] by using a screw with plastic washer. Do not apply too much pressure. Reinstall the louvers or HLO [B] on all the fixtures.



### 8. PLASTER OVER MUD FLANGE & FINISH.

Plaster and sand over mud flange [N] to create a smooth finish. When it's a flush lens, remove gently the plastic cover on the lens.

