



This product must be installed in accordance with the National Electrical Code and all applicable local codes, by a person familiar with the construction and operation of the product, and the hazards involved. Proper grounding is required for safety.

Ce produit doit être installé suivant le code national de l'électricité, ainsi que tous les codes locaux applicables, par une personne familière avec la construction et le fonctionnement du produit, ainsi que tous les risques qui y sont associés. La mise à terre électrique est obligatoire pour la sécurité.



Wire dimming conductors as Class 1.



Fixtures with an output of 1000 lm/ft or higher must not be installed in IC conditions.

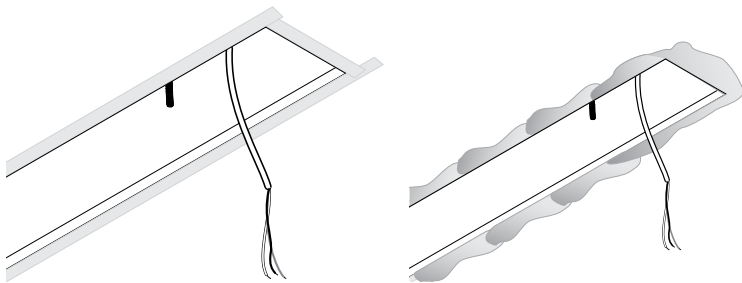
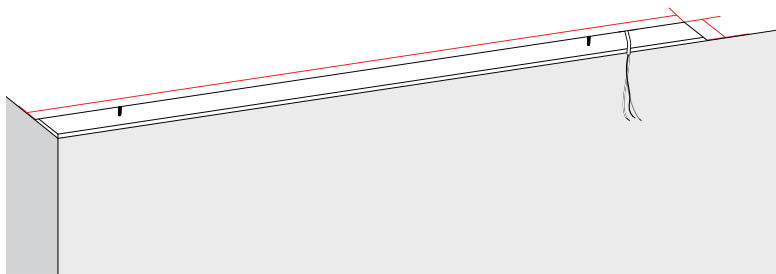


Fixtures shown with trimless shallow depth option.

SINGLE FIXTURE

1 PREPARE THE CEILING.

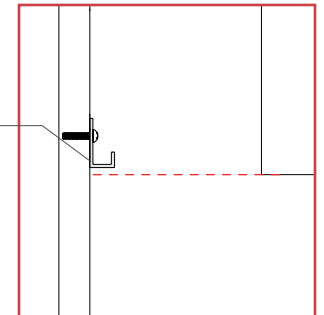
Prepare the area and mark the mounting point location where the fixture is going to be installed according to the dimensions [M] in the client drawings. Tape and finish the edges of the drywall.



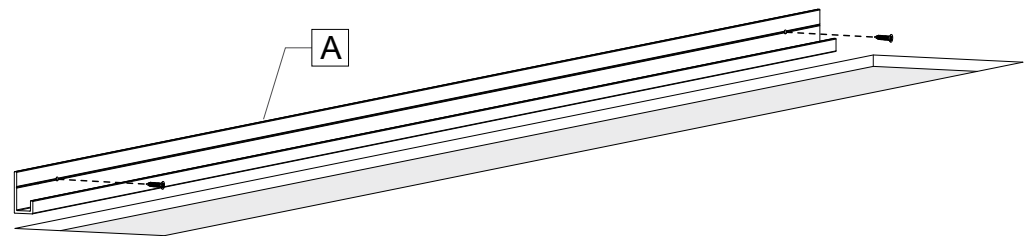
2 INSTALL THE J-BAR.

Locate the J-Bar [A] position using provided client drawing. Install wall bracket to wall. Align with structural stud or use drywall anchors when needed.

A



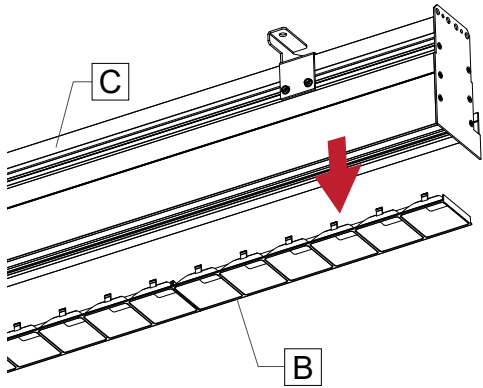
A



3 REMOVE OPTICS

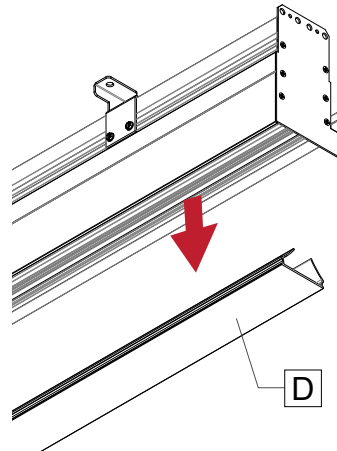
PARABOLIC

Remove louvers [B] from the fixture [C].



HLO

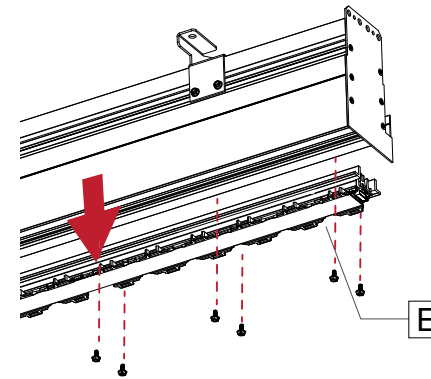
Remove the HLO lenses [D].



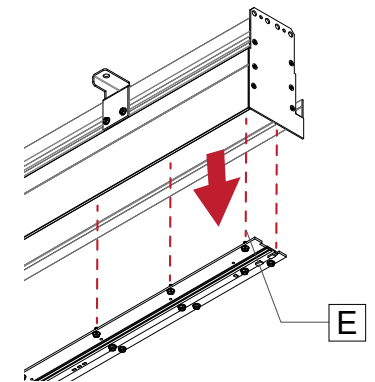
4 UNSCREW CARTRIDGE.

Unscrew and remove the cartridge [E] from the fixture.

PARABOLIC



HLO



5 DISCONNECT AND REMOVE CARTRIDGES.

HLO

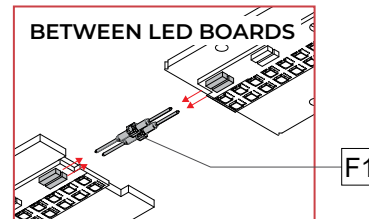
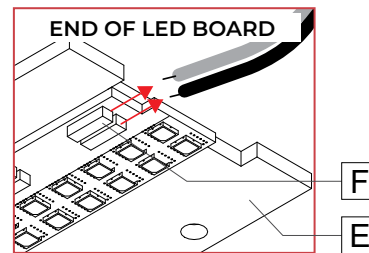
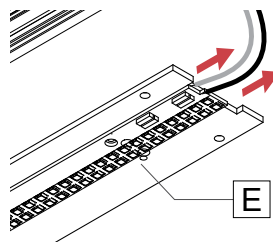
Disconnect the cartridges [E] by pulling out the wires. Remove the cartridges [E].

PARABOLIC

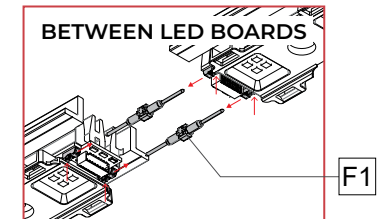
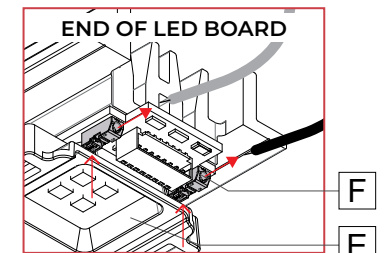
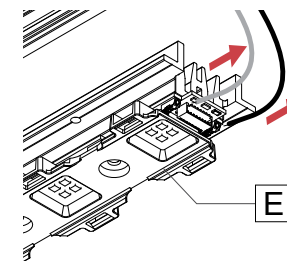
Disconnect the cartridges [E] by pressing on the two tabs on the top of the LED molex connector [F] with a pointed object, and pull out the wires. Remove the cartridges [E].

NOTE: Between LED boards, disconnect by pulling the bridge [F1].

HLO



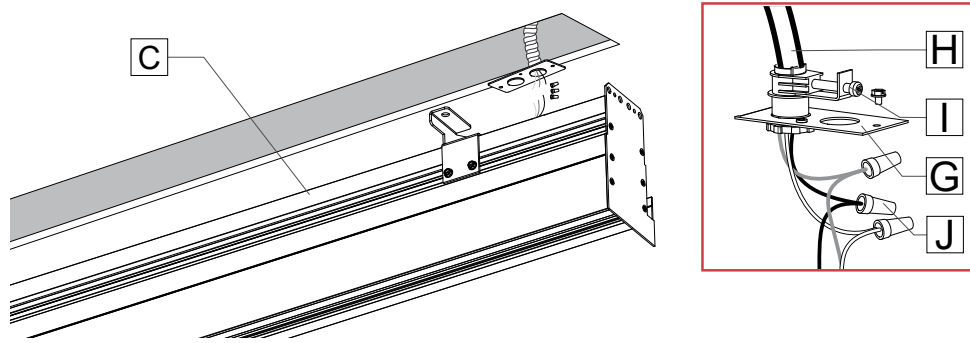
PARABOLIC



6 CONNECT THE BX CABLE

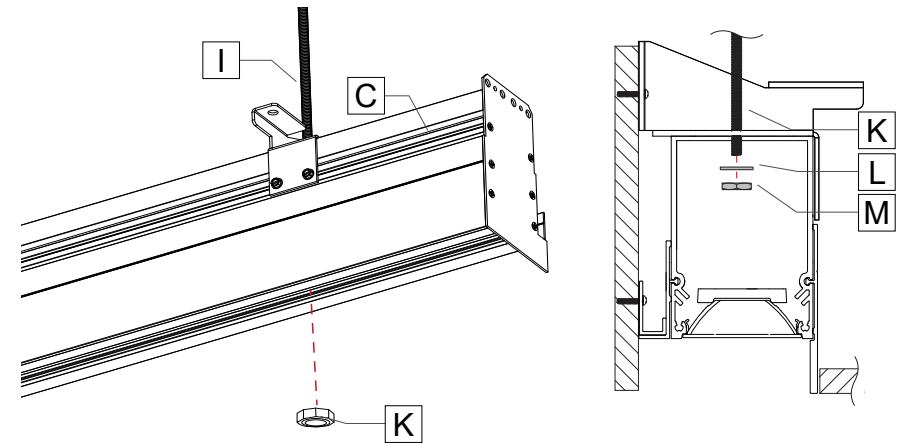
Remove the power plate [G] from the fixture [C]. Install power cable [H] (by others) through the BX connector [I] (by others) and install onto the power plate [G] provided. Make electrical connections between power cable [H] and fixture cable using wire nuts [J]. Reinstall the power plate to the fixture [C]. **Number of wires may vary.**

Warning: Power must come from single branch circuit.



7 FIX FIXTURE ON ROD

Insert fixture [C] into pre-cut hole in drywall, aligning threaded rods [K] with holes in top of fixture [C]. Put washers [L] and tighten nuts [M] to secure the fixture [C].

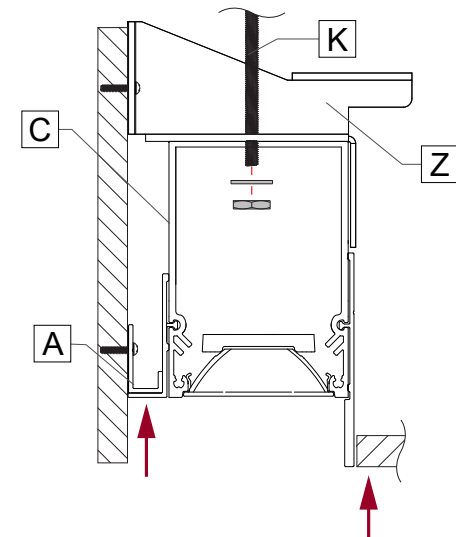
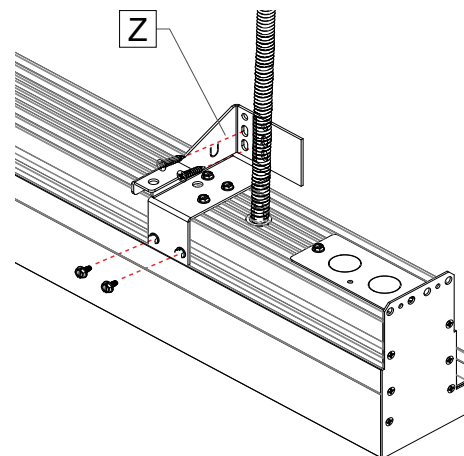


8 SECURE THE FIXTURE

Adjust the fixture [C] to the threaded rods [K]. On wall side, the fixture [C] must touch the J-Bar [A]

For extra support, use the supply wall bracket [Z] to fix the fixture [C] to the wall.

1. Screw the bracket [Z] to the fixture.
2. Screw the fixture [C] with the bracket to the wall.



10 RECONNECT CARTRIDGES.

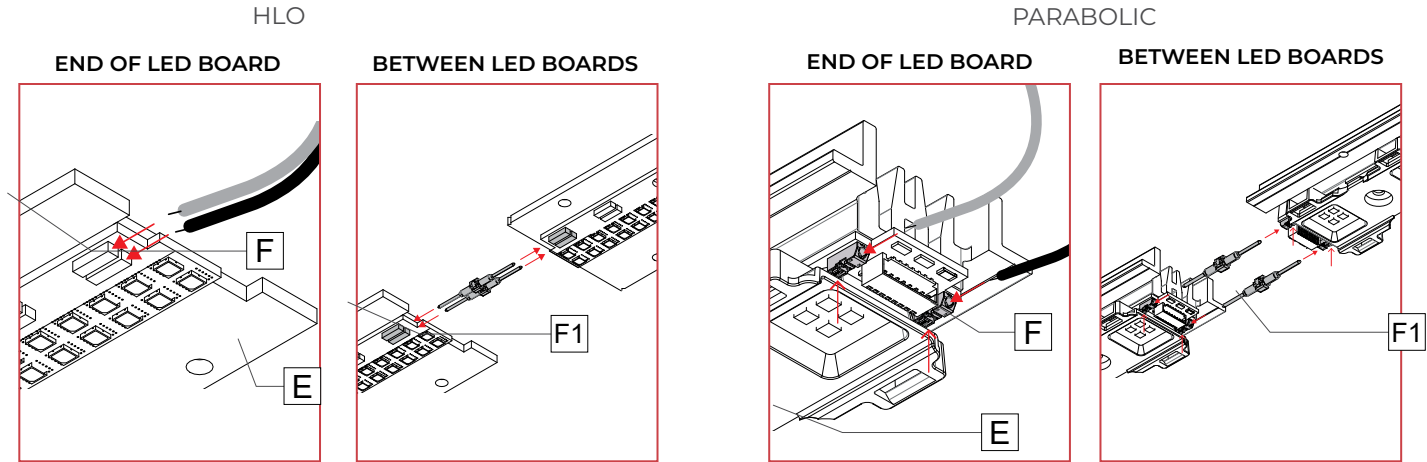
HLO

Reconnect the cartridges [E] by pushing the wires into the LED molex connector [F].

PARABOLIC

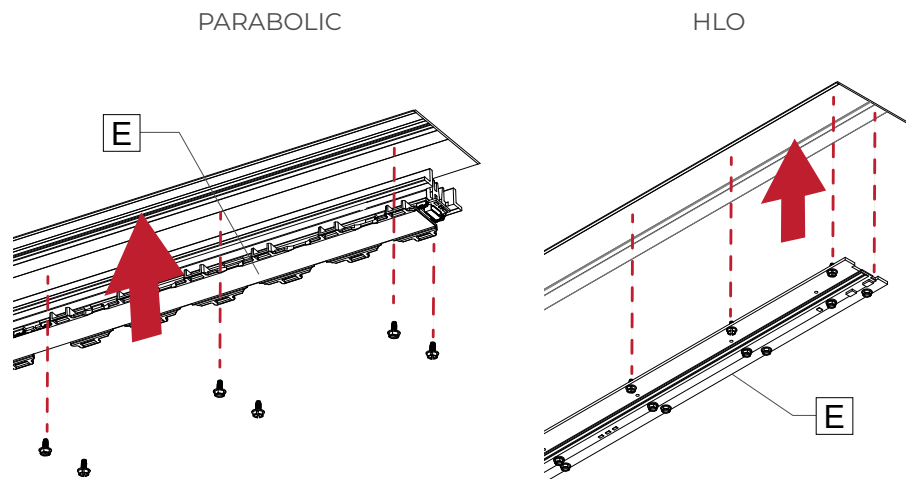
Reconnect the cartridges [E] by pressing on the two tabs on the top of the LED molex connector [F] with a pointed object, and push in the wires.

NOTE: Between LED boards, use the bridge [F1] to make connection.



8. REINSTALL CARTRIDGE.

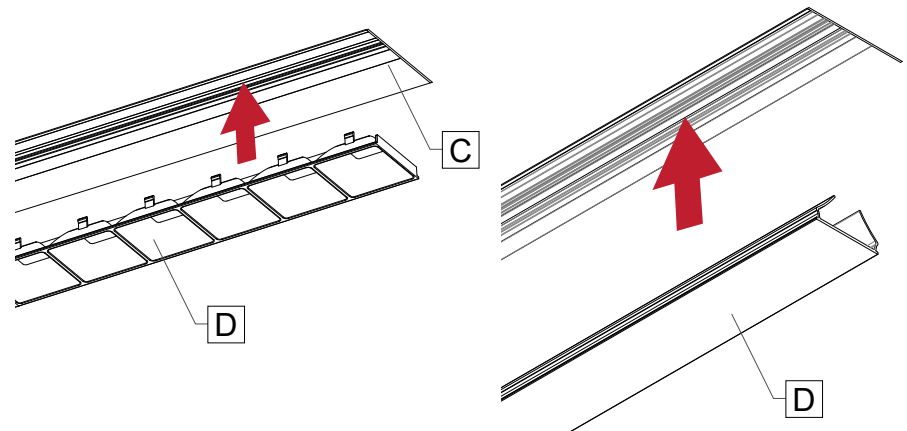
Reinstall the cartridge [E] by using a screw with plastic washer. **Do not apply too much pressure.**



9. REINSTALL OPTICS.

PARABOLIC
Reinstall louvers [D] on the fixture [C].

HLO
Reinstall the HLO lenses [D].

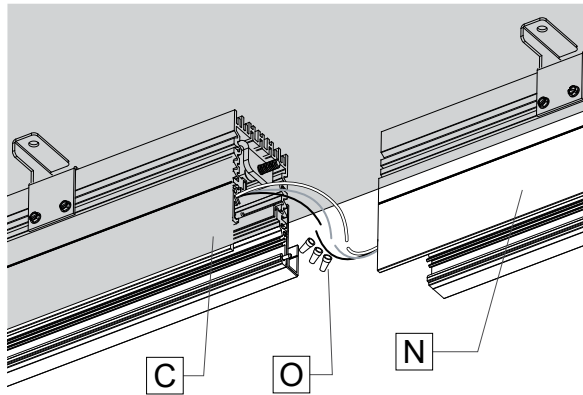


CONTINUOUS RUN

1 FOR CONTINUOUS RUN, REPEAT STEPS **1 - 7** FROM THE SINGLE FIXTURE SECTION FOR THE FIRST FIXTURE IN THE RUN, THEN:

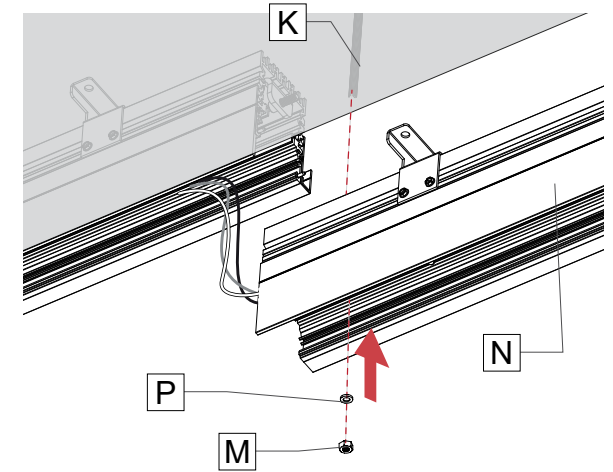
2 MAKE ELECTRICAL CONNECTIONS.

Make the wire connections between the first two sections [C] and [N] using quick connectors [O]. Insert the second section [N] into the drywall hole. Number of wires may vary.



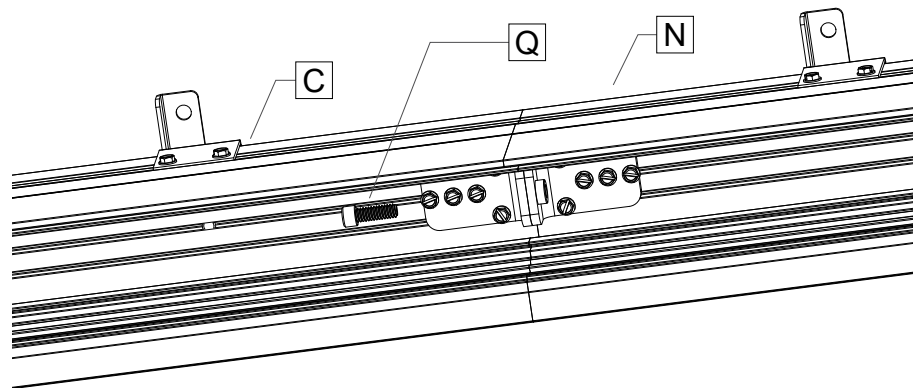
3 FASTEN THE FIXTURE.

Insert the second fixture [N] into pre-cut hole in drywall, aligning threaded rods [K] with holes in top of fixture [N] and with the first fixture [C]. Put washers [P] and tighten nuts [M] to secure the fixture [N].



4 JOIN THE FIXTURES.

Slide the fixture [N] to the fixture [C]. Attach the two fixtures by fastening the screw on the joiners [Q].



5 REINSTALL CARTRIDGE AND LOUVERS

Reconnect the LED connector to the cartridges [E] correctly. Reinstall the cartridges [E]. Reinstall the louvers [D] or the HLO lens [D] on all the fixtures.

