


 This product must be installed in accordance with the National Electrical Code and all applicable local codes, by a person familiar with the construction and operation of the product, and the hazards involved. Proper grounding is required for safety.

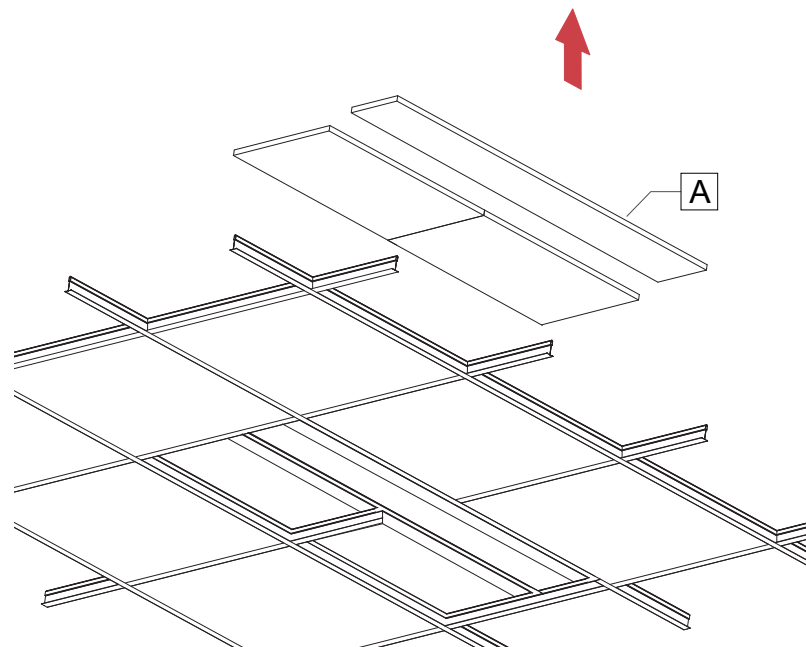
Ce produit doit être installé suivant le code national de l'électricité, ainsi que tous les codes locaux applicables, par une personne familière avec la construction et le fonctionnement du produit, ainsi que tous les risques qui y sont associés. La mise à terre électrique est obligatoire pour la sécurité.

-  Wire dimming conductors as Class 1.
-  Fixtures with an output of 1000 lm/ft or higher must not be installed in IC conditions.
-  Fixtures shown with shallow depth option.

### SINGLE FIXTURE

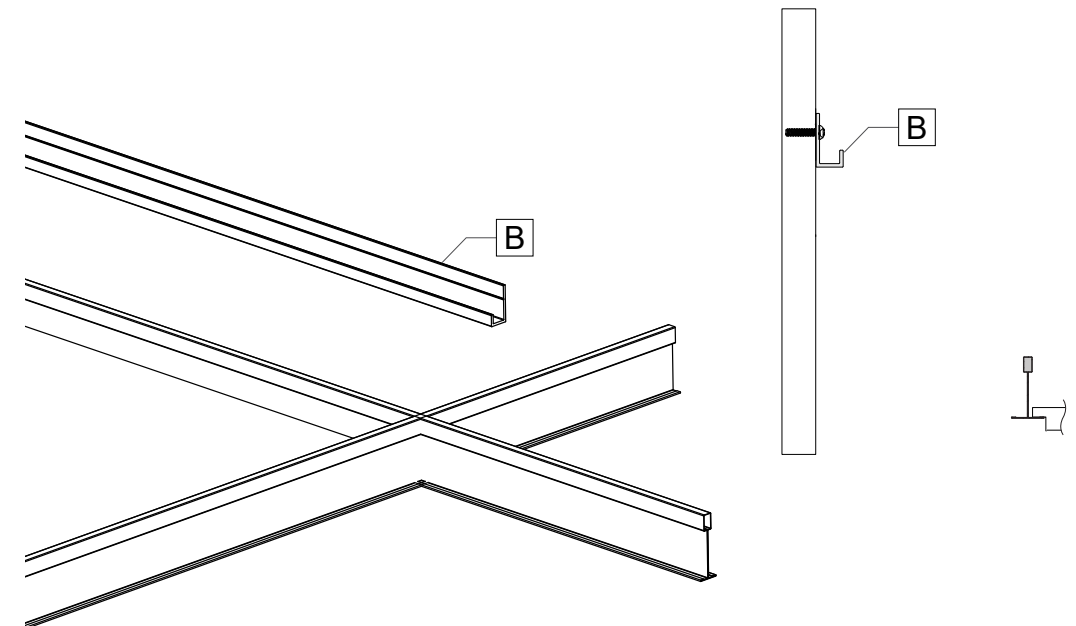
#### 1 PREPARE THE CEILING.

Remove ceiling tiles **[A]** where the fixture will be installed as well as the adjacent tiles for easy access during installation.



#### 2 INSTALL THE J-BAR.

Locate J-Bar **[B]** position using provided client drawing. Install J-Bar **[B]** to wall. Align with structural stud or use drywall anchors when needed.



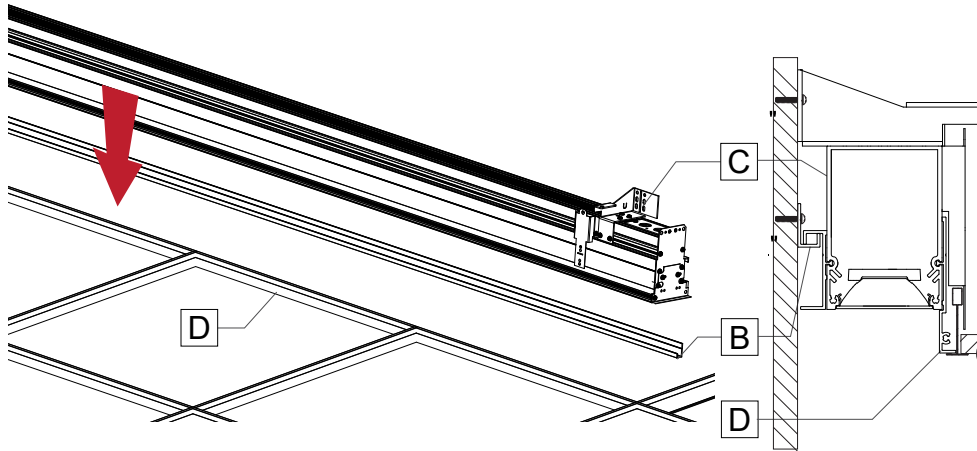
# UBIK

## Perimeter - Grid Ceiling

LUMENWERX

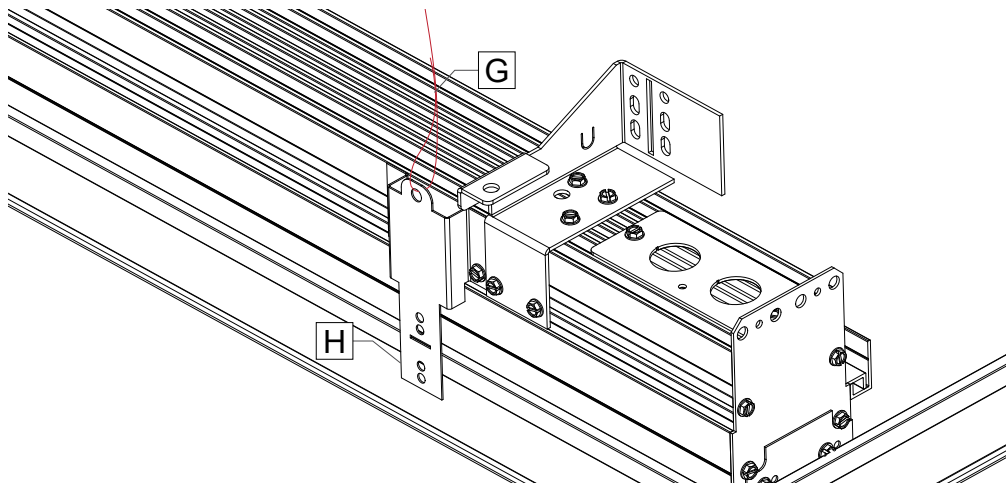
### 3. DROP FIXTURE ON J-BAR.

Raise the fixture above the ceiling and lower the fixture [C] onto the T-bars [D] and the J-Bar [B], adjustable of 1/4". Please install the fixture's flange above the tile.



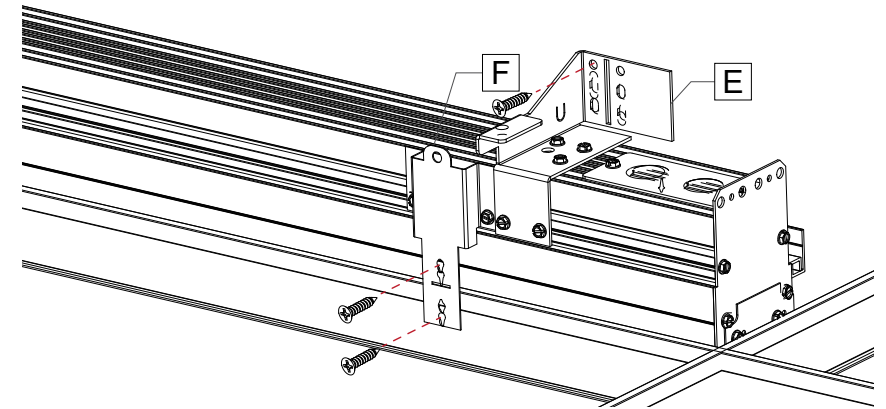
### 5 ATTACH SAFTY WIRES.

Safety wires [G] should be attached to the tabs [H].



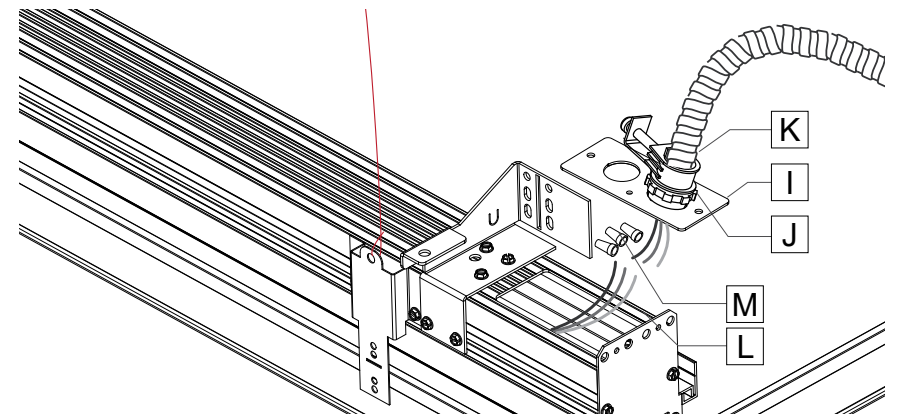
### 4. SCREW INTO T-BAR AND WALL.

Screw every wall brackets [E] to the wall. Screw every T-bar brackets [F] to the T-bar.



### 6 CONNECT THE BX CABLE

Remove power plate [I] from fixture and install BX connector [J] (by other) and BX cable [K] (by other) through the power plate. Tighten BX connector [J] screw. Connect cables from the BX cable [K] to the driver wires [L] using wire nuts [M]. Reinstall the power plate.

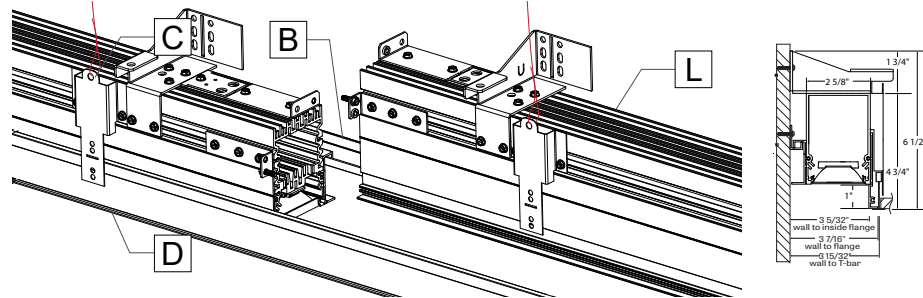


### CONTINUOUS RUN

**1** FOR CONTINUOUS RUN, REPEAT STEPS **1 - 5** FROM THE SINGLE FIXTURE SECTION FOR THE FIRST FIXTURE IN THE RUN, THEN:

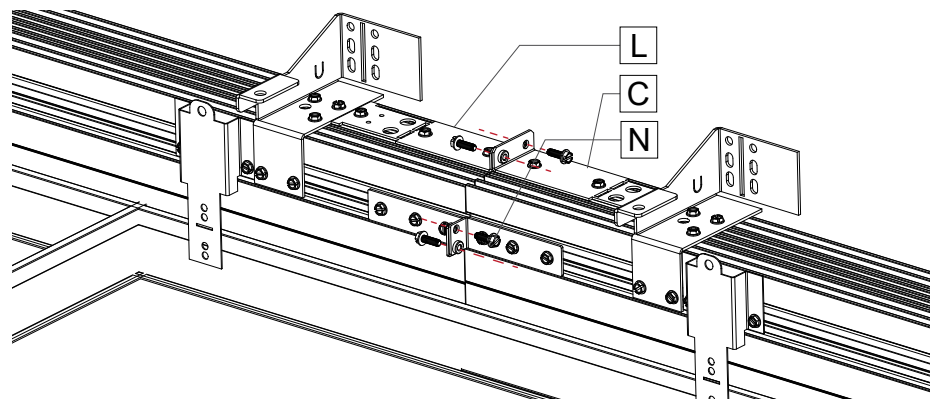
**2** RAISE THE SECOND FIXTURE.

For a continuous system, repeat steps 2 and 3 for the second fixture [L] of the run (raise the second fixture [L] of the run above the ceiling and lower onto the T-bar [D] and the J-Bar [B].) Please install the fixture's flange above the tile. For adjustable fixture, please refer the end of the document.



**4** JOIN FIXTURES.

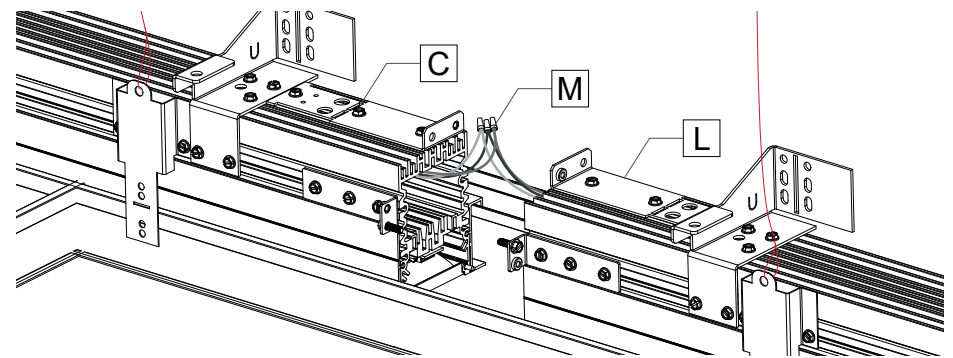
Slide the second fixture [L] next to the first one [C] and attach them with screws. Repeat step 2-4 for the next fixture in the run.



**6** REPEAT CONTINUOUS STEPS FOR THE REST OF THE FIXTURES IN THE RUN.

**3** MAKE ELECTRICAL CONNECTION.

Make wire connection with quick connectors [M] between the two fixtures [C] and [L]. Number of wires may vary.



**5** ATTACH SAFETY WIRES & SECURE THE FIXTURE

Attach safety wires [G] to the brackets. Screw every wall brackets [E] to the wall. Screw every t-bar brackets [F] to the t-bar.

