


 This product must be installed in accordance with the National Electrical Code and all applicable local codes, by a person familiar with the construction and operation of the product, and the hazards involved. Proper grounding is required for safety.

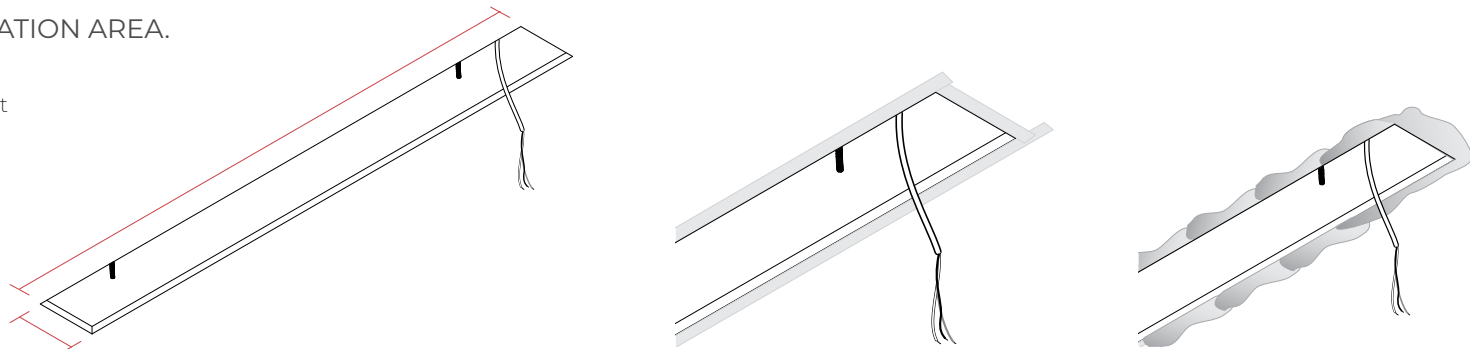
Ce produit doit être installé suivant le code national de l'électricité, ainsi que tous les codes locaux applicables, par une personne familière avec la construction et le fonctionnement du produit, ainsi que tous les risques qui y sont associés. La mise à terre électrique est obligatoire pour la sécurité.

 Wire dimming conductors as Class 1.
 Fixtures with an output of 1000 lm/ft or higher must not be installed in IC conditions.
 Shown with Trimless and applies to Trim too.

SINGLE FIXTURE

1 PREPARE THE INSTALLATION AREA.

Prepare the area where the fixture is going to be installed. Cut hole in the drywall according to the dimensions [M] in the client drawings. Tape and finish the edges of the drywall.



2 REMOVE OPTICS.

NOTE: Remove the parts mentioned below underneath the rod holes, using the provided lens tool and keep them in a safe place.

HLO

Remove the HLO lenses [A].

WALL WASH

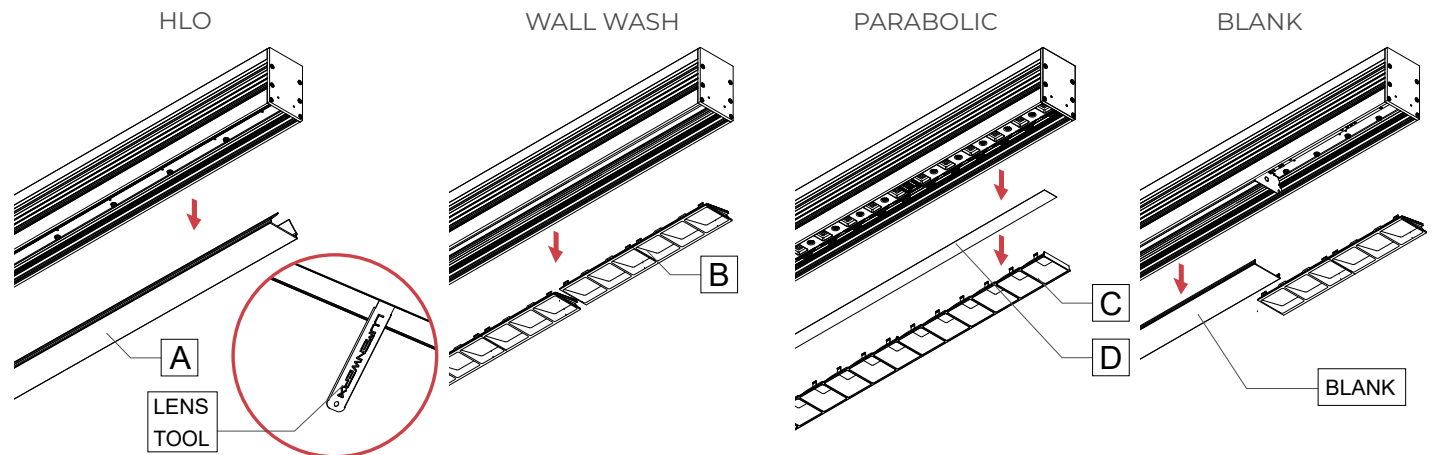
Remove the wall wash louvers [B].

PARABOLIC

Remove the louvers [C] and the films [D] (if necessary).

BLANK

In combination run, remove the [BLANK] if there is one.



3 UNSCREW CARTRIDGES.

HLO

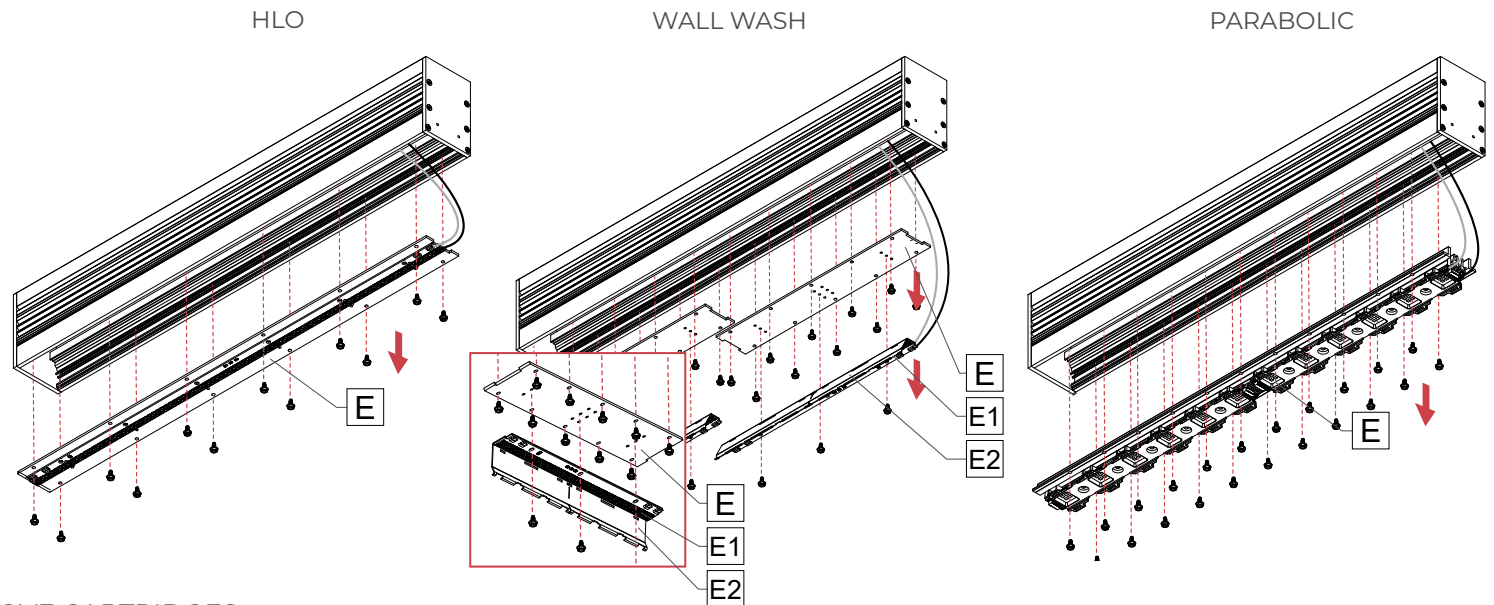
Unscrew the cartridges [E].

WALL WASH

Unscrew the LED boards [E1] with reflectors [E2] first, and then unscrew the cartridges [E].

PARABOLIC

Unscrew the cartridges [E].



4 DISCONNECT AND REMOVE CARTRIDGES.

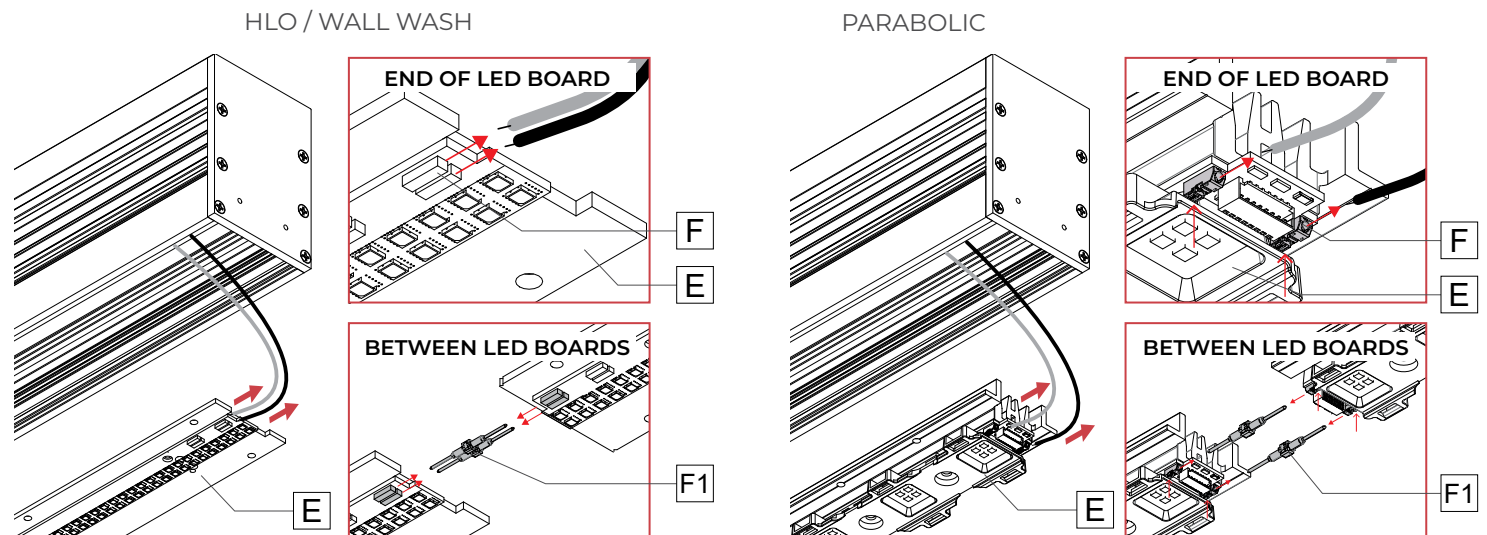
HLO / WALL WASH

Disconnect the cartridges [E] by pulling out the wires. Remove the cartridges [E].

PARABOLIC

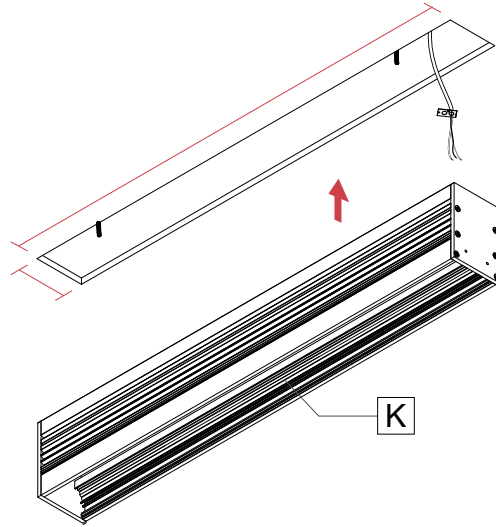
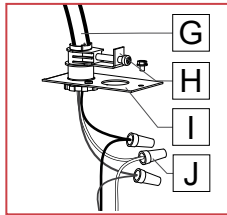
Disconnect the cartridges [E] by pressing on the two tabs on the top of the LED molex connector [F] with a pointed object, and pull the wires. Remove the cartridges [E].

NOTE: Between LED boards, disconnect by pulling the bridge [F1].



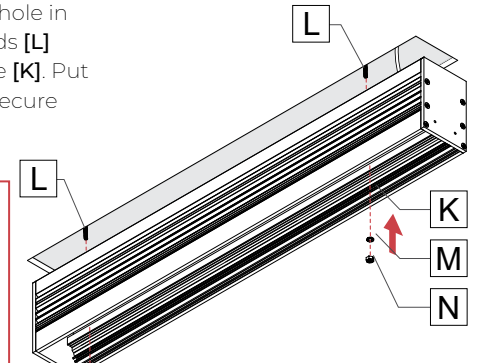
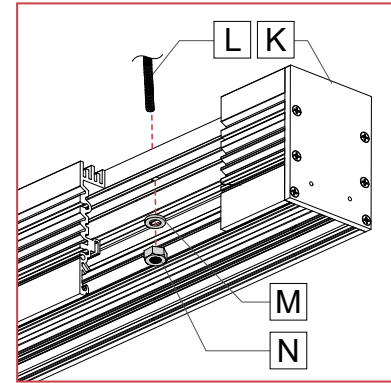
5 MAKE ELECTRICAL CONNECTIONS TO MAIN POWER.

Remove the power plate [I] from the fixture [K]. Install power cable [G] (by others) through the BX connector [H] (by others) and install onto the power plate [I] provided. Make electrical connections between power cable [G] and fixture cable using wire nuts [J]. Reinstall the power plate [I] to the fixture [K].



6 INSTALL THE FIXTURE.

Insert the fixture [K] into the pre-cut hole in the drywall, aligning the threaded rods [L] with the holes in the top of the fixture [K]. Put washers [M] and tighten nuts [N] to secure the fixture [K].



7 RECONNECT CARTRIDGES.

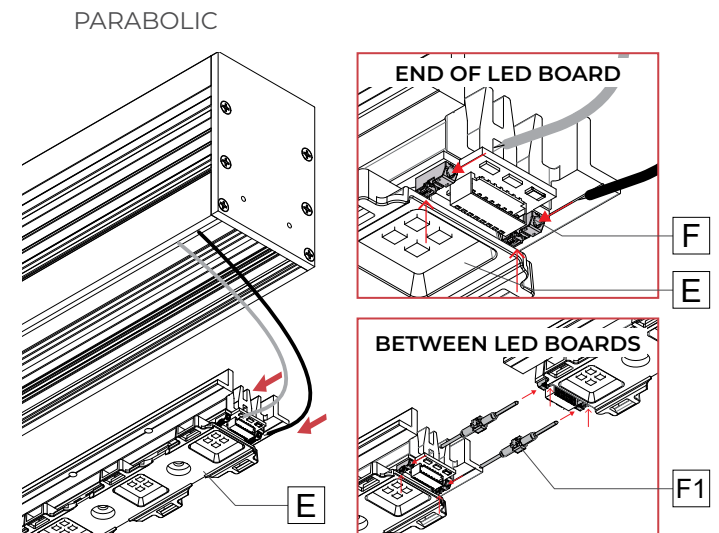
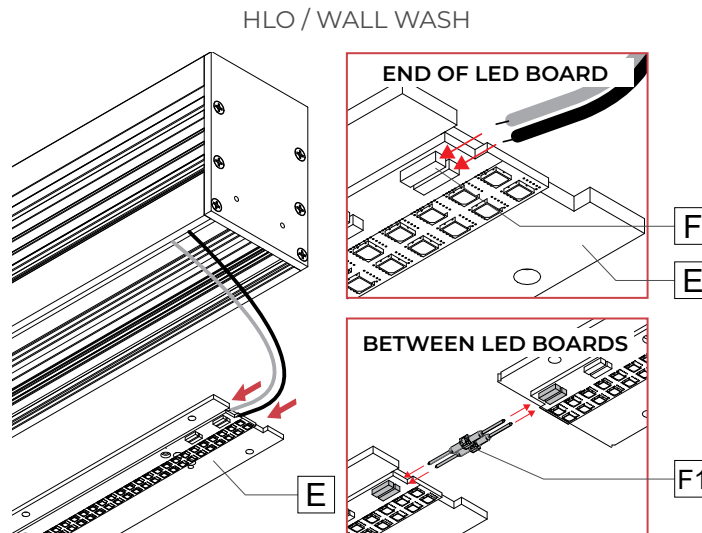
HLO / WALL WASH

Reconnect the cartridges [E] by pushing the wires into the LED molex connector [F].

PARABOLIC

Reconnect the cartridges [E] by pressing on the two tabs on the top of the LED molex connector [F] with a pointed object, and push in the wires.

NOTE: Between LED boards, use the bridge [F1] to make connection.



8 REINSTALL THE CARTRIDGES.

HLO

Screw the cartridges [E] back in place.

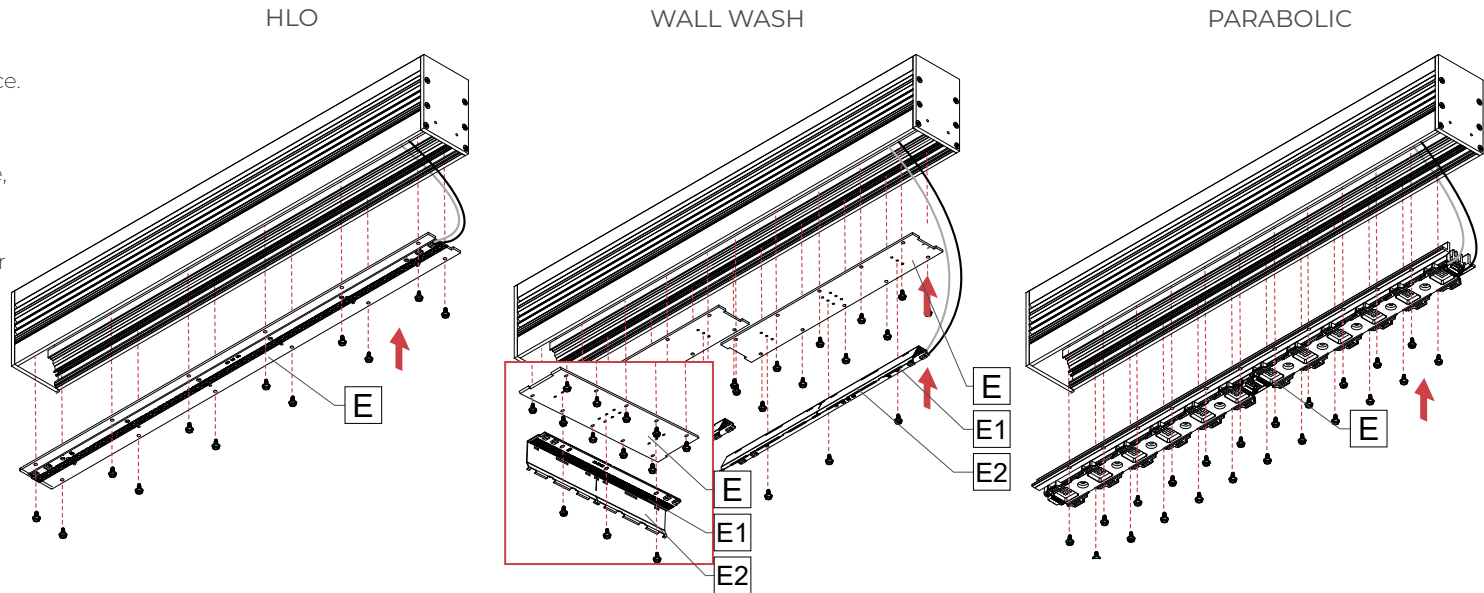
WALL WASH

First, screw the cartridge [E] in place, and then screw the LED board [E1] with the reflector [E2] on it.

NOTE: Make sure to put the reflector [E2] in the correct orientation.

PARABOLIC

Screw the cartridges [E] back in place.



9 REINSTALL THE OPTICS.

HLO

Snap the lenses [A] back in place.

WALL WASH

Put the wall wash cartridges [B] back in place.

NOTE: Make sure to put the lens in the correct orientation.

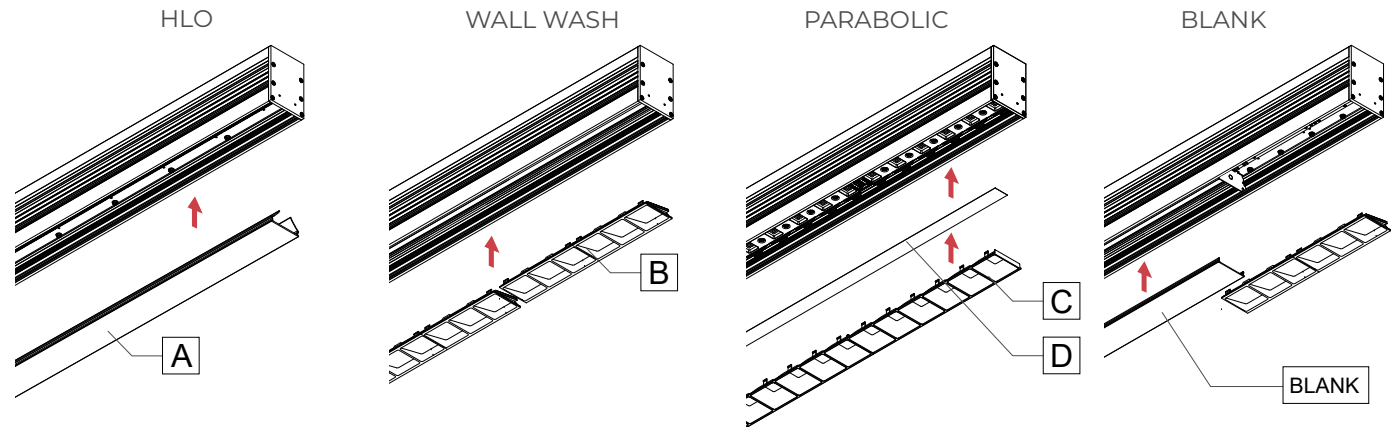
PARABOLIC

Put the louvers [C] and the films [D] back in place.

NOTE: Unfrosted side of the film [D] should face LEDs.

BLANK

In a combination run, put back the [BLANK].

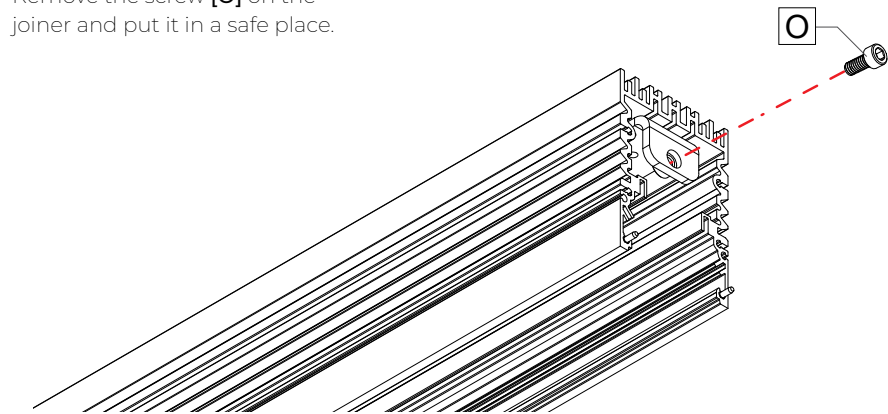


CONTINUOUS RUN

1 FOR CONTINUOUS RUN, REPEAT STEPS 1 - 6 FROM THE SINGLE FIXTURE SECTION FOR THE FIRST FIXTURE IN THE RUN, THEN:

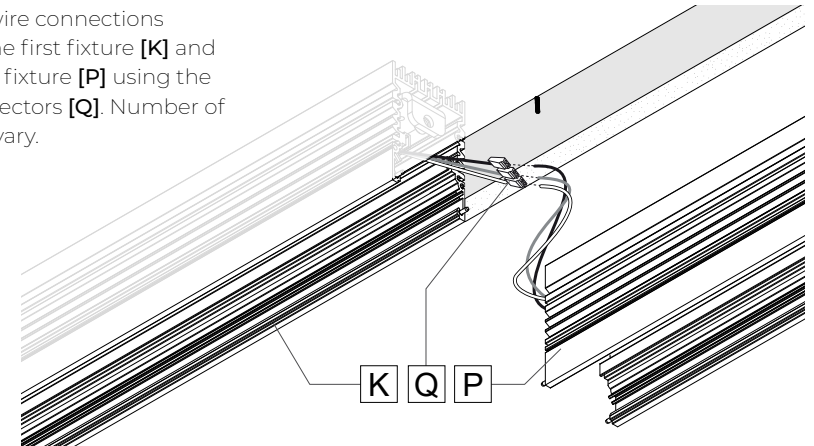
2 REMOVE THE JOINING SCREW.

Remove the screw [O] on the joiner and put it in a safe place.



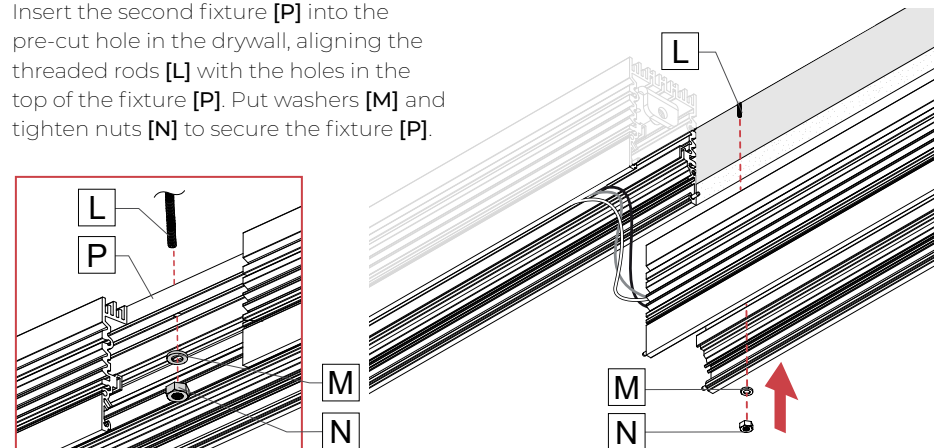
3 MAKE ELECTRICAL CONNECTIONS.

Make the wire connections between the first fixture [K] and the second fixture [P] using the quick connectors [Q]. Number of wires may vary.



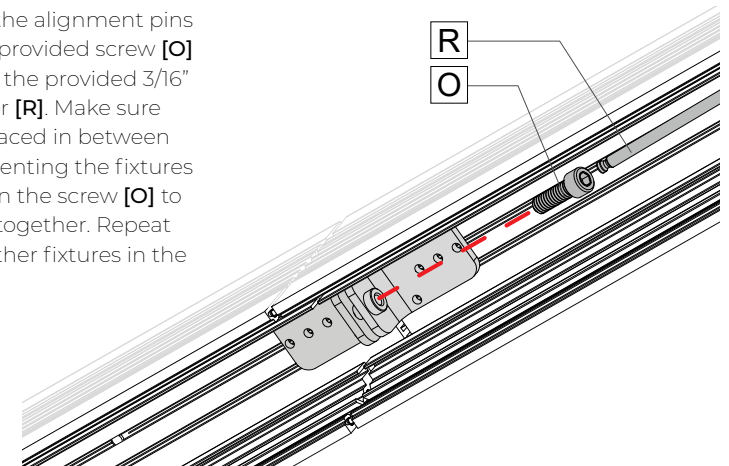
4 INSTALL THE SECOND FIXTURE.

Insert the second fixture [P] into the pre-cut hole in the drywall, aligning the threaded rods [L] with the holes in the top of the fixture [P]. Put washers [M] and tighten nuts [N] to secure the fixture [P].



5 JOIN THE FIXTURES.

Join fixtures using the alignment pins as a guide. Put the provided screw [O] back in place using the provided 3/16" ball-end screwdriver [R]. Make sure that no wires are placed in between the extrusions, preventing the fixtures to be joined. Tighten the screw [O] to pull the extrusions together. Repeat steps 2 to 5 for all other fixtures in the run.



6 REPEAT STEPS 7 - 9 FROM THE SINGLE FIXTURE SECTION FOR ALL FIXTURES IN THE RUN.