






# UBIK SEAL

## Perimeter - Drywall Mud Flange

# LUMENWERX

 This product must be installed in accordance with the National Electrical Code and all applicable local codes, by a person familiar with the construction and operation of the product, and the hazards involved. Proper grounding is required for safety.

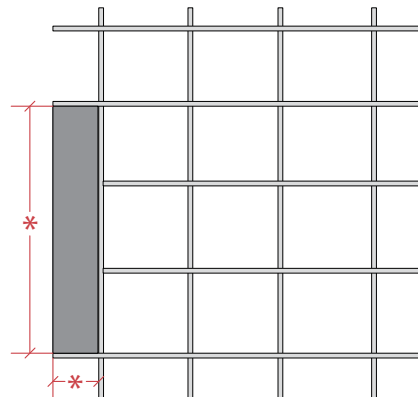
Ce produit doit être installé suivant le code national de l'électricité, ainsi que tous les codes locaux applicables, par une personne familière avec la construction et le fonctionnement du produit, ainsi que tous les risques qui y sont associés. La mise à terre électrique est obligatoire pour la sécurité.

-  Wire dimming conductors as Class 1.
-  Fixtures with an output of 1000 lm/ft or higher must not be installed in IC conditions.
-  Shown with shallow option and applicable to level and deep options.
-  **Fixture must be installed before drywall ceiling.**

## SINGLE FIXTURE

### 1 PREPARE MOUNTING LOCATION.

Prepare the area and frame around the area where the fixture is going to be installed according to the dimensions [\*] in the client drawings.



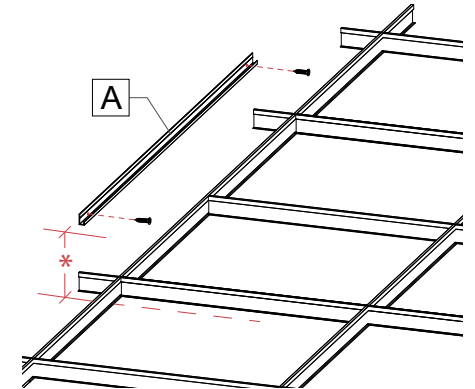
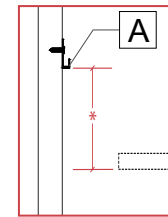
### 2 INSTALL J-RAIL.

Locate the J-rail [A] position according to the table below. Align with structural stud or use drywall anchors when needed.

#### Dimensions \*

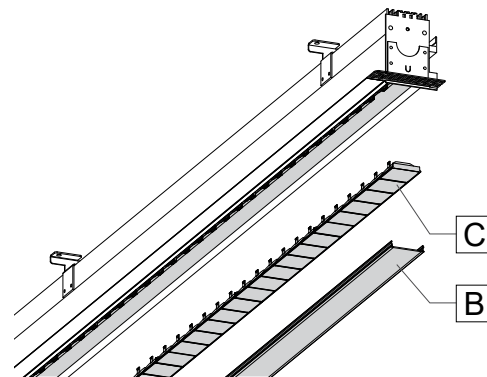
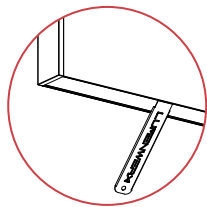
Level	1 7/16"
Shallow	2 7/16"
Deep	4 11/16"

\* Bottom of J-rail to the finished ceiling plane.



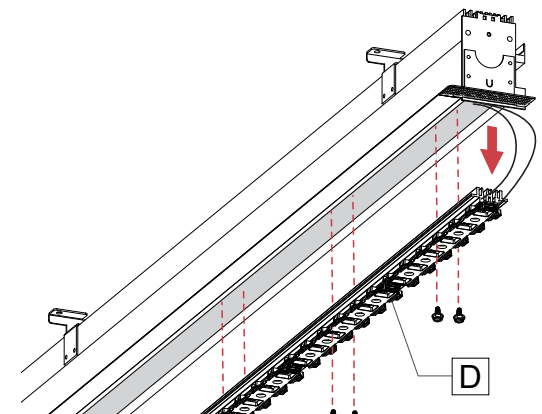
### 3 REMOVE LENS AND LOUVER.

Remove the lens [B] and the louver [C] using the provided lens tool and keep them in a safe place.



### 4 UNSCREW CARTRIDGE.

Unscrew and remove the cartridge [D] from the fixture. **Cartridge may vary.**



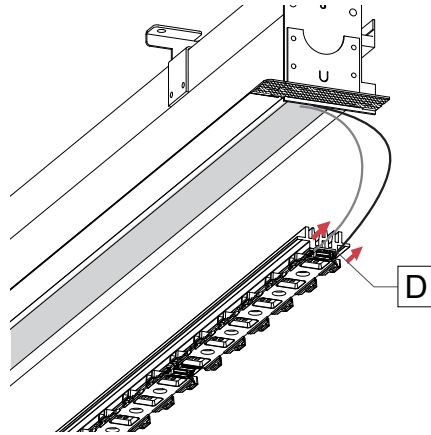
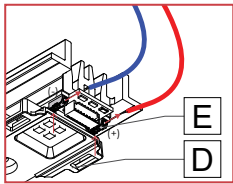
# UBIK SEAL

## Perimeter - Drywall Mud Flange

### 5 DISCONNECT AND REMOVE CARTRIDGE.

Disconnect the cartridge [D] by pressing on the two tabs on the top of the LED moxex connector [E] with a pointed object, and pull out the wires. Remove the cartridge [D].

END OF CARTRIDGE

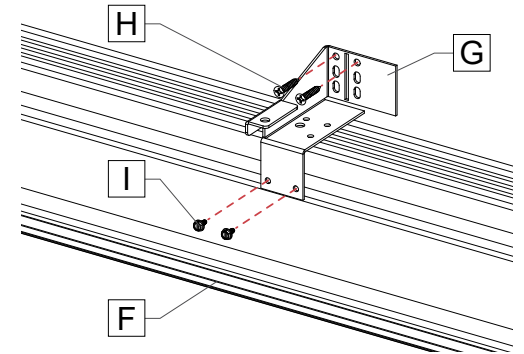
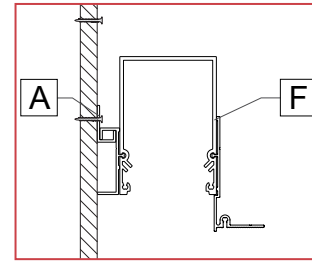


# LUMENWERX

### 6 INSTALL FIXTURE TO WALL.

Place and hook the fixture [F] in the J-rail [A].

Secure the fixture [F] in place by screwing the wall brackets [G] to the wall. (Drywall screws [H] by others.) Then screw [I] the wall brackets [G] to the fixture [F].

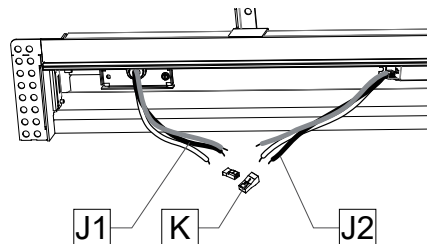
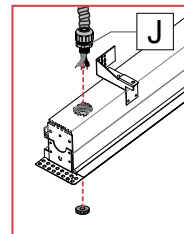


### 7 MAKE ELECTRICAL CONNECTIONS.

Connect the 1/2" trade size liquid-tight conduit fitting [J] (by others) to the 7/8" hole provided. Make sure the fitting is well tightened. A non-metallic liquid-tight flexible conduit system needs to be used (by others).

Make the electrical connections between power cable [J1] and the fixture cable [J2] inside the fixture using quick connectors [K].

**Warning:** A luminaire with more than one power supply connection means shall be connected to only one branch circuit.

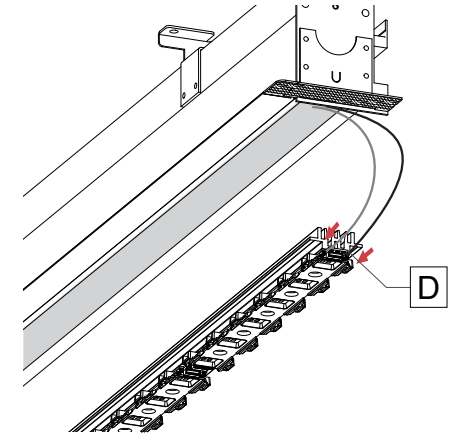
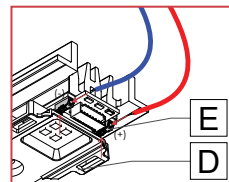


### 8 RECONNECT CARTRIDGE .

Reconnect the cartridge [D] by pressing on the two tabs on the top of the LED moxex connector [E] with a pointed object, and push in the wires.

**Note:** Connect blue wire into the [-] negative terminal and the red wire into the [+] positive terminal.

END OF CARTRIDGE



# UBIK SEAL

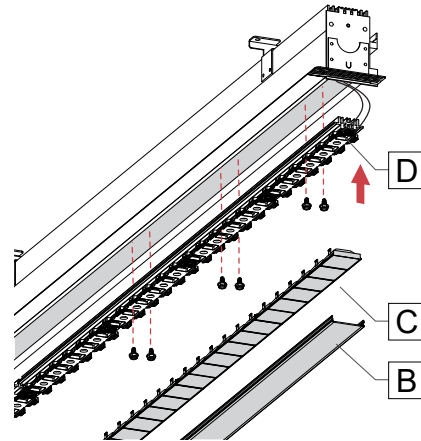
## Perimeter - Drywall Mud Flange

# LUMENWERX

### 9 REINSTALL CARTRIDGE AND OPTICS.

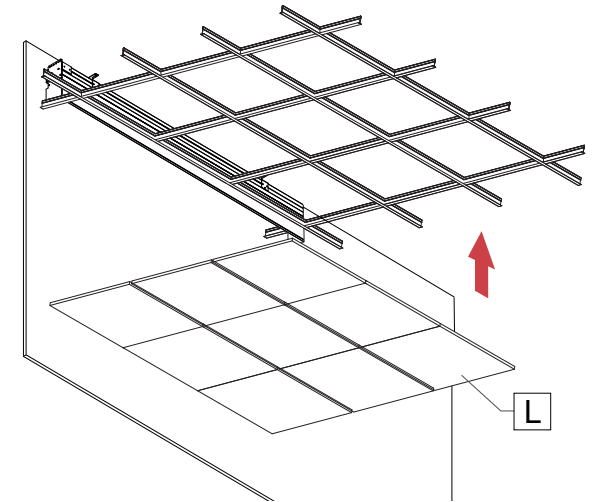
Reinstall the cartridge [D] by using a screw with plastic washer. **Do not apply too much pressure.**

Put the louver [C] and the lens [B] back in place.



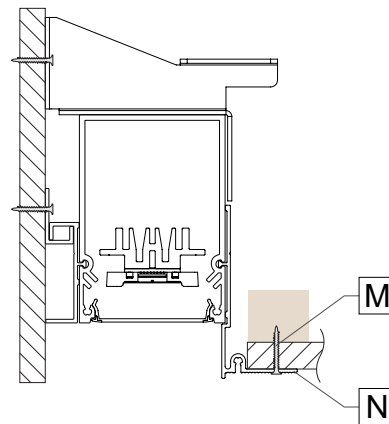
### 10 INSTALL DRYWALL.

Install the drywall [L] to the ceiling profile.



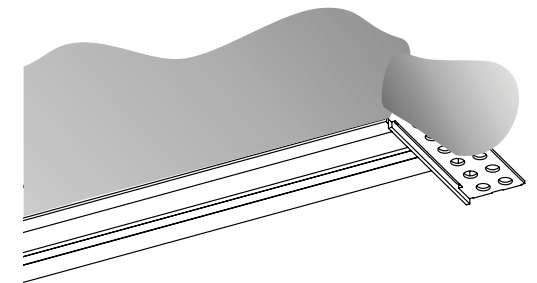
### 11 SECURE THE FIXTURE.

Fasten drywall screws [M] through the obround holes of the flange [N]. To reinforce the drywall screws must be used.



### 12 PLASTER OVER MUD FLANGE & FINISH.

Plaster, sand and paint over mud flange to create a smooth finish. When the paint is dry, gently remove the protective lens cover.



# UBIK SEAL

## Perimeter - Drywall Mud Flange

LUMENWERX

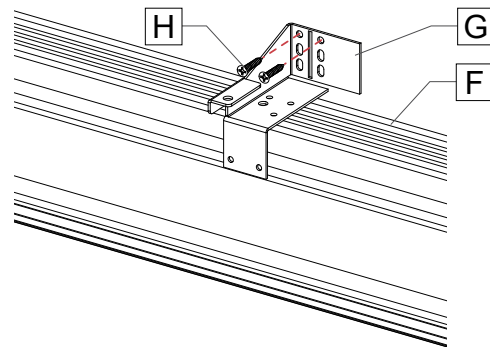
### CONTINUOUS RUN

**1** FOR CONTINUOUS RUN, REPEAT STEPS **1 - 7** FROM THE SINGLE FIXTURE SECTION FOR THE FIRST FIXTURE IN THE RUN, THEN:

**2** REPEAT STEPS **2 - 5** FROM THE SINGLE FIXTURE SECTION FOR THE SECOND FIXTURE IN THE RUN.

**3** FIX BRACKET TO WALL.

Secure the fixture **[F]** in place by screwing **[H]** (by others) the wall brackets **[G]** to the wall.

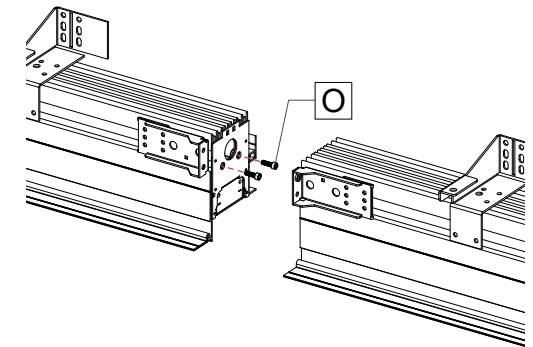


**4** REMOVE SCREWS

**Internal joiner only**

Unscrew and remove screws **[O]**.  
Keep them in a safe place.

**INTERNAL JOINER only**



**5** JOIN FIXTURES.

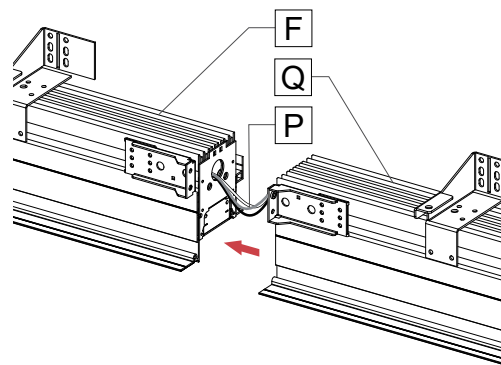
Push wires **[P]** inside the second fixture **[Q]** through the wire holes in the joiners. Push the second fixture **[Q]** against the first fixture **[F]**.

**Internal joiner**

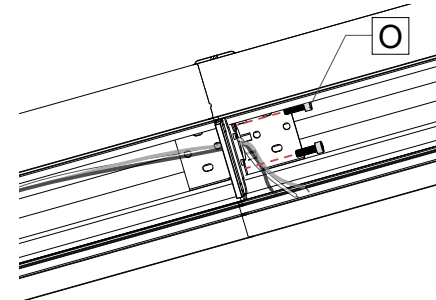
Reinstall the joining screws **[O]**.  
Tighten them well and make sure the joining gasket is well compressed between the two extrusions.

**External joiner**

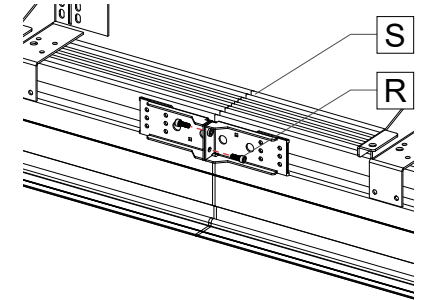
Screw **[R]** external joiners **[S]** to each other.



**INTERNAL JOINER**



**EXTERNAL JOINER**

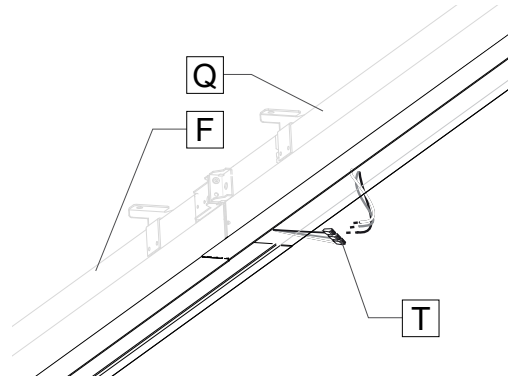


# UBIK SEAL

## Perimeter - Drywall Mud Flange

### 6 MAKE ELECTRICAL CONNECTIONS.

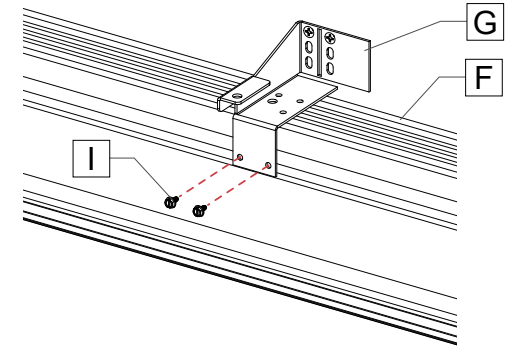
Make the wire connections between [F] and [Q] inside the second fixture by using quick connectors [T].



### 7 FIX BRACKET TO FIXTURE.

Screw [I] the wall bracket [G] to the fixture [F].

Repeat steps 8 and 9 from the single fixture section to put the cartridge and optics back..



8 REPEAT STEPS 2 - 7 FROM THE CONTINUOUS RUN SECTION FOR THE REST OF THE FIXUTERS IN THE RUN.

9 REPEAT STEPS 10 - 12 FROM THE SINGLE FIXTURE SECTION FOR ALL FIXTURES.