

UBIK SEAL TROFFER

Recessed - Grid Ceiling

LUMENWERX

! This product must be installed in accordance with the National Electrical Code and all applicable local codes, by a person familiar with the construction and operation of the product, and the hazards involved. Proper grounding is required for safety.

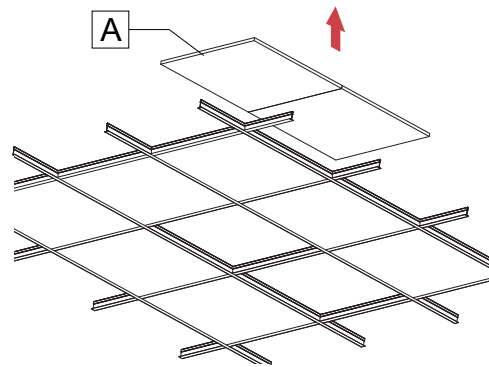
Ce produit doit être installé suivant le code national de l'électricité, ainsi que tous les codes locaux applicables, par une personne familière avec la construction et le fonctionnement du produit, ainsi que tous les risques qui y sont associés. La mise à terre électrique est obligatoire pour la sécurité.

! Wire dimming conductors as Class 1.

1 PREPARE CEILING OPENING.

Caution: Make sure the electrical power is turned off.

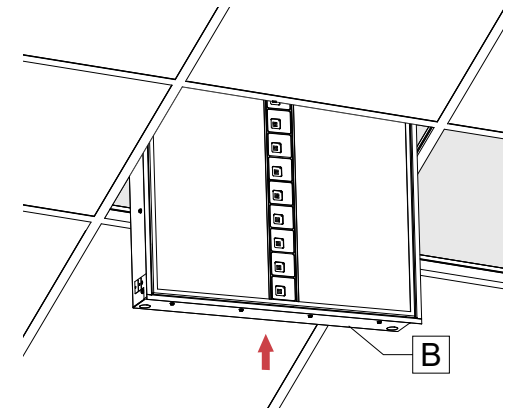
Remove ceiling tiles **[A]** where the fixture will be installed and adjacent tiles for easy access during installation.



2 INSERT FIXTURE INTO CEILING OPENING.

Insert the fixture **[B]** above the ceiling grid.

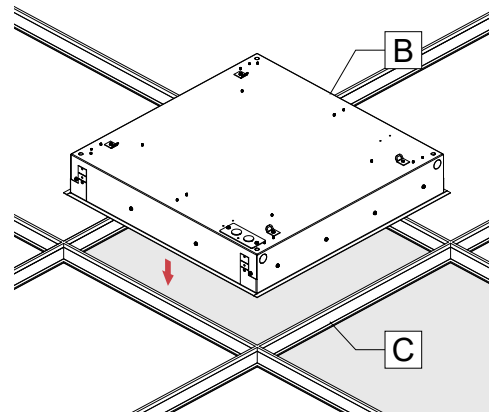
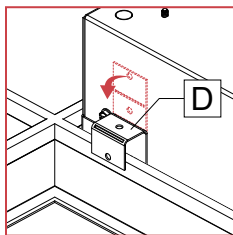
Note: Insert carefully as to not scratch paint.



3 PLACE FIXTURE ON T-BAR GRID.

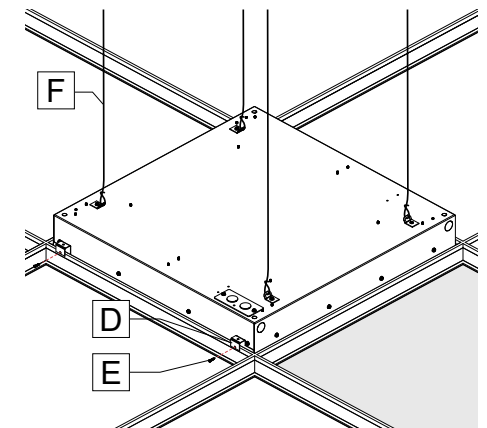
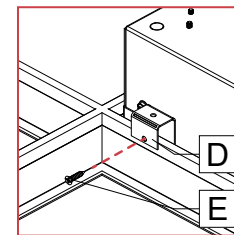
Lower the fixture **[B]** onto the T-bar grid **[C]**.

Bend the tabs **[D]** on each corner of the fixture **[B]** to provide support.



4 SECURE FIXTURE.

Secure the tabs **[D]** to the T-bars with screws **[E]** (by others). For additional safety, attach security wires **[F]** from safety cable brackets.



UBIK SEAL TROFFER

Recessed - Grid Ceiling

LUMENWERX

5 MAKE ELECTRICAL CONNECTIONS.

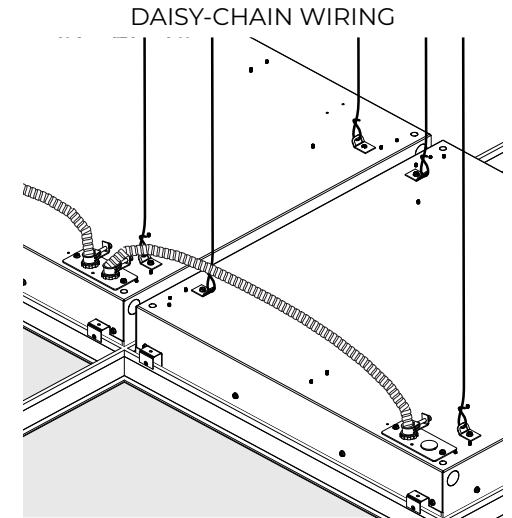
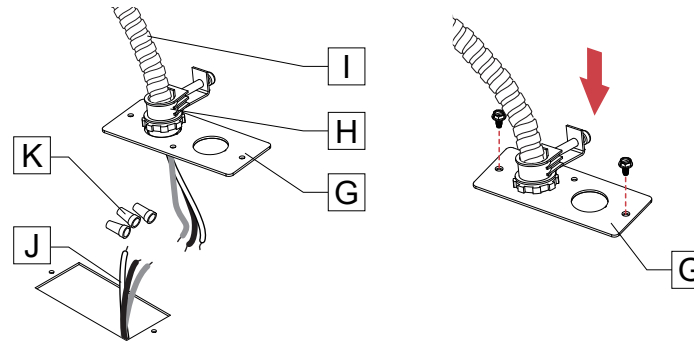
Remove the power plate [G] from the fixture and install BX connector [H] (by others) and BX cable [I] (by others) through the power plate. Tighten BX connector [H] screw.

Warning: Power must come from single branch circuit.

Connect wires from the BX cable [I] to the fixture driver wires [J] using wire nuts [K] (by others). Ensure connections comply with local and national electrical codes.

Note: For daisy-chain wiring, make electrical connections to the first fixture. Use additional knockout holes to connect fixtures together with BX cable and connector (by others).

Push connected wires inside the fixture. Reinstall the power plate [G] onto the fixture and tighten the two screws.



6 REINSTALL ADJACENT TILES.

Reinstall the adjacent tiles on the T-bar grid [C].

