

UBIK SEAL

Perimeter - Grid Ceiling



! This product must be installed in accordance with the National Electrical Code and all applicable local codes, by a person familiar with the construction and operation of the product, and the hazards involved. Proper grounding is required for safety.

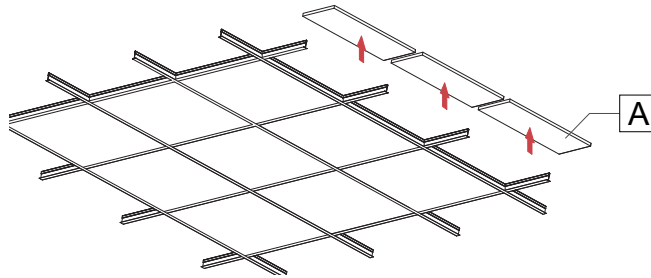
Ce produit doit être installé suivant le code national de l'électricité, ainsi que tous les codes locaux applicables, par une personne familière avec la construction et le fonctionnement du produit, ainsi que tous les risques qui y sont associés. La mise à terre électrique est obligatoire pour la sécurité.

- !** Wire dimming conductors as Class 1.
- !** Fixtures with an output of 1000 lm/ft or higher must not be installed in IC conditions.
- !** Shown with shallow option and applicable to level and deep options.

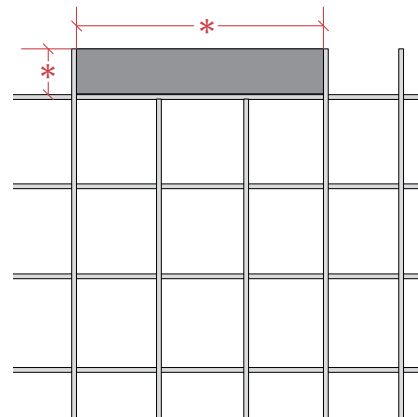
SINGLE FIXTURE

1 PREPARE THE CEILING.

Remove ceiling tiles **[A]** where the fixture will be installed as well as the adjacent tiles for easy access during installation.



Locate J-rail position **[*]** according to dimensions in the client drawings.



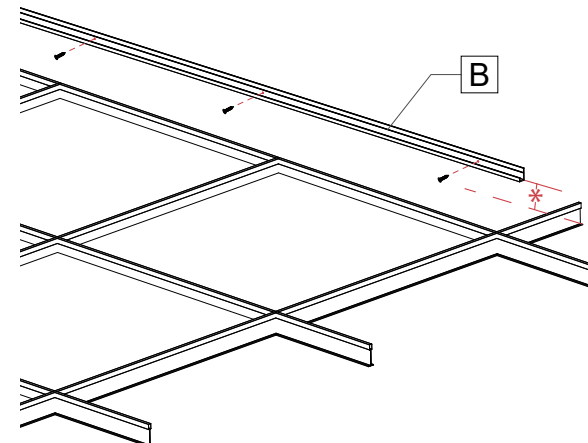
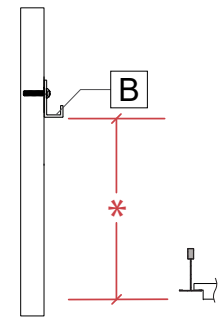
2 INSTALL THE J-RAIL.

Locate the J-rail **[B]** height position according to the table below. Align with structural stud or use drywall anchors when needed.

Dimensions *

	TB9 TB15	TG9 TG15 ST
Level	1 7/16"	1 3/4"
Shallow	2 7/16"	2 3/4"
Deep	4 11/16"	5"

* Bottom of J-rail to the finished ceiling plane.

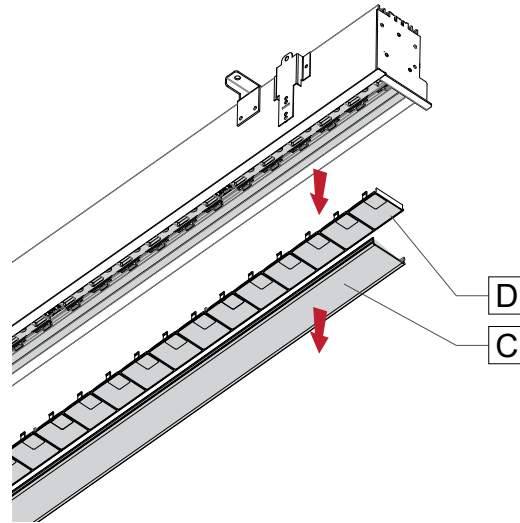
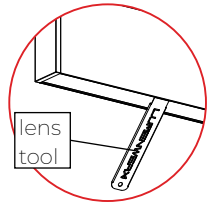


UBIK SEAL

Perimeter - Grid Ceiling

3 REMOVE LENS AND LOUVER.

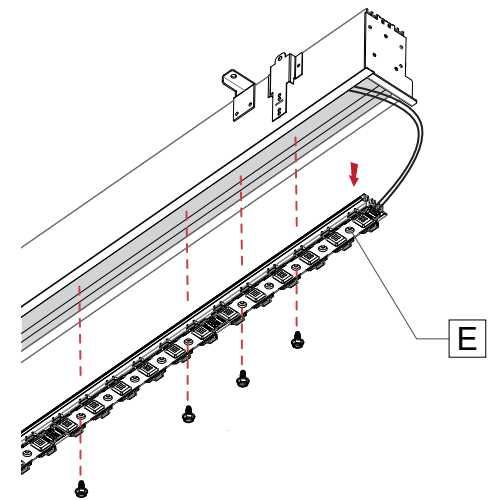
Remove the lens [C] and the louver [D] using the provided lens tool and keep them in a safe place.



4 UNSCREW CARTRIDGE.

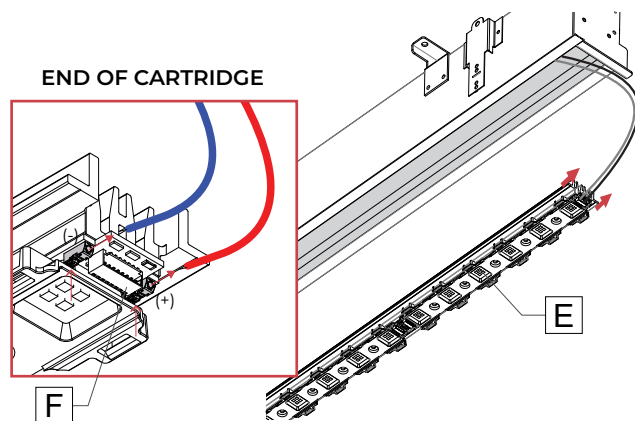
Unscrew and remove the cartridge [E] from the fixture.
Cartridge may vary.

Keep the screws and plastic washers in a safe place.



5 DISCONNECT AND REMOVE CARTRIDGE.

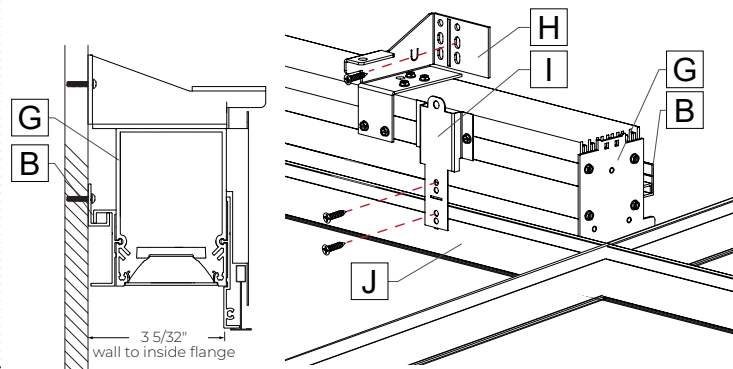
Disconnect the cartridge [E] by pressing on the two tabs on the top of the LED molex connector [F] with a pointed object, and pull out the wires. Remove the cartridge [E].



6 INSTALL FIXTURE TO WALL.

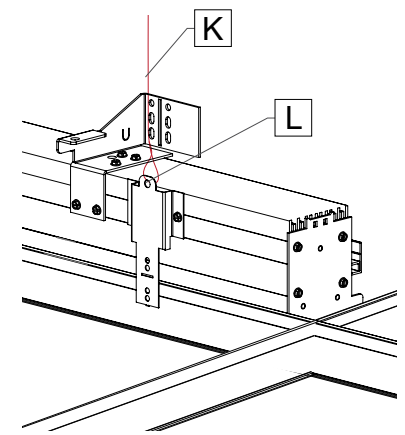
Place and hook the fixture [G] in the J-rail [B].

Secure the fixture [G] in place by screwing the wall brackets [H] to the wall. (Drywall screws by others). Screw all the T-bar brackets [I] to the T-bar [J] (screws by others).



7 SAFETY WIRES.

Safety wires [K] should be attached to the tabs [L].



UBIK SEAL

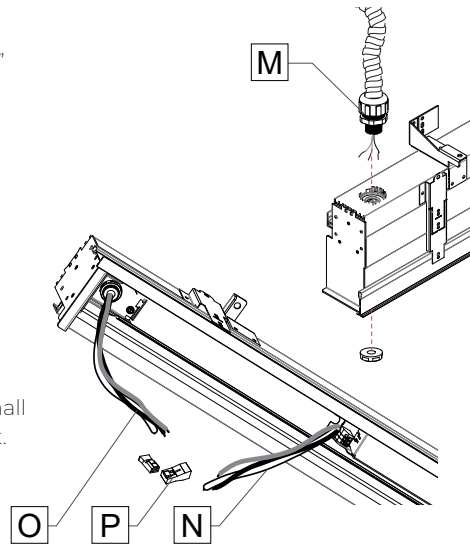
Perimeter - Grid Ceiling

8 MAKE ELECTRICAL CONNECTIONS.

Connect the 1/2" trade size liquid-tight conduit fitting [M] (by others) to the 7/8" hole provided. Make sure the fitting is well tightened. A non-metallic liquid-tight flexible conduit system needs to be used (by others).

Make the electrical connections between the fixture wires [N] and the building wires [O] inside the fixture [G] using quick connectors [P].

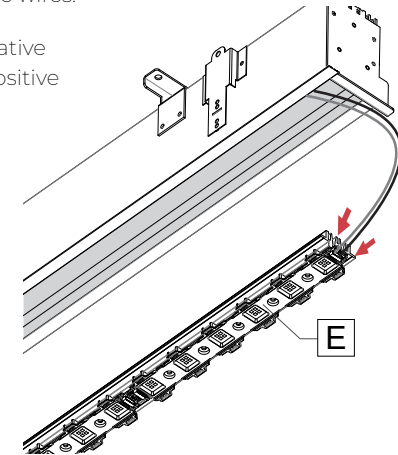
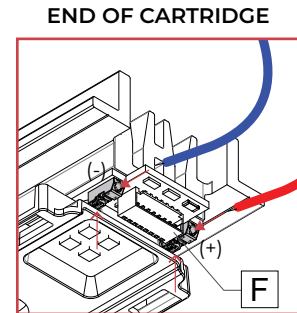
Warning: A luminaire with more than one power supply connection means shall be connected to only one branch circuit.



9 RECONNECT CARTRIDGE.

Reconnect the cartridge [E] by pressing on the two tabs on the top of the LED moxex connector [F] with a pointed object, and push in the wires.

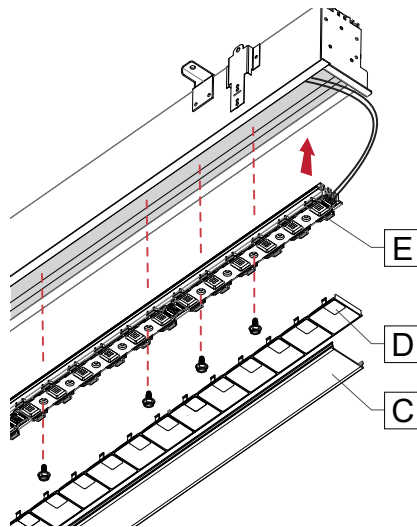
Note: Connect blue wire into the [-] negative terminal and the Red wire into the [+] positive terminal



10 REINSTALL CARTRIDGE AND OPTICS.

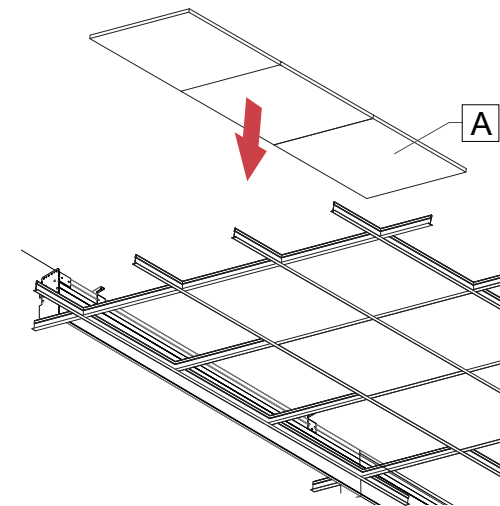
Reinstall the cartridge [E] by using the screws and plastic washers. **Do not apply too much pressure.**

Put the louver [D] and the lens [C] back in place.



11 REINSTALL CEILING TILES.

Reinstall adjacent ceiling tiles [A].



UBIK SEAL

Perimeter - Grid Ceiling



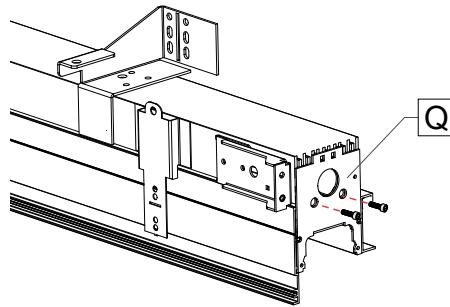
CONTINUOUS RUN

1 FOR CONTINUOUS RUN, REPEAT STEPS **1 - 8** FROM THE SINGLE FIXTURE SECTION FOR THE FIRST FIXTURE IN THE RUN, THEN:

2 REPEAT STEPS **2 - 5** FROM THE SINGLE FIXTURE SECTION FOR THE SECOND FIXTURE IN THE RUN.

3 REMOVE SCREWS FROM INTERNAL JOINER.

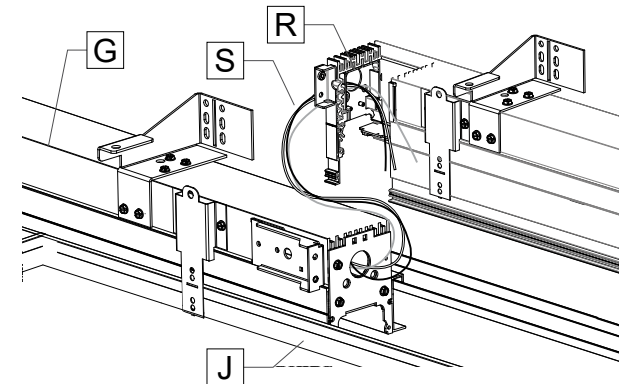
Unscrew and remove screws from the internal joiner [Q]. Keep them in a safe place.



4 RAISE THE SECOND FIXTURE.

Raise the second fixture [R] above the ceiling. Push wires [S] of first fixture [G] into the next fixture [R].

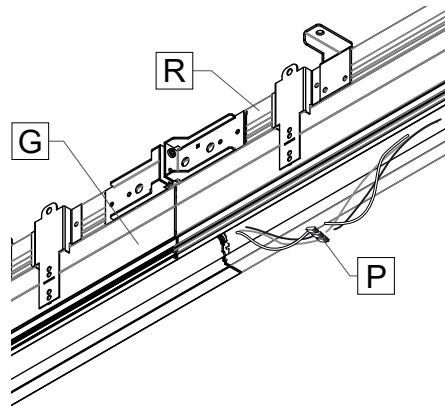
Drop the second fixture [R] in the T-bar [J].



5 MAKE ELECTRICAL CONNECTION.

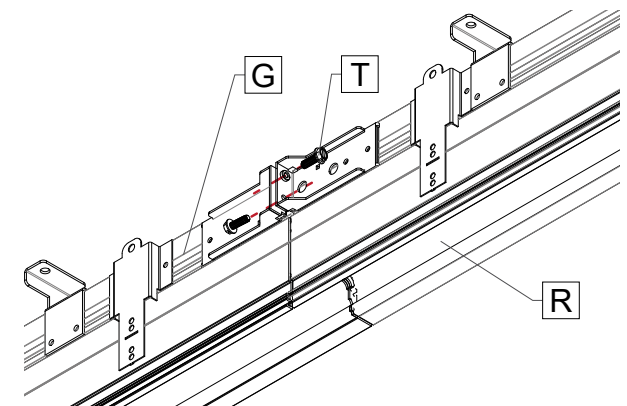
Align the second fixture [R] to the first fixture [G].

Make the wire connections between the first fixture [G] and the second fixture [R] using the quick connectors [P]. *Number of wires may vary.*



6 JOIN FIXTURES.

Slide the second fixture [R] next to the first one [G] and attach them with screws [T].

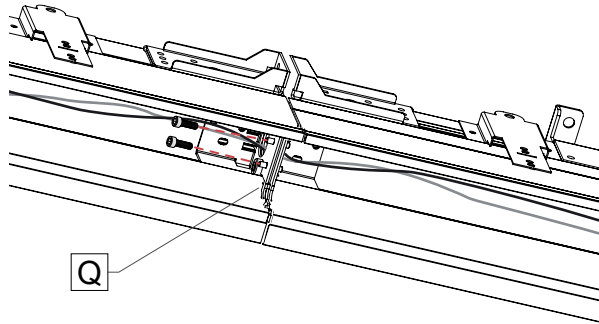


UBIK SEAL

Perimeter - Grid Ceiling

7 JOIN INTERNAL JOINER.

Reinstall the joining screws on the internal joiner [Q]. Tighten them well and make sure the joining gasket is well compressed between the two extrusions.

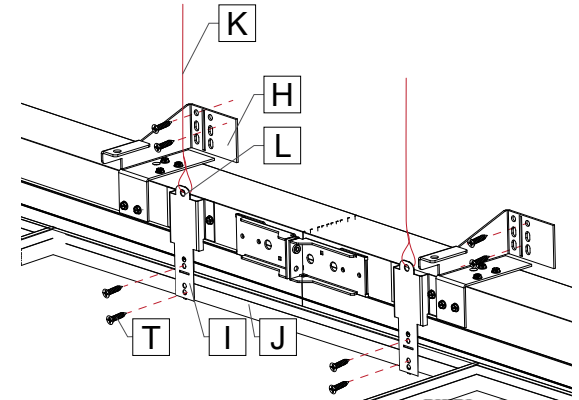


8 ATTACH SAFETY WIRES & SECURE THE FIXTURE.

Attach safety wires [K] to the brackets [L].

Screw every wall bracket [H] to the wall.

Screw all the T-bar brackets [I] to the T-bar [J] (screws [T] by others).



7 REPEAT STEPS 2 - 8 FROM THE CONTINUOUS RUN SECTION FOR THE REST OF THE FIXTURES IN THE RUN.

8 REPEAT STEPS 9 - 11 FROM THE SINGLE FIXTURE SECTION FOR ALL FIXTURES.