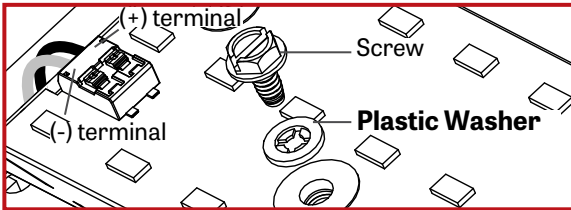


NOTE: Wire dimming conductors as Class 1



Reflector must be reinstalled with the screw and plastic washer that was originally supplied. If not, it can result in an electrical failure
Make sure to reconnect the wires to the LED boards correctly

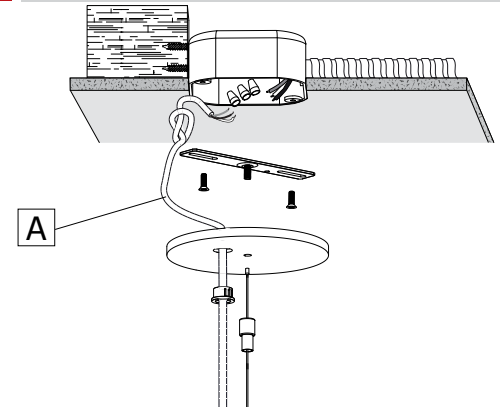


This product must be installed in accordance with the National Electrical Code and all applicable local codes, by a person familiar with the construction and operation of the product, and the hazards involved. proper grounding is required for safety.

Ce produit doit être installé suivant le code national de l'électricité, ainsi que tous les codes locaux applicables, par une personne familière avec la construction et le fonctionnement du produit, ainsi que tous les risques qui y sont associés. la mise à terre électrique est obligatoire pour la sécurité.

1

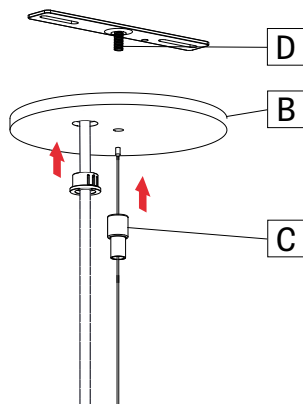
SINGLE FIXTURE



Locate ceiling mounting points according to supplied client drawing. Make a knot in the power cord (A) and then connect it to the ceiling power feed. **Warning: Power must come from Single branch circuit.**

2

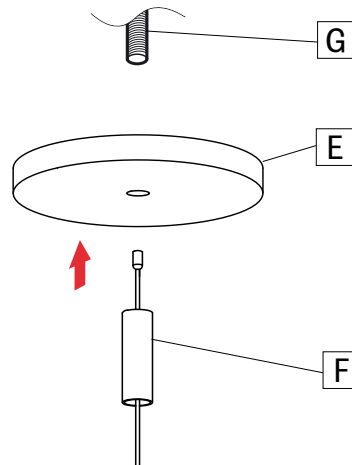
POWER SIDE



Secure canopy (B) with slip ring (C) on threaded rod (D).

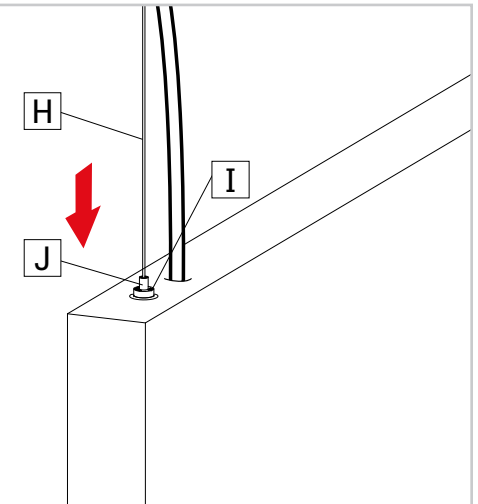
3

NON-POWER SIDE

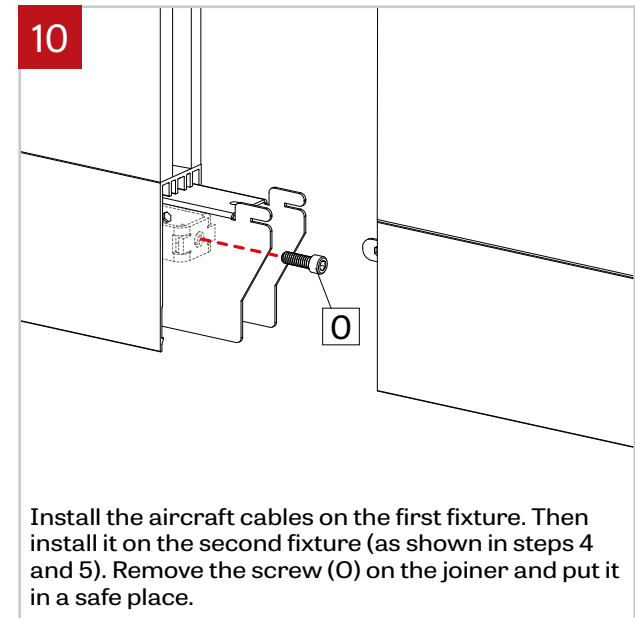
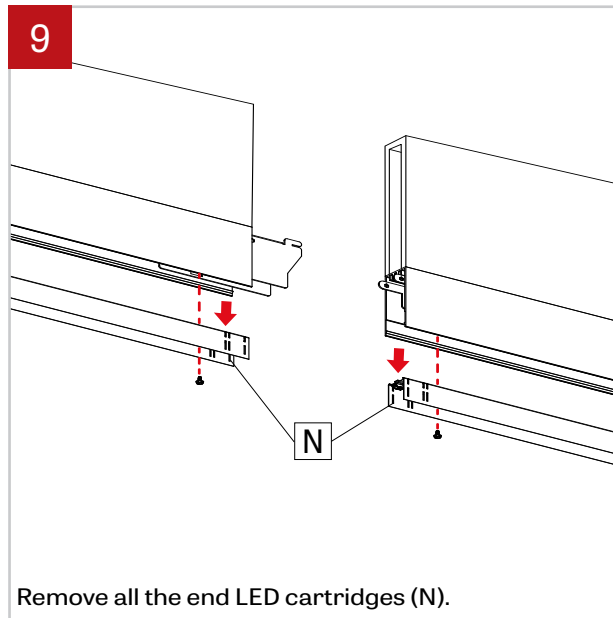
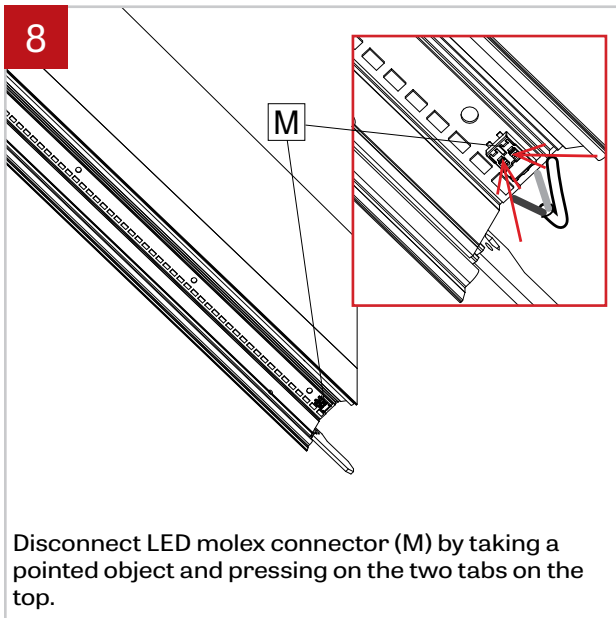
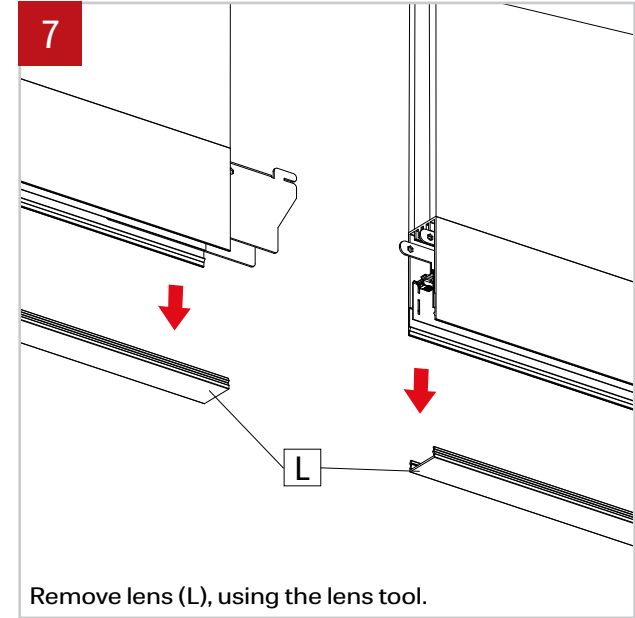
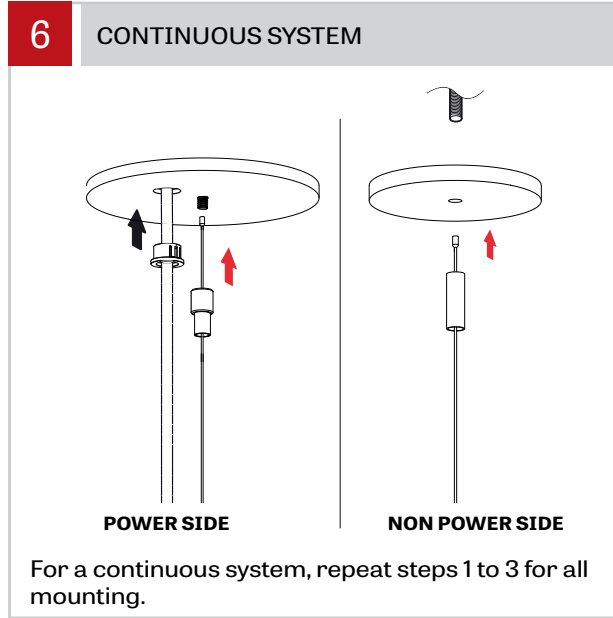
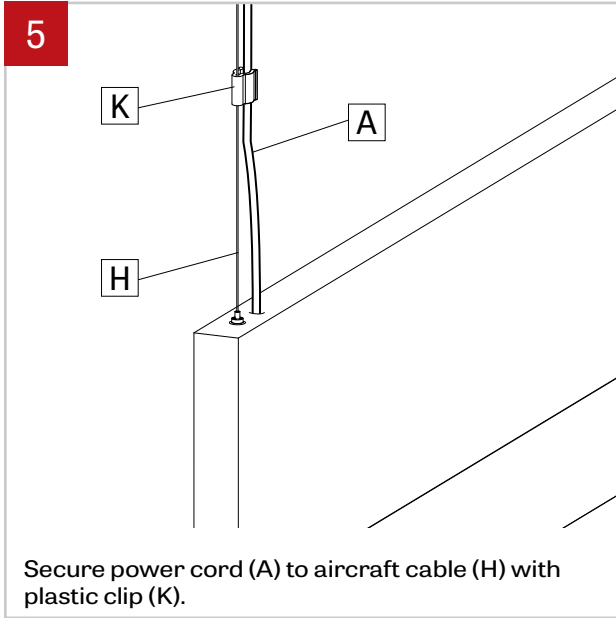


Secure canopy (E) with cable coupler (F) on crimp strud (1/4"-20) (G) (by other).

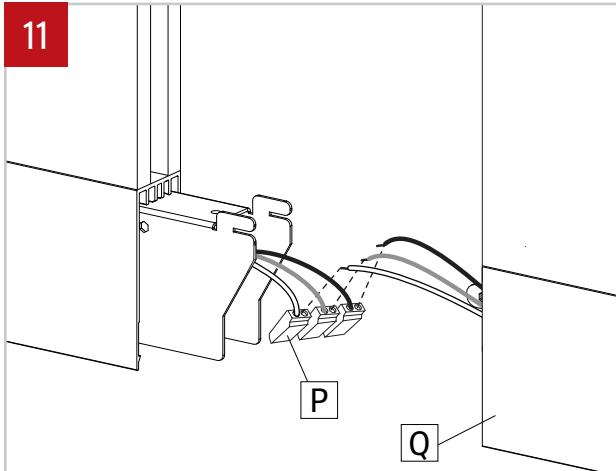
4



Insert the aircraft cable (H) into the griplock (I). Adjust the cable (H) length by pushing the feeder tube (J).

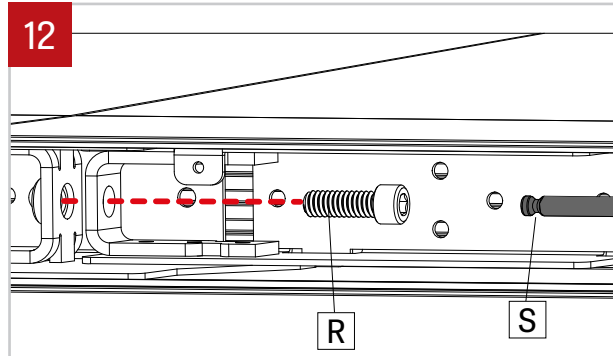


11



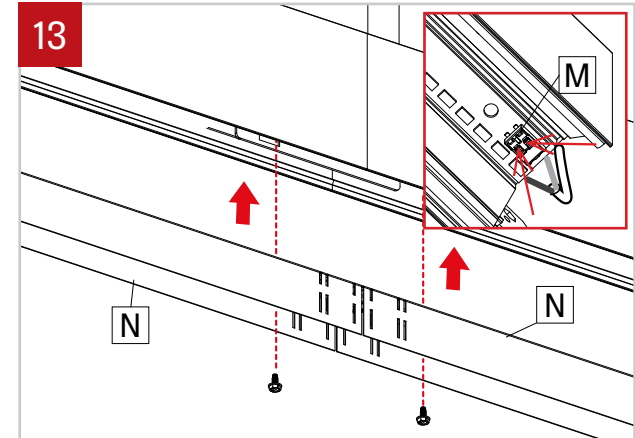
Connect wires between joining fixtures using quick connectors (P) and push wires inside the second fixture (Q). **Number of wires may vary.**

12



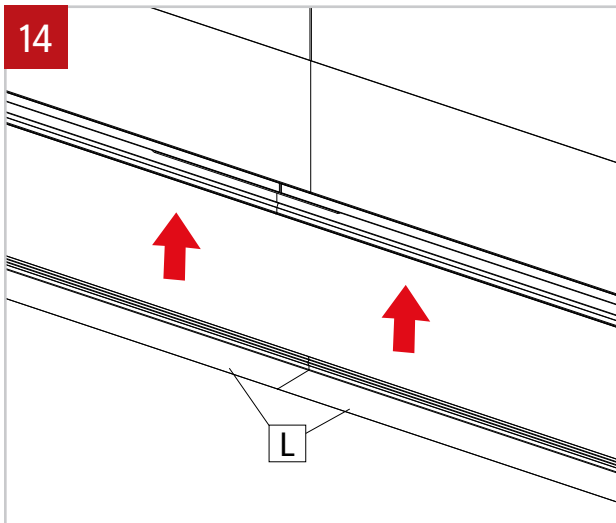
Join fixtures using align pins as guide. Put back in place the provided screw (R) (using 3/16" Ball-End Screwdriver (S) provided). Make sure that no wires are placed in between the extrusions, preventing the fixtures to be joined. Tight the screw (R) to pull the extrusions together. Repeat steps 10 T 12 for all others fixtures in the run.

13



Replace the cartridge(s) (N) and reconnect the LED molex connector (M). **NOTE: connect blue wire into the negative (-) terminal and the red wire into (+) positive terminal.** Make sure that the wires are not hiding any LED diode. Screw the cartridge back in place.

14



Reinstall the lenses (L).