

IMPORTANT: Installation instructions are shown with Via 4 and applies to all Via sizes

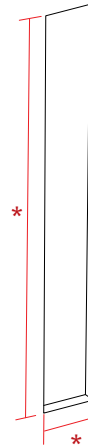
NOTE: Wire dimming conductors as Class 1



This product must be installed in accordance with the National Electrical Code and all applicable local codes, by a person familiar with the construction and operation of the product, and the hazards involved. Proper grounding is required for safety.

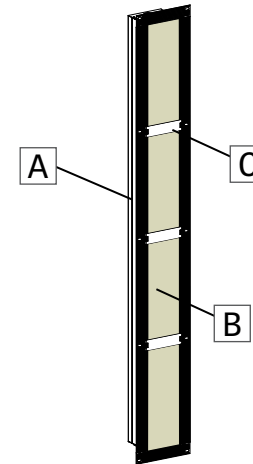
Ce produit doit être installé suivant le code national de l'électricité, ainsi que tous les codes locaux applicables, par une personne familière avec la construction et le fonctionnement du produit, ainsi que tous les risques qui y sont associés. La mise à terre électrique est obligatoire pour la sécurité.

1 SINGLE FIXTURE



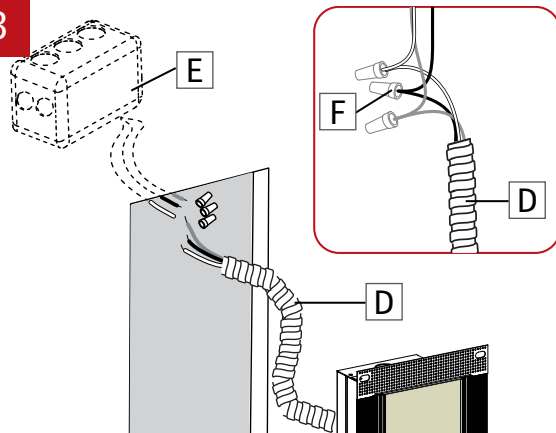
Prepare the area where the fixture is going to be installed. Cut hole in the drywall according to the dimensions [*] in the client drawings.

2



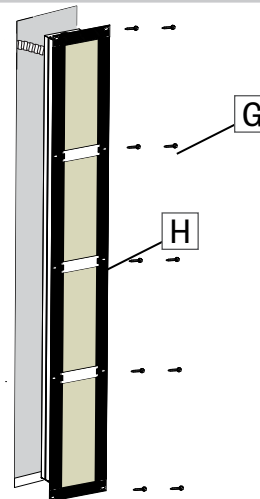
Make sure the power to the fixture (A) is turned off, the lens (B) is installed on the fixture and protected by a cover, and the spacer brackets (C) are in place.

3

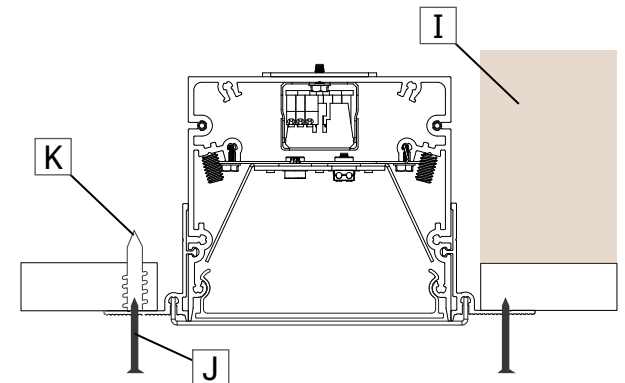


Make electrical connections between power cable (D) (by others) and junction box (E) using wire nuts (F). **Number of wires may vary.**
WARNING: A luminaire with more than one power supply connection means shall be connected to only one branch circuit.

4



Fasten drywall screws (G) through the obround holes of the flanges (H).



To reinforce the screws (J) that maintain the fixture in the drywall, wood blocking (I) or drywall anchors (K) must be used.

