

**IMPORTANT:** Installation instructions are shown with Via 4 and applies to all Via sizes

**NOTE:** Wire dimming conductors as Class 1

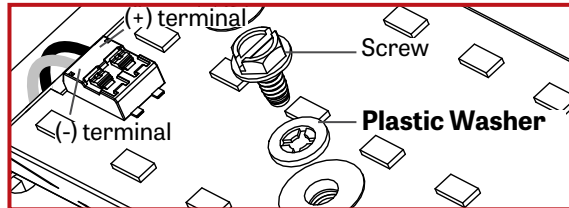


This product must be installed in accordance with the National Electrical Code and all applicable local codes, by a person familiar with the construction and operation of the product, and the hazards involved. Proper grounding is required for safety.

Ce produit doit être installé suivant le code national de l'électricité, ainsi que tous les codes locaux applicables, par une personne familière avec la construction et le fonctionnement du produit, ainsi que tous les risques qui y sont associés. La mise à terre électrique est obligatoire pour la sécurité.

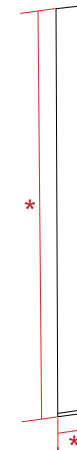


Reflector must be reinstalled with the screw and plastic washer that was originally supplied. If not, it can result in an electrical failure  
Make sure to reconnect the wires to the LED boards correctly



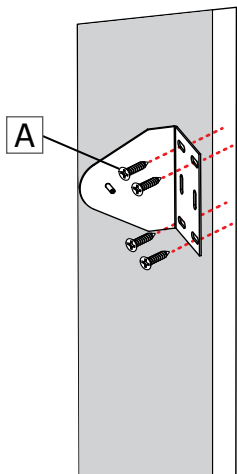
1

SINGLE FIXTURE



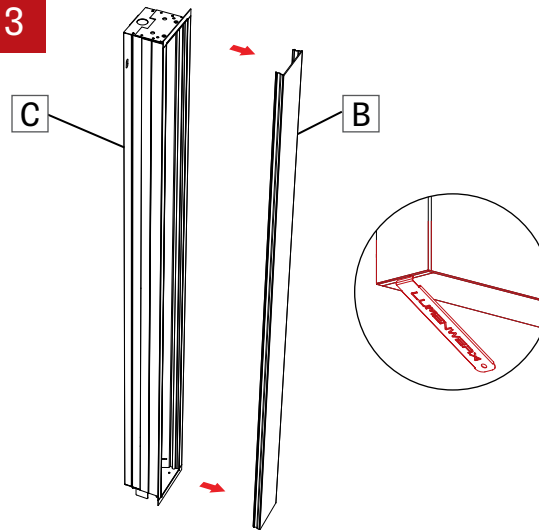
Prepare the area where the fixture is going to be installed. Cut hole in the drywall according to the dimensions [\*] given in the client drawings.

2



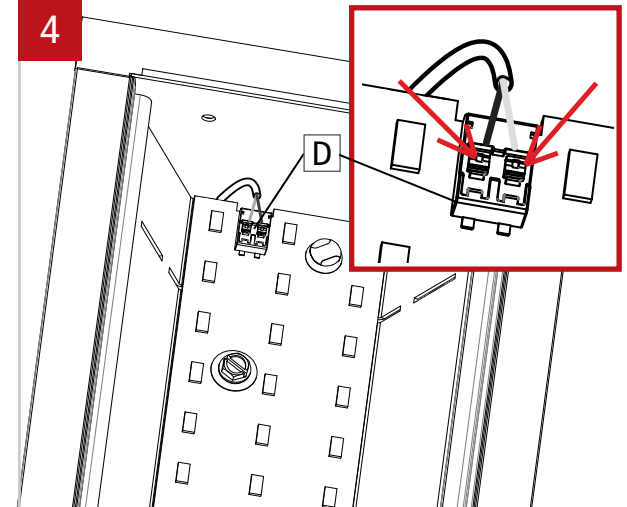
Insert mounting brackets (A) into the pre-cut hole and screw it to wall stud according to the dimensions given in the client drawings.

3



Remove the lens (B) from the fixture (C).

4



Disconnect LED molex connector (D) by taking a pointed object and pressing on the two tabs on the top.

**5**

Unscrew the cartridge (E) and remove it from the fixture. Place the cartridge in a safe place.

**6**

Make electrical connections between power cable (F)(by others) and junction box (G) using wire nuts (H). **Number of wires may vary.**  
**WARNING: A luminaire with more than one power supply connection means shall be connected to only one branch circuit.**

**7**

Insert the fixture (C) into the pre-cut hole in drywall, aligning studs of the bracket (I) with holes in the fixture (C). Put washers (J) and tighten nuts (K) to secure the fixture (C).

**8**

Reconnect the LED mox connector (D) to the cartridge (E). Reinstall the cartridges (E) by **using a screw with plastic washer (VIA 1.5-3-4-5). Do not apply too much pressure.**

**9**

Reinstall the lens (B).