

IMPORTANT: Applicable to Indirect and Direct / Indirect

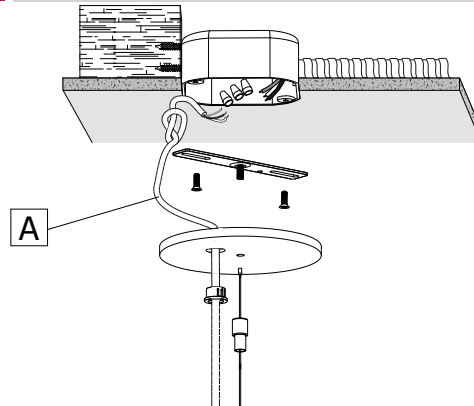
NOTE: Wire dimming conductors as Class 1



This product must be installed in accordance with the National Electrical Code and all applicable local codes, by a person familiar with the construction and operation of the product, and the hazards involved. proper grounding is required for safety.

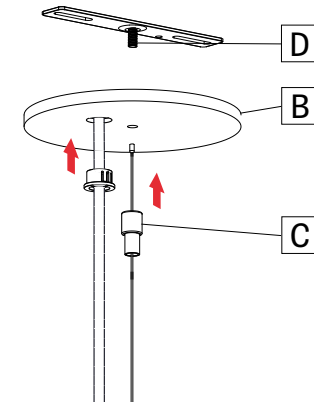
Ce produit doit être installé suivant le code national de l'électricité, ainsi que tous les codes locaux applicables, par une personne familière avec la construction et le fonctionnement du produit, ainsi que tous les risques qui y sont associés. la mise à terre électrique est obligatoire pour la sécurité.

1 SINGLE FIXTURE



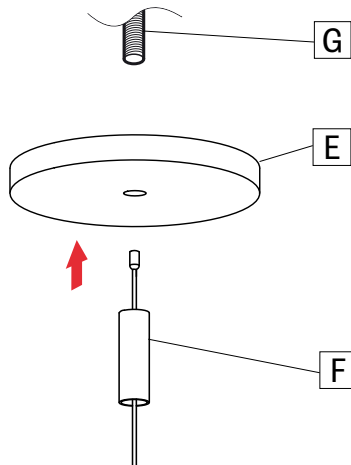
Locate ceiling mounting points according to supplied client drawing. Make a knot in the power cord (A) and then connect it to the ceiling power feed. **Warning : Power must come from Single branch circuit.**

2 POWER SIDE



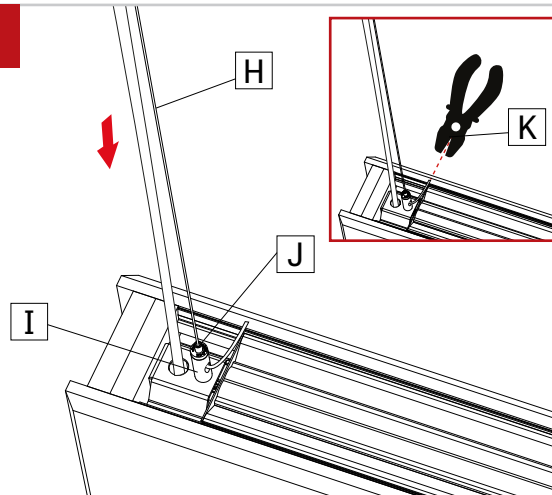
Secure canopy (B) with slip ring (C) on threaded rod (D).

3 NON-POWER SIDE



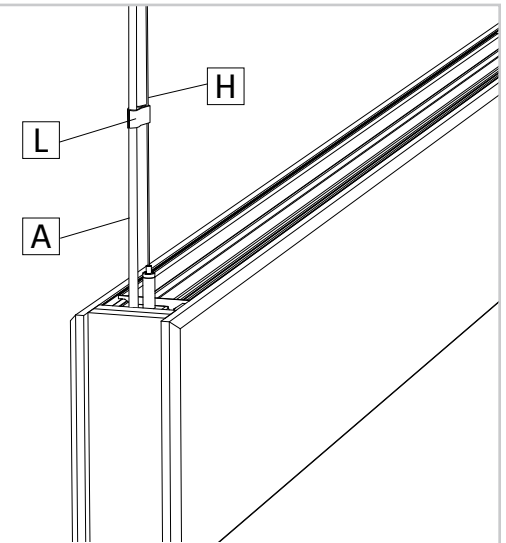
Secure canopy (E) with cable coupler (F) on crimp strud (1/4"-20) (G) (by other).

4



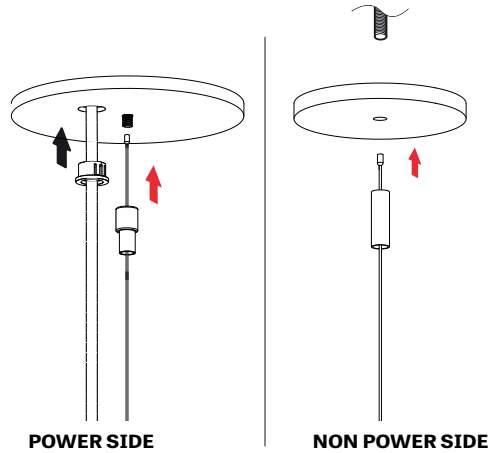
Insert the aircraft cable (H) into the griplock (I). Adjust the cable (H) length by pushing the feeder tube (J) and **cut the excess cable** with an aircraft cable cutter (K).

5

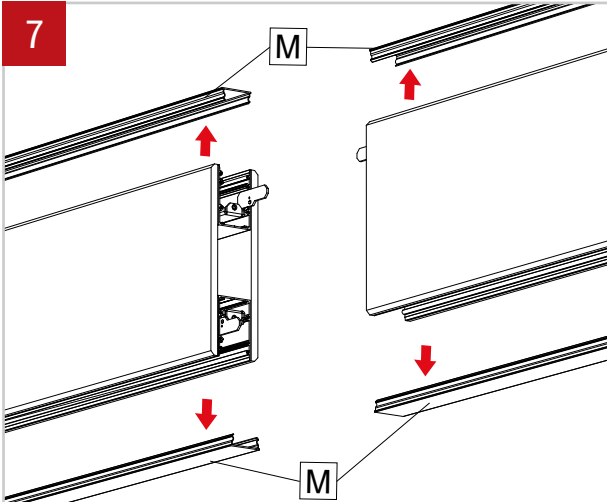


Secure power cord (A) to aircraft cable (H) with plastic clip (L).

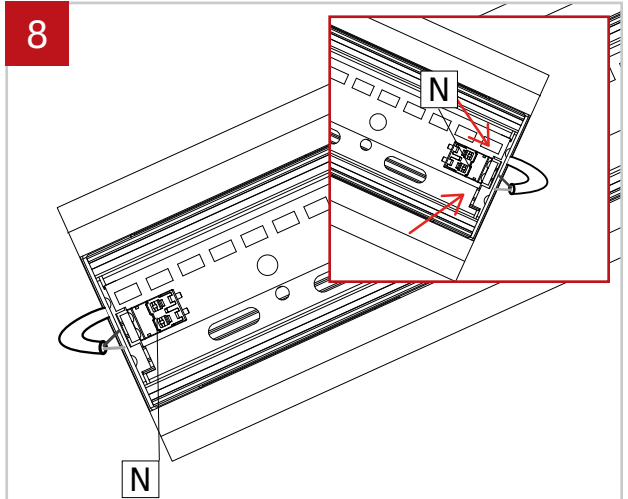
6 CONTINUOUS SYSTEM



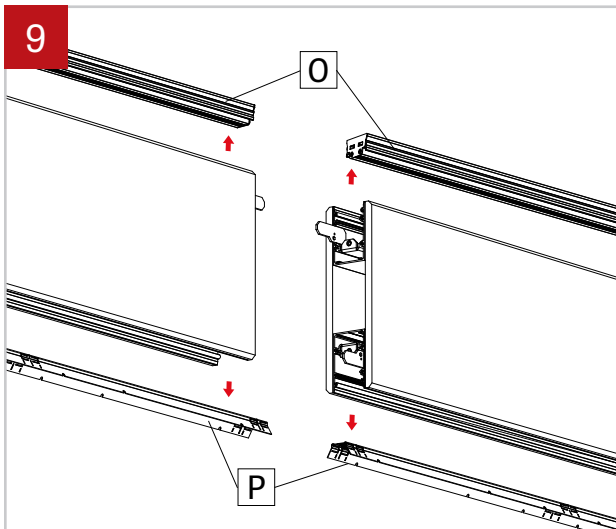
For a continuous system, repeat steps 1 to 3 for all mounting.



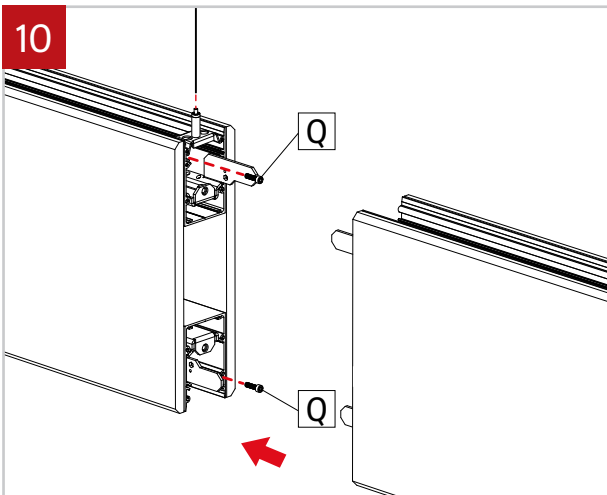
Remove the lenses (M) on both sides of the fixtures with the included lens tool.



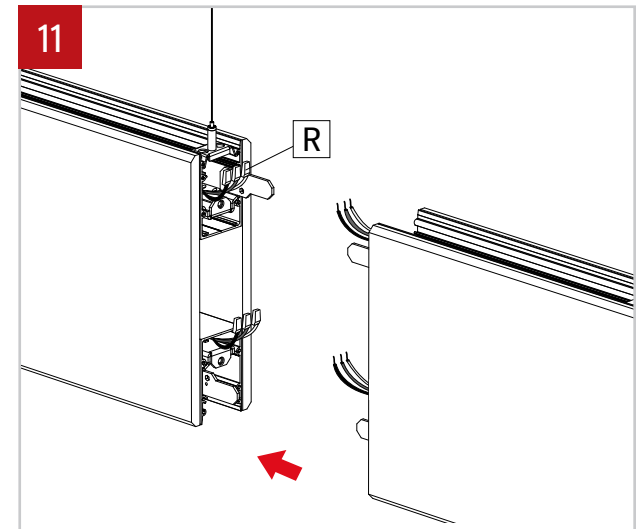
Disconnect LED molex connector (N) on both sides by taking a pointed object and pressing on the two tabs on the top.



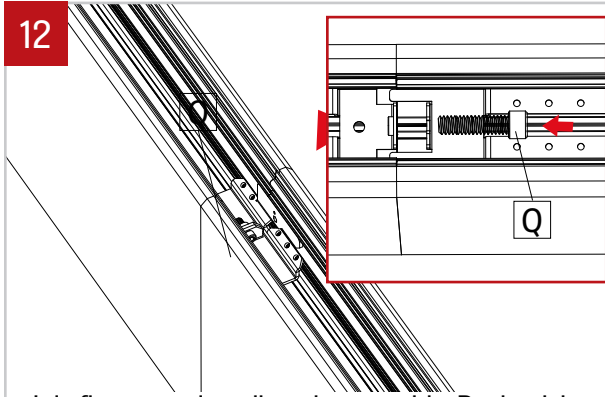
Remove all the end LED cartridges (O and P). Repeat steps 7 to 9 to all fixtures in the run.



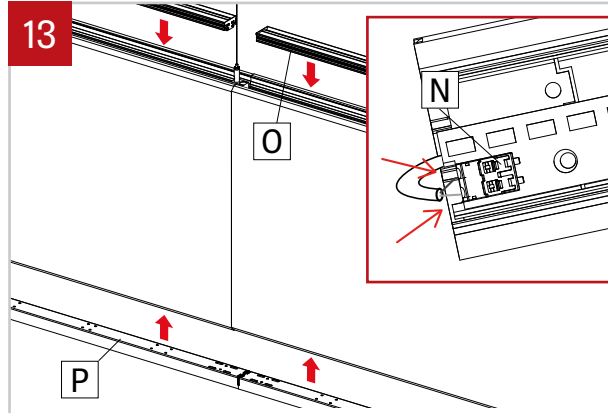
Install the aircraft cables on the first fixture. Then install it on the second fixture (as shown in steps 4 and 5). Remove the screw (Q) on the joiner and put it in a safe place.



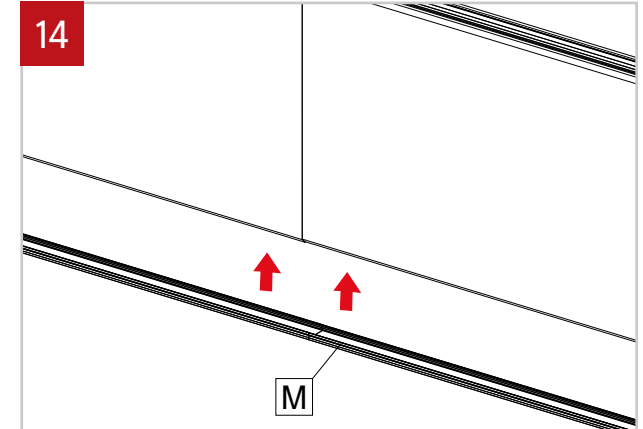
Connect wires between joining fixture using quick connectors (R). **Number of wires may vary.**



12 Join fixtures using align pins as guide. Put back in place the provided screw (Q) (using 3/16" Ball-End Screwdriver provided). Make sure that no wires are placed in between the extrusions, preventing the fixtures to be joined. Tight the screws (Q) on the top and bottom to pull the extrusions together. Repeat steps 10 to 12 for all others fixtures in the run.



13 Reinstall the cartridge (O and P) and reconnect the LED mox connector (N). **NOTE: connect blue wire into the negative (-) terminal and the red wire into (+) positive terminal.** Make sure that the wires are not hiding any LED diode. Screw the cartridge (P) back in place by **using screw with plastic washer. Do not apply too much pressure.**



14 Re-install lens (M) by simply pushing in the lens until it snaps in . (push evenly to prevent from damaging the lens).