

# VIA 2

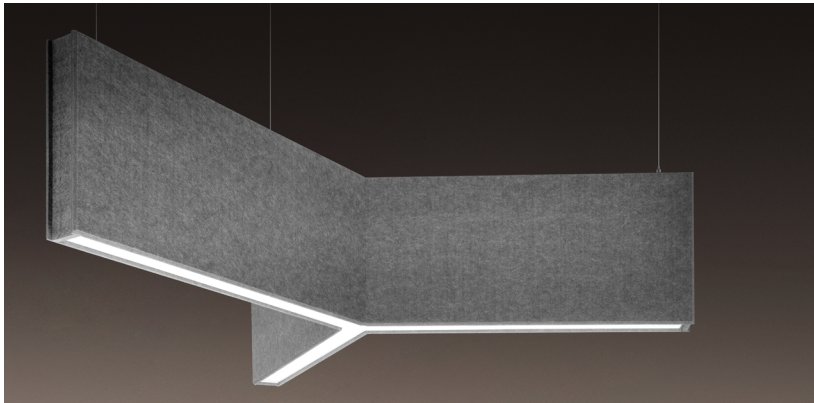
ACOUSTIX - SPOKE  
STATIC WHITE, BIOS ST/DY



# LUMENWERX

Project: \_\_\_\_\_

Type: \_\_\_\_\_



Via 2 Acoustix Pendant Y Spoke 2 ft

## DESCRIPTION

Via 2 Acoustix is available in pre-assembled X, and Y spoke shapes created by the mitering of corresponding linear Via units. Shipped directly from factory, the spokes not only incorporate all of the features that have made the Via family so successful—including its stylish regressed end cap and our High-Efficiency Lambertian Optic (HLO)—but they also possess the ability to dampen noise reverberation.

Up to 129 lm/W performance

## Order Guide

LUMINAIRE ID	DISTRIBUTION	LUMINAIRE HEIGHT	DIRECT OPTICS <small>Specify NA for Indirect fixture</small>	DIRECT LENS POSITION	INDIRECT OPTICS <small>Specify NA for Direct fixture</small>	LIGHT SOURCE <sup>2</sup>	CRI
				<b>FH</b>			
<b>VIA2ACOPY2</b> - Via 2 Acoustix Pendant Y Spoke 2 ft <b>VIA2ACOPY3</b> - Via 2 Acoustix Pendant Y Spoke 3 ft <b>VIA2ACOPX2</b> - Via 2 Acoustix Pendant X Spoke 2 ft	<b>DI</b> <sup>1</sup> - Direct/Indirect <b>D</b> - Direct <b>I</b> <sup>1</sup> - Indirect  <sup>1</sup> Not available with BIOS.	<b>8</b> - 8 inches <b>12</b> - 12 inches <b>16</b> - 16 inches	<b>HLO</b> - High-Efficiency Lambertian Optic <b>NA</b> - Not applicable	<b>FH</b> - Flush	<b>WIO2</b> - Widespread Indirect Optic <b>NA</b> - Not applicable	<b>SW</b> - Static white <b>BIOSST</b> - Static biologically-optimized lighting <b>BIOSDY</b> - Dynamic biologically-optimized lighting  <sup>2</sup> Chromawerx SOLA and DUO also available. Please consult factory.	<b>80</b> - 80CRI <b>90</b> <sup>3</sup> - 90CRI  <sup>3</sup> Not available with BIOS.

DIRECT LUMEN PACKAGES <small>Specify NA for Indirect fixture</small>			INDIRECT LUMEN PACKAGES <small>Specify NA for Direct fixture</small>			COLOR TEMP	VOLTAGE	DRIVER	ELECTRICAL	
VIA1.5ACOPY2	LOW <b>2100</b>	MEDIUM <b>3000</b>	HIGH <sup>4,5</sup> <b>4500</b>	LOW <b>2100</b>	MEDIUM <b>3000</b>	HIGH <sup>4,5</sup> <b>4500</b>	<b>27</b> <sup>6</sup> - 2700K <b>30</b> - 3000K <b>35</b> - 3500K <b>40</b> - 4000K	<b>120</b> -120V <b>277</b> - 277V <b>UNV</b> - 120V-277V <b>347</b> <sup>7</sup> - 347V	<b>D1</b> - 1% 0-10V <b>DA</b> <sup>8</sup> - DALI <b>LTEA2W</b> - Lutron 1% - 2 wire FP 120V <b>LDE1</b> <sup>8</sup> - Lutron Hi-Lume 1% Eco	<b>1</b> - 1 circuit <b>2</b> - 2 circuits <b>+#EB</b> <sup>9,10</sup> - Emergency battery <b>+#EM</b> <sup>11</sup> - Emergency light circuit <b>+#NL</b> <sup>11</sup> - Night light circuit
VIA1.5ACOPY3	<b>3150</b>	<b>4500</b>	<b>6750</b>	<b>3150</b>	<b>4500</b>	<b>6750</b>				
VIA1.5ACOPX2	<b>2800</b>	<b>4000</b>	<b>6000</b>	<b>2800</b>	<b>4000</b>	<b>6000</b>				
	<b>NA</b> - Not applicable			<b>NA</b> - Not applicable			<sup>6</sup> Not available with BIOS.	<sup>7</sup> Available with DI only.	<sup>8</sup> On-site commissioning is required.	
	<sup>4</sup> Not available with BIOS.			<sup>5</sup> For DI fixtures, the high output can only be combined with the medium or low output.					<sup>9</sup> Not available with BIOSDY. <sup>10</sup> Not available with 347V. <sup>11</sup> Not available with 2 circuits.	

MOUNTING	FIXTURE FINISH	FELT COLOR	OPTIONS																																				
	<b>W</b>																																						
<b>53WAC36W</b> - 36" aircraft cable, white canopies (5" power + 3" non-power), white power cord <b>53WAC36B</b> - 36" aircraft cable, white canopies (5" power + 3" non-power), black power cord <b>55WSW18</b> - 18" white stem, white canopies (5" power + 5" non power)  <a href="#">For all other options, refer to our Pendant Mounting Guide</a>	<b>W</b> - Matte white	<table border="0"> <tr> <th colspan="2">STANDARD COLORS</th> <th colspan="4">PREMIUM COLORS<sup>12,13</sup></th> </tr> <tr> <td> FWN</td> <td> LVN</td> <td> PKN</td> <td> CDN</td> <td> IVN</td> <td> BHN</td> </tr> <tr> <td> FON</td> <td> LEN</td> <td> OGN</td> <td> LCN</td> <td> SLN</td> <td> CFN</td> </tr> <tr> <td> ION</td> <td> CYN</td> <td> LNN</td> <td> SYN</td> <td> CNN</td> <td> GRN</td> </tr> <tr> <td> TBN</td> <td> PMN</td> <td> LMN</td> <td> BLN</td> <td> GHN</td> <td> MON</td> </tr> <tr> <td> MDN</td> <td> FGN</td> <td> EGN</td> <td> NVN</td> <td> CLN</td> <td> ESN</td> </tr> </table>	STANDARD COLORS		PREMIUM COLORS <sup>12,13</sup>				FWN	LVN	PKN	CDN	IVN	BHN	FON	LEN	OGN	LCN	SLN	CFN	ION	CYN	LNN	SYN	CNN	GRN	TBN	PMN	LMN	BLN	GHN	MON	MDN	FGN	EGN	NVN	CLN	ESN	<b>FU120</b> - Fuse 120V <b>FU277</b> - Fuse 277V <b>TB#</b> - T-bar caddy clip, specify grid size <b>TC#</b> - Tegular caddy clip, specify grid size <b>ST</b> - Screw slots caddy clip <b>NA</b> - None
STANDARD COLORS		PREMIUM COLORS <sup>12,13</sup>																																					
FWN	LVN	PKN	CDN	IVN	BHN																																		
FON	LEN	OGN	LCN	SLN	CFN																																		
ION	CYN	LNN	SYN	CNN	GRN																																		
TBN	PMN	LMN	BLN	GHN	MON																																		
MDN	FGN	EGN	NVN	CLN	ESN																																		
			<sup>12</sup> Please consult factory for more color options. <sup>13</sup> Lead time may vary.																																				

# VIA 2

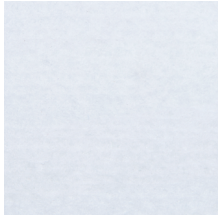
# LUMENWERX

ACOUSTIX - SPOKE  
STATIC WHITE, BIOS ST/DY

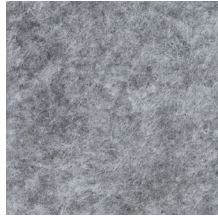
Project: \_\_\_\_\_

Type: \_\_\_\_\_

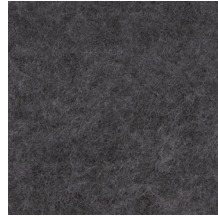
## Standard Color Options



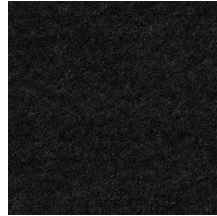
**FWN** - FROST WHITE



**FON** - FOG



**ION** - IRON



**TBN** - TRUE BLACK



**MDN** - MIDNIGHT BLUE



**LVN** - LAVENDER



**LEN** - LATTE



**CYN** - CHERRY



**PMN** - PLUM



**FGN** - FOREST GREEN

## Premium Color Options\*



**PKN** - PAPRIKA



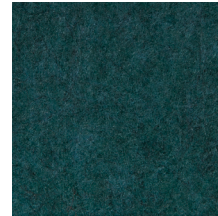
**OGN** - ORANGE



**LNN** - LEMON



**LMN** - LIME



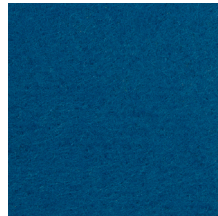
**EGN** - EVERGREEN



**CDN** - CLOUDY



**LCN** - LICHEN



**SYN** - SKY



**BLN** - BLUEBERRY



**NVN** - NAVY



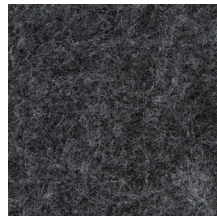
**IVN** - IVORY



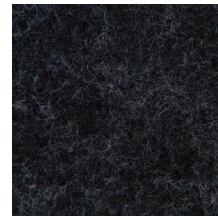
**SLN** - STEEL



**CNN** - CARBON



**GHN** - GRAPHITE



**CLN** - CHARCOAL



**BHN** - BLUSH



**CFN** - CAFÉ



**GRN** - GREIGE



**MON** - MOCHA



**ESN** - ESPRESSO

\*Please consult factory for more color options.  
\*Lead time may vary.

# VIA 2

ACOUSTIX - SPOKE  
 STATIC WHITE, BIOS ST/DY

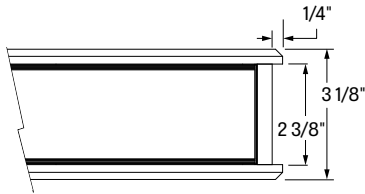
# LUMENWERX

Project: \_\_\_\_\_

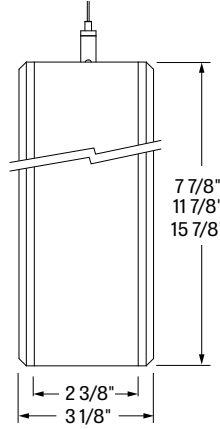
Type: \_\_\_\_\_

## Dimensions

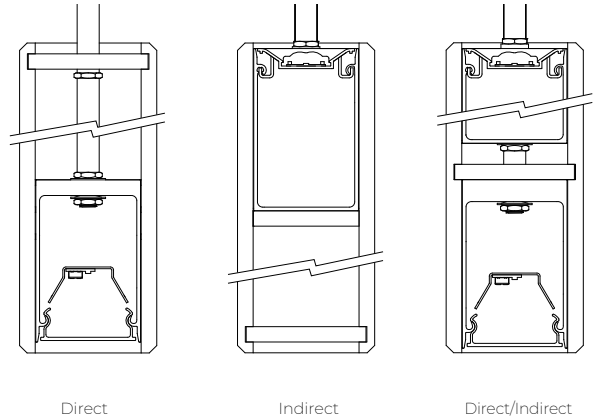
Bottom view



Side view

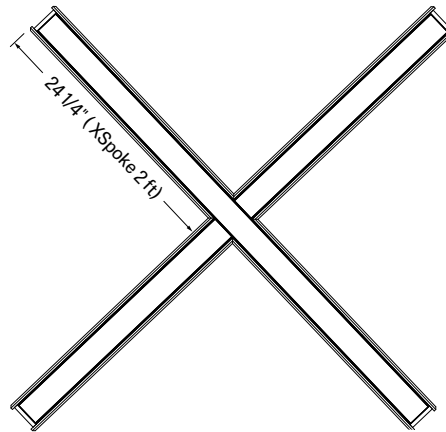
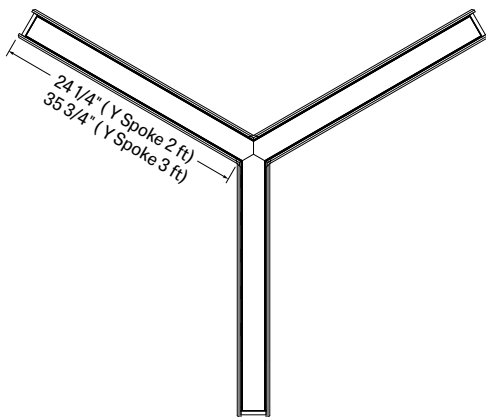
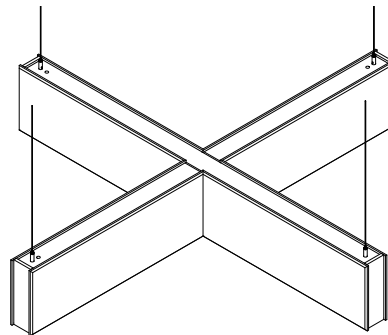
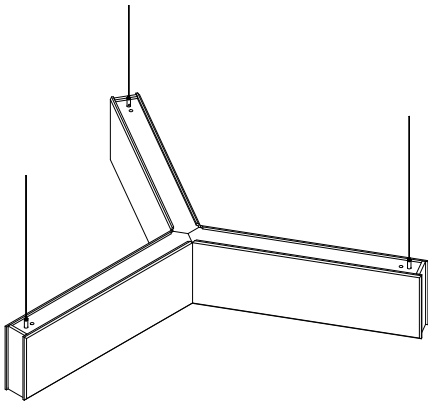


Section view



Via 1.5 Acoustix Pendant Y Spoke

Via 1.5 Acoustix Pendant X Spoke



Bottom View

Bottom View

# VIA 2

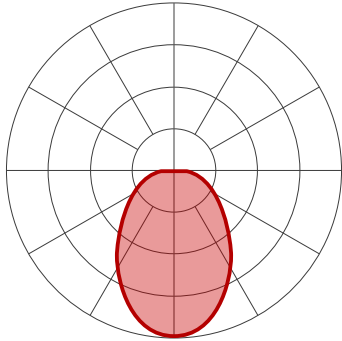
# LUMENWERX

ACOUSTIX - SPOKE  
 STATIC WHITE, BIOS ST/DY

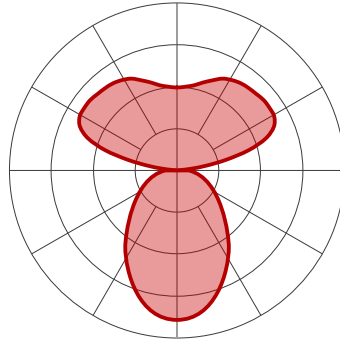
Project: \_\_\_\_\_  
 \_\_\_\_\_  
 Type: \_\_\_\_\_  
 \_\_\_\_\_

## Photometrics

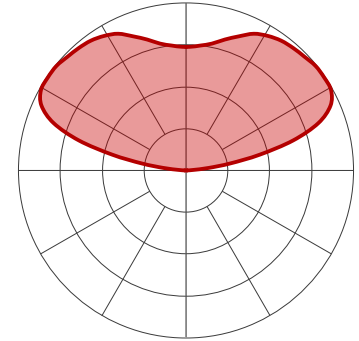
Please follow the multiplier tables to ensure correct lumen value. Lensing, CCT, and CRI will change the lumen output.



DIRECT (HLO-FH)



DIRECT/INDIRECT (HLO-FH-WIO2)



INDIRECT (WIO2)

### DIRECT

#### HLO-FH Delivered Lumens for Flush at 35K 80CRI

Lumens per Foot	Total Lumens Per 4FT	Input Watts	LPW
350	1400	13.5	103
500	2000	20	101
750	3000	29.5	102

### MULTIPLIER TABLE

#### Multiplier - CCT/CRI

CCT (K)	Watts Multiplier		LPW Multiplier	
	CRI80	CRI90	CRI80	CRI90
2700	1.05	1.26	0.95	0.79
3000	1.01	1.23	0.99	0.81
3500	1.00	1.20	1.00	0.84
4000	1.00	1.17	1.00	0.85

### DIRECT/INDIRECT

#### HLO-FH-WIO2 Delivered Lumens for Flush at 35K 80CRI

Lumen Package (Direct + Indirect)	Direct	Indirect	Total Lumens Per 4FT	Input Watts	LPW
350+350	1400	1400	2800	24.66	114
350+500	1400	2000	3400	29.57	115
350+750	1400	3000	4400	36.92	119
500+350	2000	1400	3400	30.84	110
500+500	2000	2000	4000	35.75	112
500+750	2000	3000	5000	43.1	116
750+350	3000	1400	4400	40.49	109
750+500	3000	2000	5000	45.4	110

### INDIRECT (WIO2)

#### WIO2 Delivered Lumens at 35K 80CRI

Lumens per Foot	Total Lumens Per 4FT	Input Watts	LPW
350	1400	11.06	127
500	2000	15.98	125
750	3000	23.33	129

All LEDs have been tested in accordance with IESNA LM-80-08 and the results have shown L80 lumen maintenance greater than 60,000 hours. Absolute product photometry is measured and presented in accordance with IESNA LM-79, unless otherwise indicated.

# VIA 2

# LUMENWERX

ACOUSTIX - SPOKE  
 STATIC WHITE, BIOS ST/DY

Project: \_\_\_\_\_  
 \_\_\_\_\_  
 Type: \_\_\_\_\_  
 \_\_\_\_\_

## Acoustic Calculator

Using the Lumenwerx Acoustix Value Calculator table, you can determine the number of acoustic luminaires required in a space by fixture type. We have three levels of recommended sound reduction: good, better, and best. Choosing one of these options will reduce the sound accordingly. The best option indicates the best acoustic improvement. Calculations are based on a standard ceiling height of 9 feet.



- ① Calculate the square feet of your room (L x W).
- ② Choose the level of acoustical improvement you are looking for, and find the corresponding value based on your room dimension and luminaire configuration.

% in reduction in reverberation time		
😊	GOOD	25%
😊😊	BETTER	40%
😊😊😊	BEST	50%

BODY	HEIGHT	Room dimensions under 300 sq ft			Room dimensions over 300 sq ft		
		GOOD 😊	BETTER 😊😊	BEST 😊😊😊	GOOD 😊	BETTER 😊😊	BEST 😊😊😊
Y Spoke 2 ft	8"	29	14	9	44	23	15
	12"	44	21	12	68	33	21
	16"	57	29	18	87	44	29
Y Spoke 3 ft	8"	43	20	14	65	34	23
	12"	65	32	18	101	50	32
	16"	86	43	27	131	65	43
X Spoke 2 ft	8"	38	18	12	58	30	20
	12"	58	28	16	90	44	28
	16"	76	38	24	116	58	38

- ③ Use the Lumenwerx Acoustix Value Formula to determine the number of luminaires needed in the room.

$$\text{Square feet} \div \text{Value} = \text{Number of luminaires}$$

Example:

**Luminaires:** Via 2 Acoustix Pendant Y Spoke 2 ft, 12" high  
**Room square feet:** L: 20 ft x W: 18 ft = 360 sq ft  
**Desired acoustical improvement:** Better = 33  
**Number of luminaires needed in the room:** 360 ÷ 33 = **11 luminaires**

NOTES:  
 - You can mix lit and blank fixtures.  
 - Lumenwerx acoustic calculators were developed to act as a guide. For precise acoustic performance in a space, please consult an acoustician.

# VIA 2

ACOUSTIX - SPOKE  
STATIC WHITE, BIOS ST/DY

# LUMENWERX

Project: \_\_\_\_\_

Type: \_\_\_\_\_

## Technical Specifications

### OPTICS

**High-Efficiency Lambertian Optic (HLO)** - shielding of diffusing 0.075" thick acrylic provides up to 88% transmission and good source obscuration. Matte white reflectors distribute LED output across the shielding. Luminaire brightness is controlled by the ratio of luminous flux to shielding area. HLO is available as a flush diffuser or as a drop diffuser, extending 1.5" below the luminaire housing. Drop diffuser is extruded with glued end caps.

**Widespread Indirect Optic (WIO2)** - Vertically oriented LED arrays couple light into a linear light guide. A specially designed TIR/microstructure extracts light into the desired "batwing" distribution with smooth ceiling brightness and wide spacing.

### LIGHT SOURCE - LED

Custom linear array of mid-flux LEDs are cartridge-mounted with quick-connect wiring to facilitate service and thermal management. Available in 2700K, 3000K, 3500K and 4000K with a minimum 80 CRI and an option for 90 CRI with elevated R9 value. Color consistency maintained to within 3 SDCM. LEDs operate at reduced drive current to optimize efficacy and lumen maintenance.



**WELL for Light** - The WELL building standard focuses on light quality in several features. There are three categories that are fully attributed to the construction and features of a luminaire. In WELL V1, it's Feature 54 Circadian Lighting, Feature 55 Glare Control, and Feature 58 Color Quality. In WELL V2, it's Feature L03 Circadian Lighting, Feature L04 Glare Control, and Feature L07 Electric Light Quality.

This fixture meets Features:

- Feature 54 or L03 when BIOS LED is selected
- Feature 55 or L04 meets WELL glare category (a-c-d)
- Feature 58 or L07 when 90CRI is selected

All LED drivers used at Lumenwerx are deemed to have a low risk level of flicker, of 5 % or less below 90Hz operational as defined by IEEE standard 1789-2015 LED.



**WELL for Sound** - This luminaire is recommended for use as an acoustical absorption surface to limit reverberation times (RT) in a given space. This luminaire contributes to noise reduction and vibration dampening to promote focus and concentration. Reverberation needs to be calculated in each space based on the materials used.

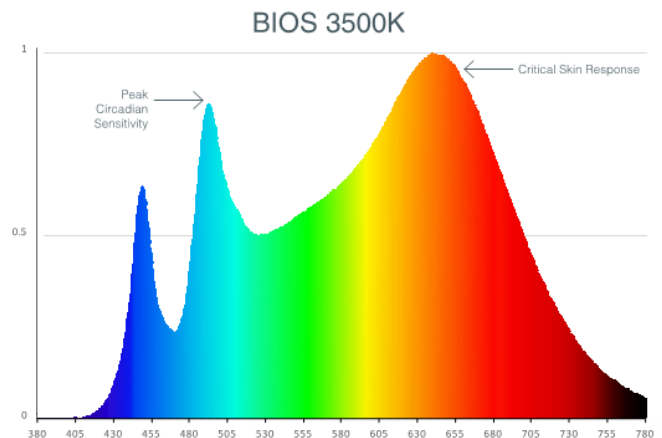


**WELL for Mind** -This luminaire meets WELL for mind as it is a human centric luminaire offering quality light, excellent color, smooth optics, and a sound diminishing element. If any of these features are incorporated in a luminaire, it can improve the ability to focus, concentrate, and persist longer on a given task. This fixture harmoniously operates in a space to assist the mind.

**For more information please contact [well@lumenwerx.com](mailto:well@lumenwerx.com).**



BIOS SkyBlue™ Technology is designed to provide the specific circadian stimulus to improve overall sleep quality, recovery during the night, and overall feelings of well-being. The non-visual light signals that stimulate our circadian system have peak intensity in the "sky blue" region. As the diagram below illustrates, BIOS SkyBlue technology shifts the peak LED spectral intensity (490 nm) to align better with the peak response of circadian stimulus. Also note the enhanced deep-red (near 660 nm) spectrum.



### LUMINAIRE SHAPE

Via 2 Acoustix Spoke is available in 2 shapes, Y and X spoke, and 3 height options, 8", 12", and 16". Y spoke comes in 2' and 3' options, and X spoke comes in 2' only.

# VIA 2

ACOUSTIX - SPOKE

STATIC WHITE, BIOS ST/DY

# LUMENWERX

Project: \_\_\_\_\_

Type: \_\_\_\_\_

## ELECTRICAL

Factory-set, adjustable output current LED driver with universal (120-277VAC) input. Dimmable from 100% to 1% with 0-10V dimming control. Rated life (90% survivorship) of 50,000 hours at 50°C max. ambient (and 70°C max. case) temperature. At maximum driver load: Efficiency>84%, PF>0.9, THD<20%. Other specifiable options include Lutron Hi-Lume 1% (specify 2-wire, or Ecosystem Dim-to-Off), and DALI protocol drivers. All of our standard 0-10V drivers are NEMA 410 compliant.

## EMERGENCY REMOTE

Factory installed long life, high temperature, maintenance-free Lithium-Ion battery pack with self-test functionality, test switch and charge indicator. Minimum of 90 minutes operation, up to 10W (25°C) emergency lighting output and recharge time of 24 hours.

## MOUNTING OPTIONS

**For cable-mounted fixtures** - 53WAC36 (5" white canopy for all power mounting point, 3" white canopy for non power mounting point, and a 36" cable)

**For stem mounted fixtures** - 55WSW18 (5" white canopy for all power mounting point, and non power mounting point, and a 18" white stem)

Caddy clips, if required specify under OPTIONS

## FINISH

**Interior** - 95%, reflective matte powder coated white paint

**Exterior** - matte white powder coating

## ACOUSTIC FINISH

Material is 100% polyester containing up to 50% of recycled plastic bottles (PET) with an ASTM E-84 Class A fire rating and is moisture resistant.

## CARE

Remove dust and debris with a clean, dry, soft, lint-free cloth, or vacuum.

## CONSTRUCTION

**Housing** - Extruded aluminum (0.095" nominal) up to 90% recycled content

**Interior brackets** - Die formed cold rolled sheet steel 18 gauge thick

**Reflectors** - Cold rolled steel 0.024" thick precisely die formed, 95% reflective matte white painted

**Diffuser** - 0.075" thick acrylic, 88% transmission

**End caps** - Die cast aluminum (0.95" nominal)

**Hanger** - Chromed Griplock securely attached with spring steel hardware in end caps and/or joiners

**Aircraft cable suspension** - 7x7 braids aluminum aircraft cable 0.06" thick

**Stem** - 0.5" diameter threaded steel tube matte white or aluminum powder coating. Custom finishes are also available.

## WEIGHT

### Direct - (16in fixture)

**Via 2 Acoustix Spoke Y 2ft** - 14.07lbs - 6.38kg

**Via 2 Acoustix Spoke Y 3ft** - 19.71.46lbs - 8.94kg

**Via 2 Acoustix Spoke X 2ft** - 19.04lbs - 8.64kg

### Indirect - (16in fixture)

**Via 2 Acoustix Spoke Y 2ft** - 14.94lbs - 6.77kg

**Via 2 Acoustix Spoke Y 3ft** - 21.31lbs - 9.66kg

**Via 2 Acoustix Spoke X 2ft** - 21.1lbs - 9.57kg

### Direct/Indirect - (16in fixture)

**Via 2 Acoustix Spoke Y 2ft** - 25.96lbs - 11.76kg

**Via 2 Acoustix Spoke Y 3ft** - 36.61lbs - 16.60kg

**Via 2 Acoustix Spoke X 2ft** - 36.82lbs - 16.70kg

## ENVIRONMENT

Ambient temperature at fixture location shall not exceed 30°C/86°F. For indoor use only.

## CERTIFICATIONS

**ETL** - Rated for Indoor Dry/Damp locations. Conforms to UL Standard 1598 and certified to CAN/CSA Standard C22.2 No. 250.0.

## WARRANTY

Lumenwerx provides a five-year limited warranty of electrical and mechanical performance of the luminaires, including the LED boards, drivers, and auxiliary electronics. Lumenwerx will repair or replace defective luminaires or components at our discretion, provided they have been installed and operated in accordance with our specifications. Other limitations apply, please refer to the full warranty on our website.