

VIA 2 PRISM/VIA 2 PRISM COMBINATION

Pendant

LUMENWERX



This product must be installed in accordance with the National Electrical Code and all applicable local codes, by a person familiar with the construction and operation of the product, and the hazards involved. Proper grounding is required for safety.

Ce produit doit être installé suivant le code national de l'électricité, ainsi que tous les codes locaux applicables, par une personne familière avec la construction et le fonctionnement du produit, ainsi que tous les risques qui y sont associés. La mise à terre électrique est obligatoire pour la sécurité.



Wire dimming conductors as Class 1.



For electrical connections, please refer to the [Wiring Diagram Guide](#).

SINGLE FIXTURE - CABLE

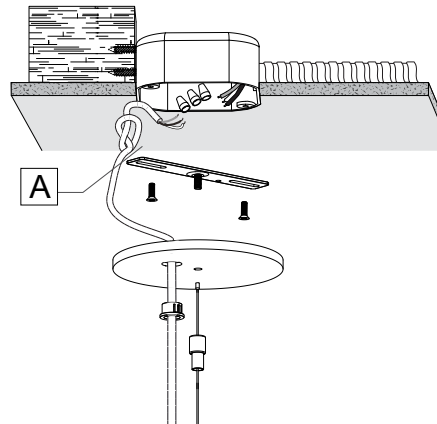
1 MAKE ELECTRICAL CONNECTIONS TO MAIN POWER.

CAUTION: Make sure the electrical power is turned off.

Locate ceiling mounting points according to the provided client drawings. Make a knot in the power cord [A] and then connect it to the main power.

NOTE: Number of wires may vary.

WARNING: A luminaire with more than one power supply connection means shall be connected to only one branch circuit.



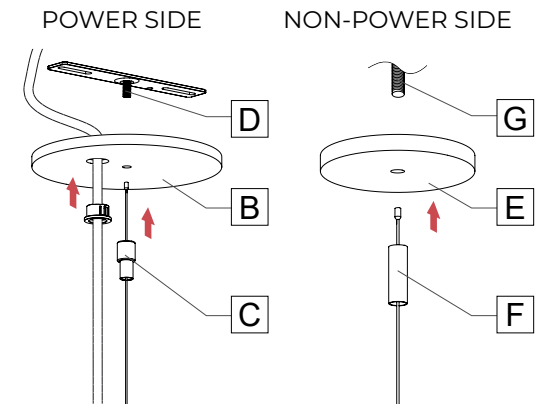
2 INSTALL ALL OF THE CANOPIES.

POWER SIDE

Secure the canopy [B] with the slip ring [C] on the threaded rod [D].

NON-POWER SIDE

Secure the canopy [E] with the cable coupler [F] on the threaded rod (1/4"-20) [G] (by others).

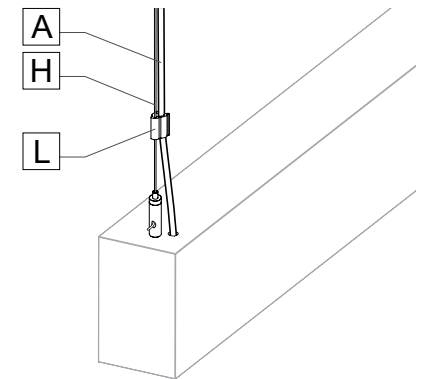
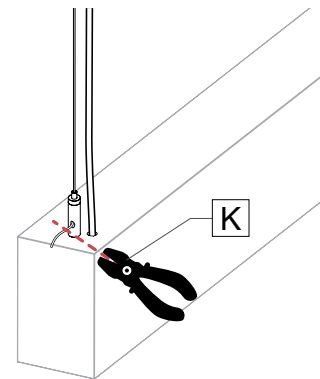
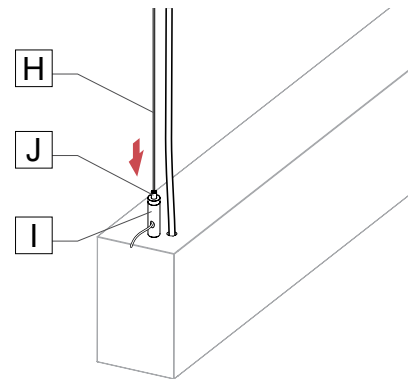


3 INSTALL AIRCRAFT CABLES.

Insert the aircraft cable [H] into the griplock [I]. Adjust the aircraft cable [H] length by pushing the feeder tube [J].

Cut the excess cable with an aircraft cable cutter [K].

Secure the power cord [A] to the aircraft cable [H] with the plastic clip [L].



VIA 2 PRISM/VIA 2 PRISM COMBINATION

LUMENWERX

Pendant

SINGLE FIXTURE - STEM

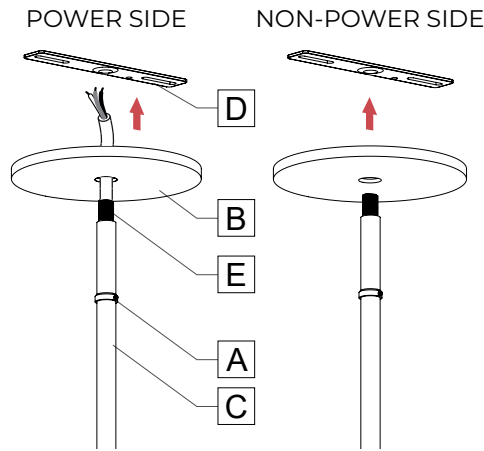
1 INSTALL STEMS TO CANOPIES.

CAUTION: Make sure the electrical power is turned off.

Locate ceiling mounting points according to the provided client drawings.

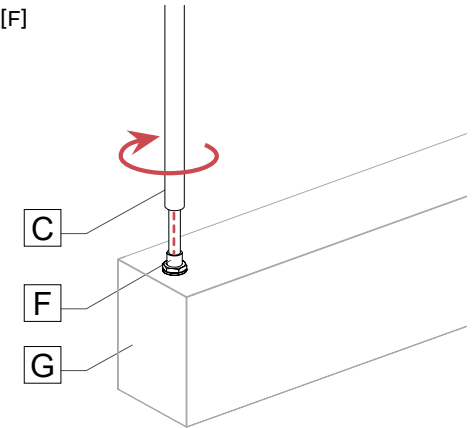
Slide the slip ring [A] and the canopy [B] onto the stem [C] and leave some space.

Screw the junction box crossbar [D] onto the stem's nipple [E].



2 INSTALL STEMS ON FIXTURE.

Screw the stems [C] onto the nipple [F] at the ends of the fixture [G].



3 INSTALL FIXTURE TO CEILING.

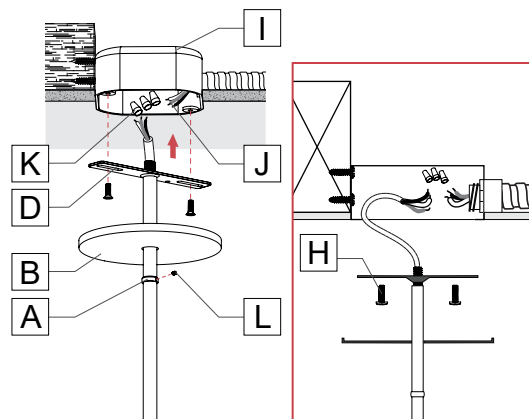
POWER SIDE

Raise the fixture and tighten the junction box crossbar [D] with screws [H] to the junction box [I].

Make wire connections to the main power [J] with wire nuts [K] (by others).

Slide the canopy [B] up and tighten with the slip ring [A] with the set screw [L].

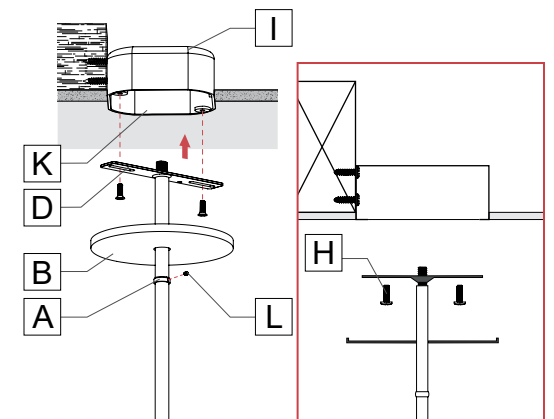
WARNING: A luminaire with more than one power supply connection means shall be connected to only one branch circuit.



NON-POWER SIDE

Raise the fixture and tighten the junction box crossbar [D] with screws [H] to the junction box [I].

Slide the canopy [B] up and tighten the slip ring [A] with the set screw [L].



VIA 2 PRISM/VIA 2 PRISM COMBINATION

LUMENWERX

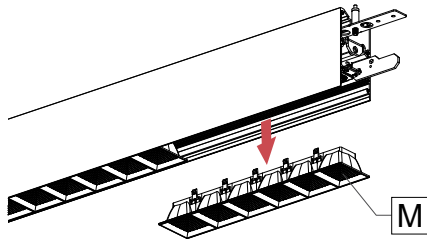
Pendant

CONTINUOUS RUN - STEM & CABLE

1 REMOVE OPTICS.

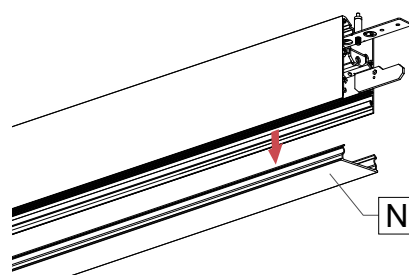
PRISM LOUVER

Remove the prism louvers [M] from the joining ends of the fixtures in the run.



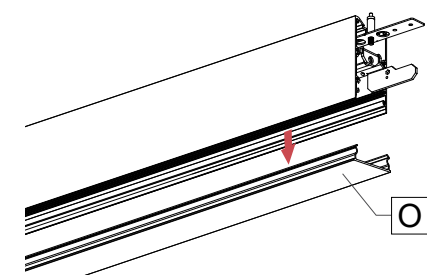
HLO

Remove the lens [N] from the joining ends of the fixtures in the run.



BLANK

Remove the covers [O] from the joining ends of the fixtures in the run.

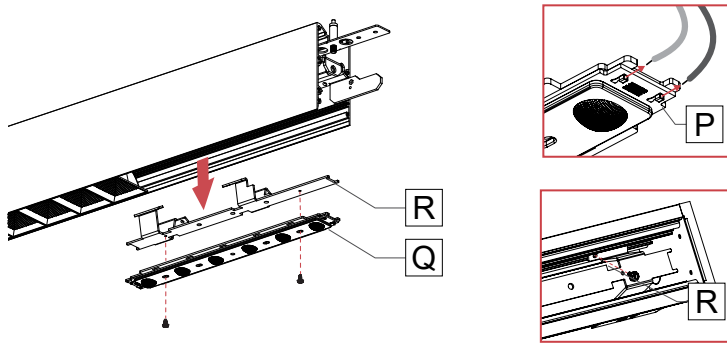


2 DISCONNECT AND REMOVE CARTRIDGES.

Disconnect LED moxex connector [P] by taking a pointed object and pressing on the two tabs on the top.

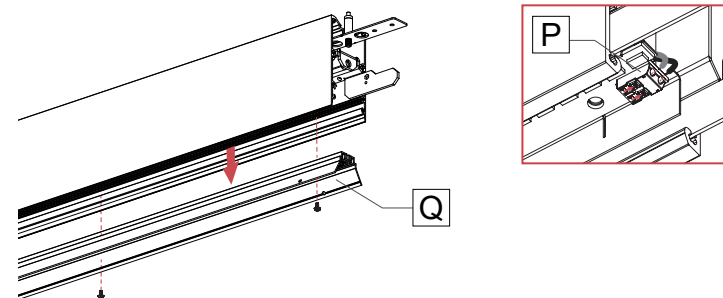
PRISM LOUVER

Remove the bracket [R] and the cartridges [Q] from the fixture.



HLO

Remove the cartridges [Q] from the fixture.



VIA 2 PRISM/VIA 2 PRISM COMBINATION

LUMENWERX

Pendant

3 INSTALL THE FIXTURES TO THE CEILING BY FOLLOWING ALL THE STEPS FROM THE SINGLE FIXTURE INSTRUCTIONS.

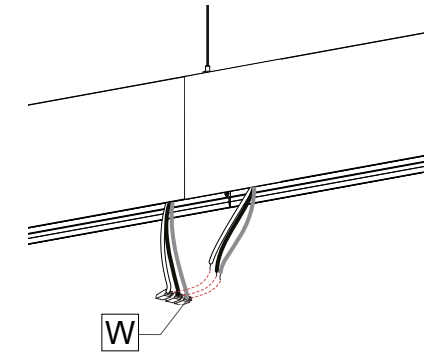
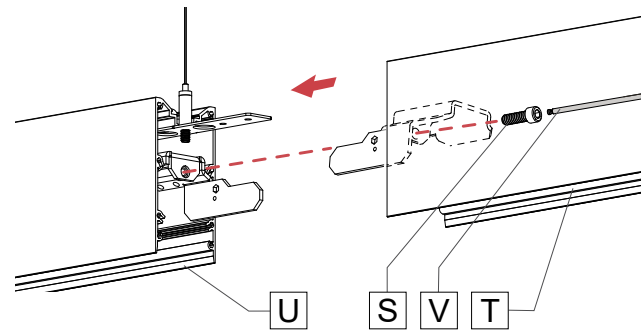
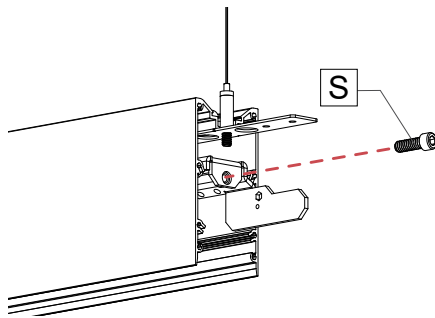
4 JOIN FIXTURES.

Remove the screw [S] on the joiner and put it in a safe place.

Align the second fixture [T] to the first fixture [U].
Join the fixtures together. Put the joiner screw [S] back and tighten using a 3/16" ball-end screwdriver [V] to pull the extrusions together.

Connect wires between joining fixtures using wire nuts [W].

NOTE: Number of wires may vary.

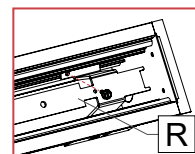
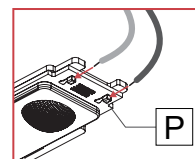
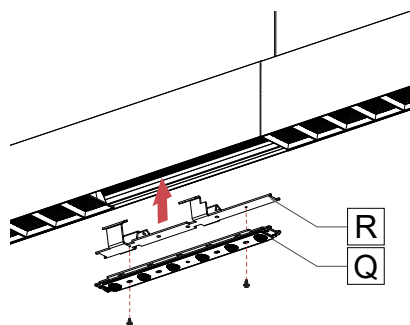


5 REINSTALL CARTRIDGES.

PRISM LOUVER

Reinstall the cartridges [Q] and the brackets [R].

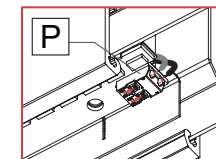
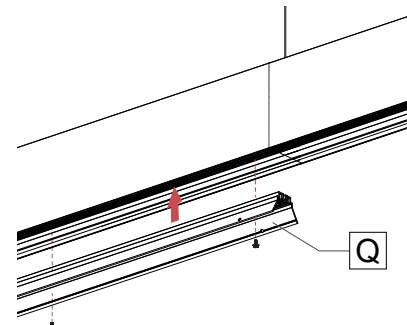
Reconnect the LED moxex connector [P].



HLO

Reinstall the cartridges [Q].

Reconnect the LED moxex connector [P].



NOTE: Connect the black wire into the negative (-) terminal, and the white wire into the positive (+) terminal.



VIA 2 PRISM/VIA 2 PRISM COMBINATION

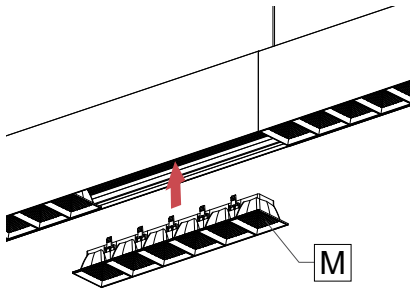
LUMENWERX

Pendant

6 REINSTALL DIRECT OPTICS.

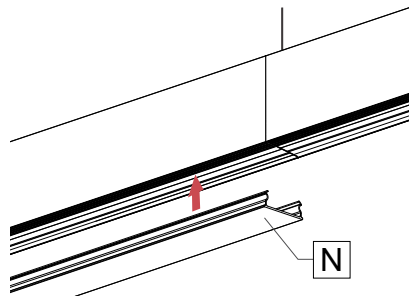
PRISM LOUVER

Put the prism louvers [M] back in place.



HLO

Put the lens [N] back in place.



BLANK

Put the covers [O] back in place.

