



VIA 2 PRISM/VIA 2 PRISM COMBINATION


Recessed - Grid Ceiling

LUMENWERX

 This product must be installed in accordance with the National Electrical Code and all applicable local codes, by a person familiar with the construction and operation of the product, and the hazards involved. Proper grounding is required for safety.

Ce produit doit être installé suivant le code national de l'électricité, ainsi que tous les codes locaux applicables, par une personne familière avec la construction et le fonctionnement du produit, ainsi que tous les risques qui y sont associés. La mise à terre électrique est obligatoire pour la sécurité.

 Wire dimming conductors as Class 1.

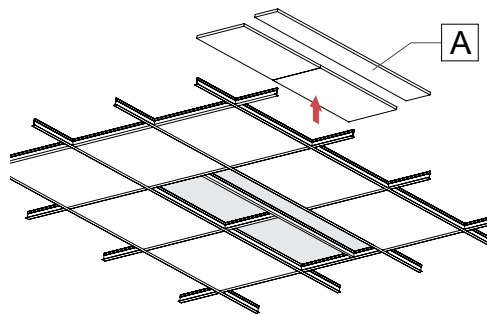
 For electrical connections, please refer to the [Wiring Diagram Guide](#).

SINGLE FIXTURE

1 PREPARE CEILING OPENING.

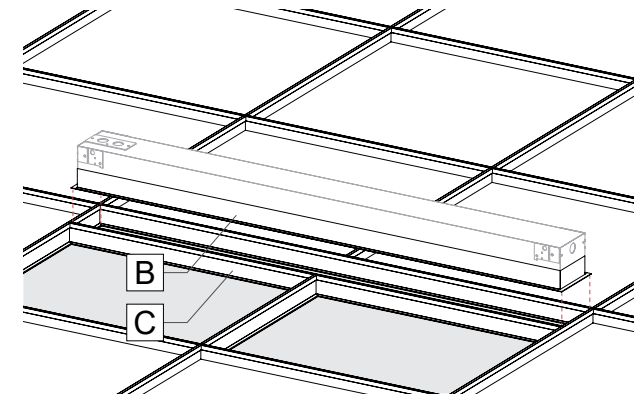
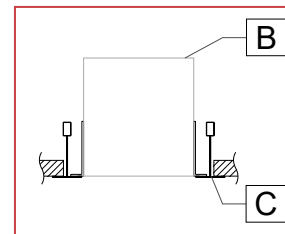
Caution: Make sure the electrical power is turned off.

Remove ceiling tiles [A] where the fixture will be installed as well as the adjacent tiles for easy access during installation.



2 PLACE FIXTURE ON T-BAR GRID.

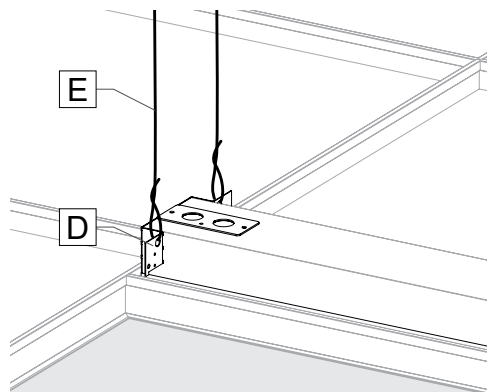
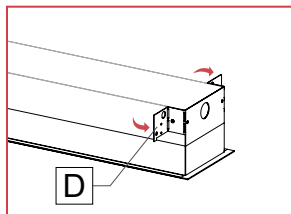
Raise the fixture [B] above the ceiling and lower the fixture [B] onto the T-bars [C].



3 SECURE FIXTURE.

Bend the tabs [D] on the ends of the fixture.

Attach safety wires [E] to the tabs [D].



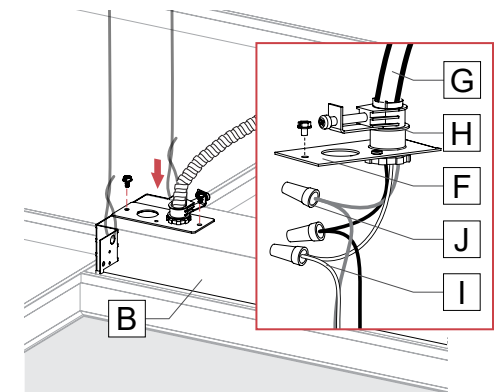
4 MAKE ELECTRICAL CONNECTIONS.

Remove the power plate [F] from the fixture [B]. Pass the main power cable [G] (by others) through the cable connector [H] (by others), and install onto the provided power plate [F].

Make electrical connections between the main power cable [C] and fixture cable [I] using wire nuts [J] (by others). Reinstall the power plate [F] to the fixture [B].

Note: Number of wires may vary.

Warning: A luminaire with more than one power supply connection means shall be connected to only one branch circuit.



VIA 2 PRISM/VIA 2 PRISM COMBINATION

LUMENWERX

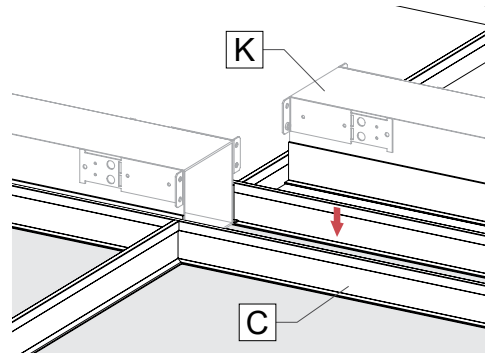
Recessed - Grid Ceiling

CONTINUOUS RUN

1 FOR A CONTINUOUS RUN, FOLLOW STEPS **1, 2,** AND **4** FROM THE SINGLE FIXTURE INSTRUCTIONS FOR THE FIRST FIXTURE, THEN:

2 INSTALL THE 2ND FIXTURE.

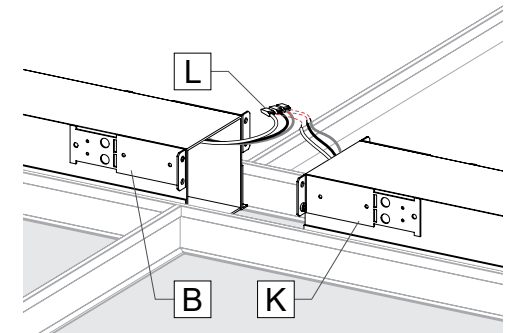
Raise the the second fixture **[K]** above the ceiling and lower onto the T-bars **[C]**.



3 MAKE ELECTRICAL CONNECTIONS.

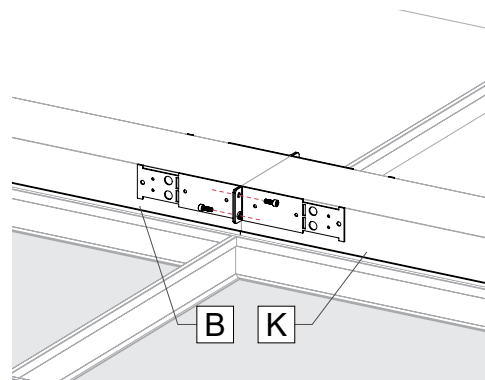
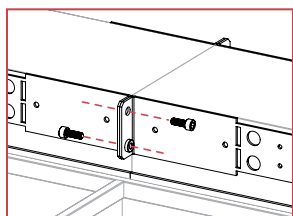
Make electrical connections between the two fixtures **[B]** and **[K]** using wire nuts **[L]** (by others).

Note: Number of wires may vary.



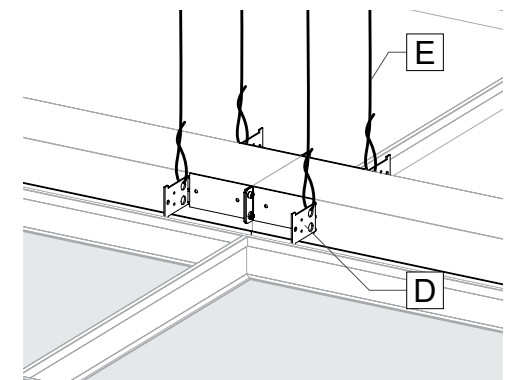
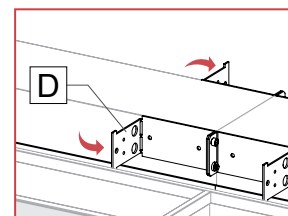
4 ATTACH FIXTURES.

Join the two fixtures **[B]** and **[K]** using screws.



5 SECURE FIXTURES.

Bend the tabs **[D]** on the ends of the fixtures. Attach safety wires **[E]** to the tabs **[D]**.



6 REPEAT THE STEPS **2-5** FOR ALL OTHER FIXTURES IN THE RUN.