


# VIA 2 PRISM/VIA 2 PRISM COMBINATION


Recessed - Drywall Trim / Trimless

# LUMENWERX

 This product must be installed in accordance with the National Electrical Code and all applicable local codes, by a person familiar with the construction and operation of the product, and the hazards involved. Proper grounding is required for safety.

Ce produit doit être installé suivant le code national de l'électricité, ainsi que tous les codes locaux applicables, par une personne familière avec la construction et le fonctionnement du produit, ainsi que tous les risques qui y sont associés. La mise à terre électrique est obligatoire pour la sécurité.

 Wire dimming conductors as Class 1.

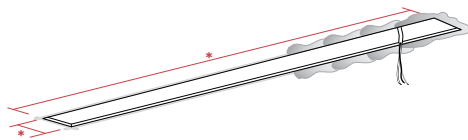
 For electrical connections, please refer to the [Wiring Diagram Guide](#).

## SINGLE FIXTURE

### 1 PREPARE CEILING OPENING.

**Caution:** Make sure the power to the fixture is turned off.

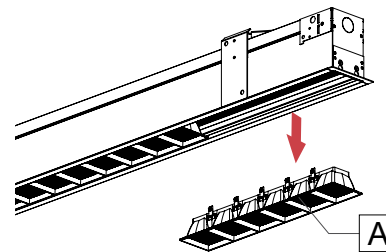
Prepare the area where the fixture is going to be installed. Cut hole in the drywall according to the dimensions [\*] in the client drawings. Tape and finish the edges of the drywall.



### 2 REMOVE OPTICS.

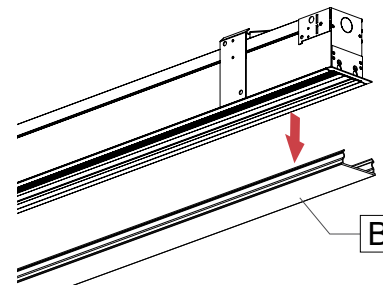
#### PRISM LOUVER

Remove prism louvers [A] from the fixture.



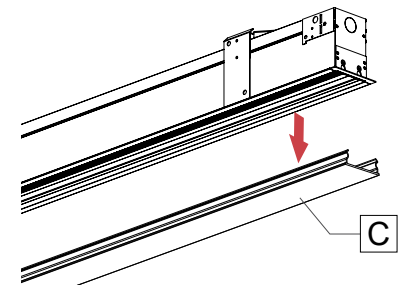
#### HLO

Remove the lens [B] from the fixture.



#### BLANK

Remove the cover [C] from the fixture.

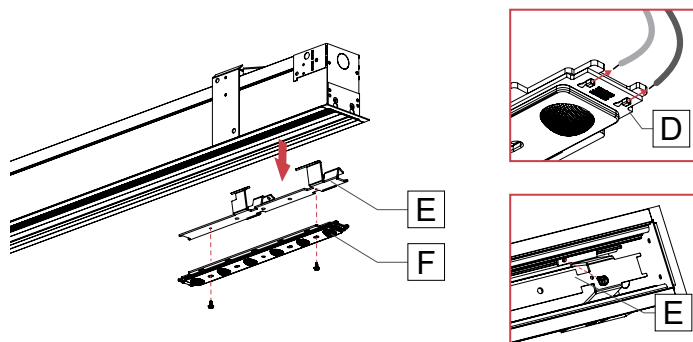


### 3 DISCONNECT AND REMOVE CARTRIDGES.

Disconnect LED molex connector [D] by taking a pointed object and pressing on the two tabs on the top.

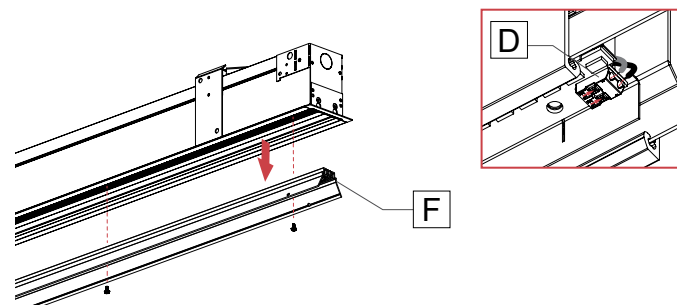
#### PRISM LOUVER

Remove the bracket [E] and the cartridges [F] from the fixture.



#### HLO

Remove the cartridges [F] from the fixture.



# VIA 2 PRISM/VIA 2 PRISM COMBINATION

Recessed - Drywall Trim / Trimless

# LUMENWERX

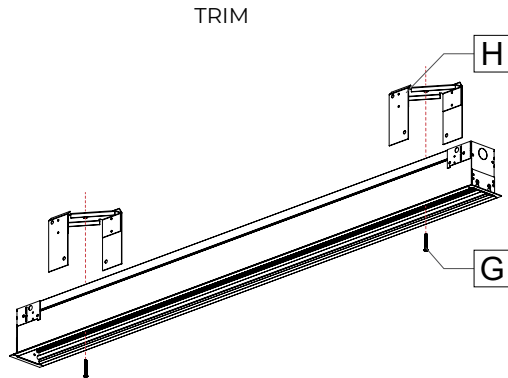
## 4 FIX BRACKETS TO FIXTURE.

### TRIM only

**Note:** For Trimless, skip to step 5.

Remove the screws [G] from the drywall brackets [H]. Install the drywall brackets [H] on the fixture and secure them by putting back in place the screws [H].

Make sure that the screws are not overtighten and that the drywall brackets [H] don't rotate in place.



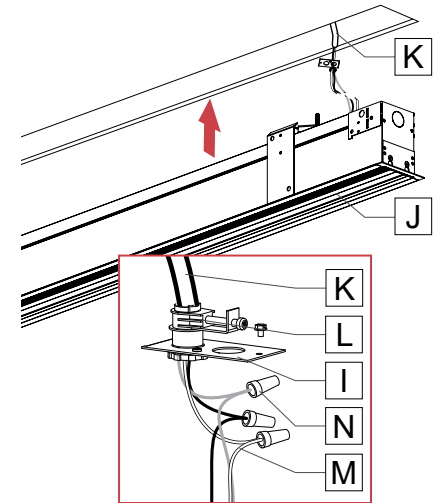
## 5 MAKE ELECTRICAL CONNECTIONS.

Remove the power plate [I] from the fixture [J]. Pass the main power cable [K] (by others) through the cable connector [L] (by others), and install onto the provided power plate [I].

Make electrical connections between the main power cable [K] and fixture cable [M] using wire nuts [N] (by others). Reinstall the power plate [I] to the fixture [J].

**Note:** Number of wires may vary.

**Warning:** A luminaire with more than one power supply connection means shall be connected to only one branch circuit.



## 6 FIX FIXTURE TO CEILING.

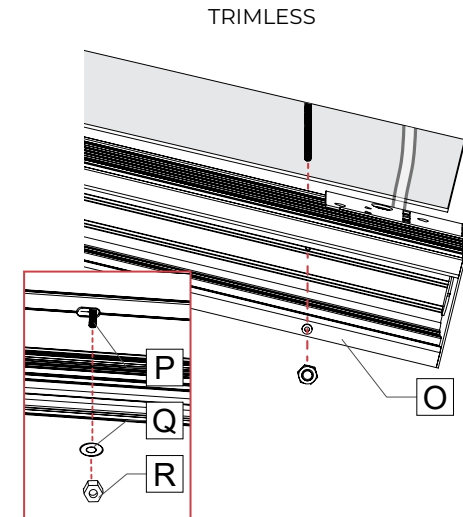
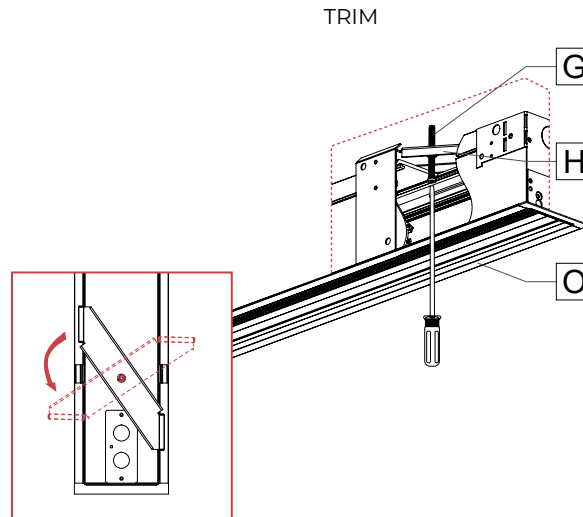
### TRIM

Insert the fixture [O] into the pre-cut hole in the drywall. Tighten the drywall bracket screws [G] to rotate the drywall brackets [H] in place. Tighten the drywall bracket screws [G] again to lock into place.

### TRIMLESS

Insert the fixture [O] into the pre-cut hole in the drywall, aligning the threaded rods [P] (by others) with the holes on top of the fixture [O].

Put washers [Q] and tighten nuts [R] to secure the fixture [O].



# VIA 2 PRISM/VIA 2 PRISM COMBINATION

LUMENWERX

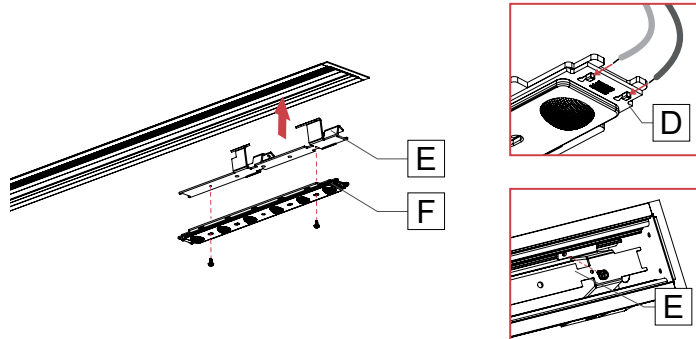
Recessed - Drywall Trim / Trimless

## 7 REINSTALL CARTRIDGES.

### PRISM LOUVER

Reinstall the cartridges [F] and the brackets [E].

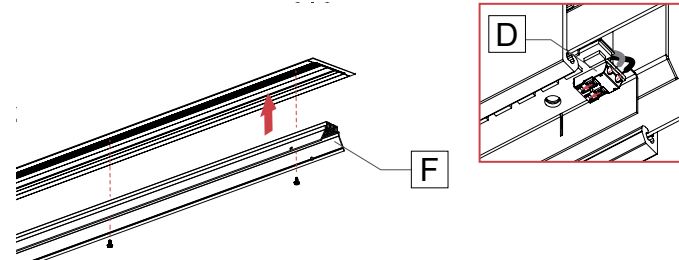
Reconnect the LED moxex connector [D].



### HLO

Reinstall the cartridges [F].

Reconnect the LED moxex connector [D].

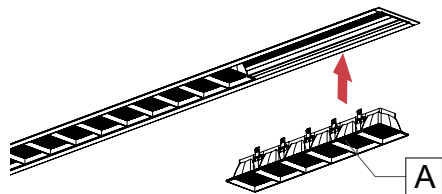


**Note:** Connect the black wire into the negative (-) terminal, and the white wire into the positive (+) terminal.

## 8 REINSTALL OPTICS.

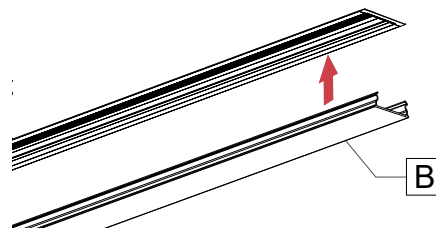
### PRISM LOUVER

Put the prism louvers [A] back in place.



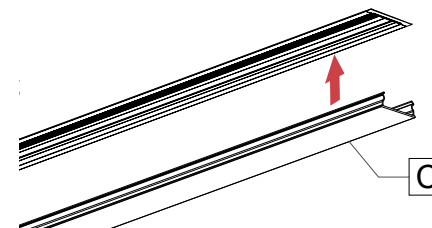
### HLO

Put the lens [B] back in place.



### BLANK

Put the cover [C] back in place.



# VIA 2 PRISM/VIA 2 PRISM COMBINATION

LUMENWERX

Recessed - Drywall Trim / Trimless

## CONTINUOUS RUN

**1** FOR CONTINUOUS RUN, FOLLOW STEPS **1 - 4** FROM THE SINGLE FIXTURE SECTION FOR ALL FIXTURES IN THE RUN, THEN:

**2** FOLLOW STEPS **5-6** FROM THE SINGLE FIXTURE SECTION FOR ALL FIXTURES IN THE RUN, THEN:

**3** FIX 2<sup>ND</sup> FIXTURE TO CEILING.

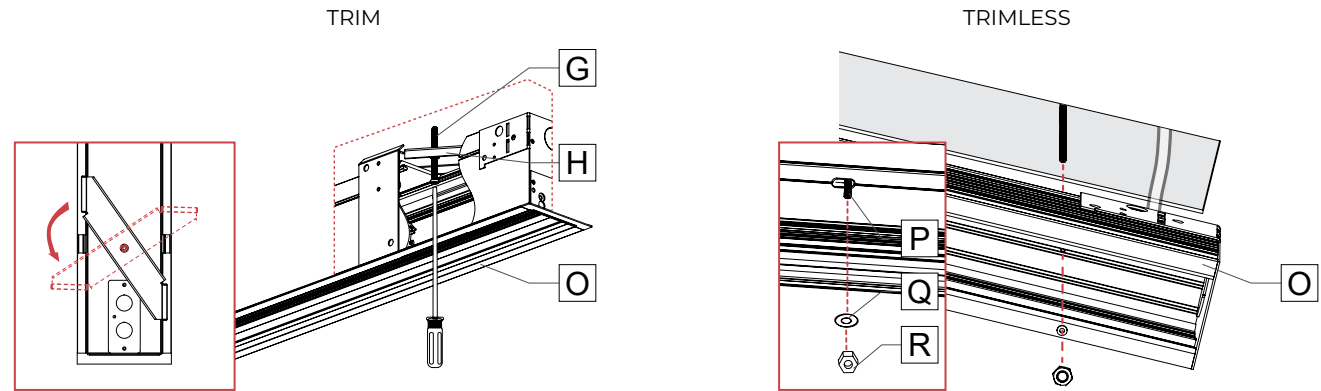
### TRIM

Insert the fixture [O] into the pre-cut hole in the drywall. Tighten the drywall bracket screws [C] to rotate the drywall brackets [H] in place. Tighten the drywall bracket screws [C] again to lock into place.

### TRIMLESS

Insert the fixture [O] into the pre-cut hole in the drywall, aligning the threaded rods [P] (by others) with the holes on top of the fixture [O].

Put washers [Q] and tighten nuts [R] to secure the fixture [O].



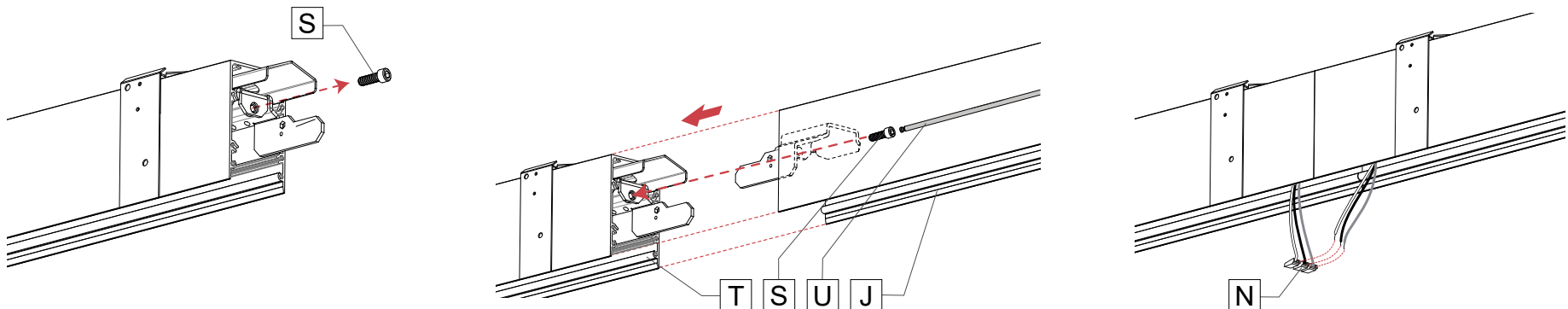
**4** CONNECT AND JOIN FIXTURES.

Remove the screw [S] on the joiner and put it in a safe place.

Align the second fixture [T] to the first fixture [J]. Join the fixtures together. Put the joiner screw [S] back and tighten using a 3/16" ball-end screwdriver [U] to pull the extrusions together.

Connect wires between joining fixtures using wire nuts [N].

**Note:** Number of wires may vary.



# VIA 2 PRISM/VIA 2 PRISM COMBINATION

LUMENWERX

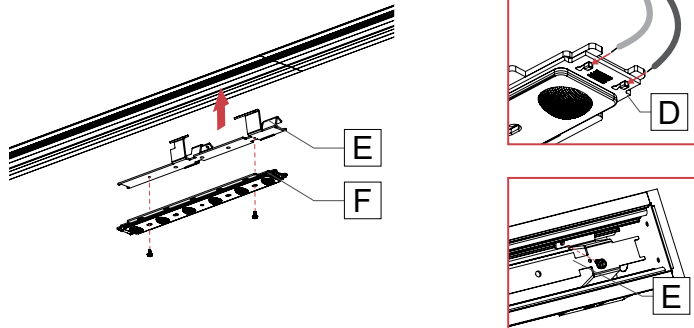
Recessed - Drywall Trim / Trimless

## 5 REINSTALL CARTRIDGES.

### PRISM LOUVER

Reinstall the cartridges [F] and the brackets [E].

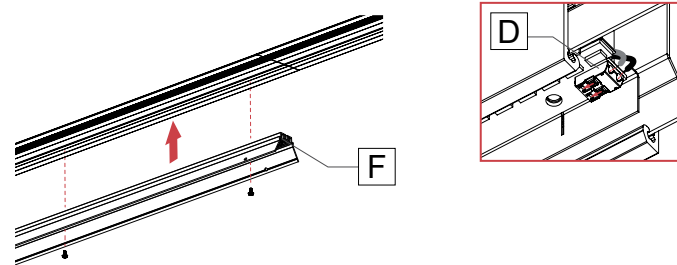
Reconnect the LED moxex connector [D].



### HLO

Reinstall the cartridges [F].

Reconnect the LED moxex connector [D].

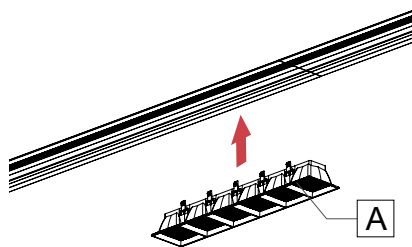


**Note:** Connect the black wire into the negative (-) terminal, and the white wire into the positive (+) terminal.

## 6 REINSTALL OPTICS.

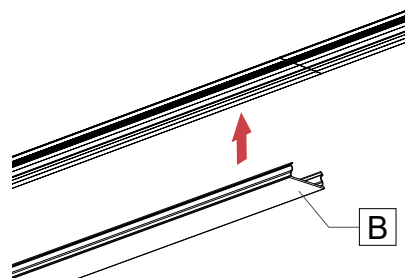
### PRISM LOUVER

Put the prism louvers [A] back in place.



### HLO

Put the lenses [B] back in place.



### BLANK

Put the covers [C] back in place.

