

VIA 2 PRISM/VIA 2 PRISM COMBINATION

LUMENWERX

Surface



This product must be installed in accordance with the National Electrical Code and all applicable local codes, by a person familiar with the construction and operation of the product, and the hazards involved. Proper grounding is required for safety.

Ce produit doit être installé suivant le code national de l'électricité, ainsi que tous les codes locaux applicables, par une personne familière avec la construction et le fonctionnement du produit, ainsi que tous les risques qui y sont associés. La mise à terre électrique est obligatoire pour la sécurité.



Wire dimming conductors as Class 1.



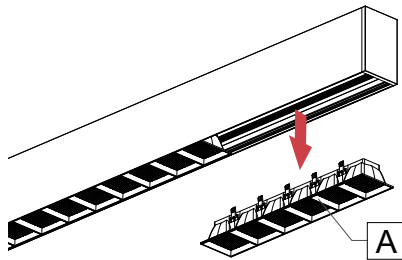
For electrical connections, please refer to the [Wiring Diagram Guide](#).

SINGLE FIXTURE

1 REMOVE OPTICS.

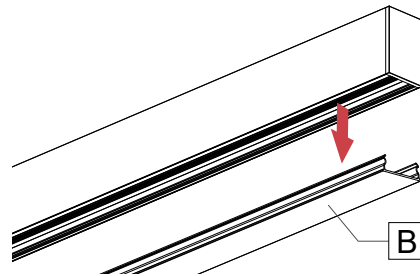
PRISM LOUVER

Remove prism louvers [A] from the fixture.



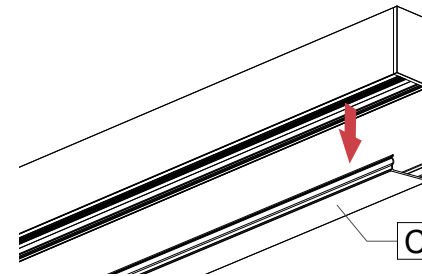
HLO

Remove the lens [B] from the fixture with the lens tool.



BLANK

Remove the cover [C] from the fixture with the lens tool.

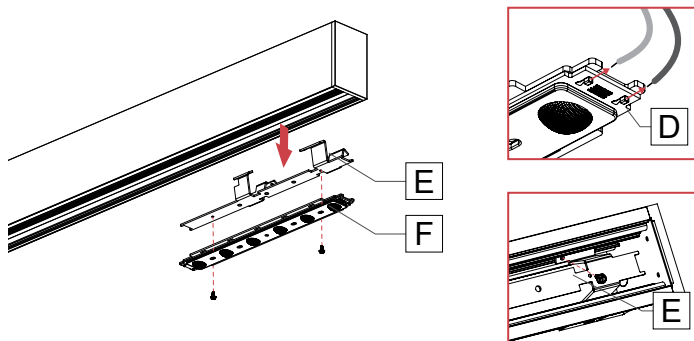


2 DISCONNECT AND REMOVE CARTRIDGES.

Disconnect LED moxex connector [D] by taking a pointed object and pressing on the two tabs on the top.

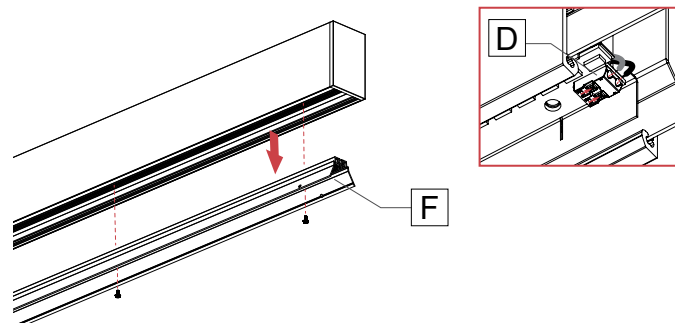
PRISM LOUVER

Remove the bracket [E] and the cartridges [F] from the fixture.



HLO

Remove the cartridges [F] from the fixture.



VIA 2 PRISM/VIA 2 PRISM COMBINATION

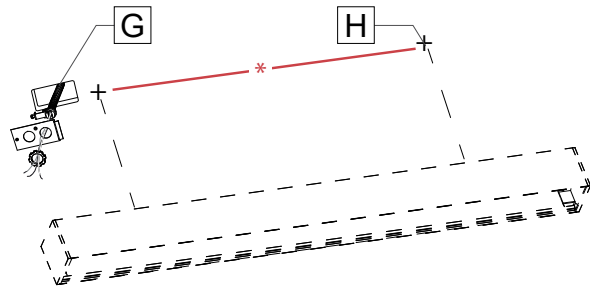
Surface

LUMENWERX

3 LOCATE MOUNTING POINTS.

Caution: Make sure the electrical power is turned off.

Locate junction box [G] and mounting points [H] in the ceiling according to the dimensions [*] given in the client drawings.



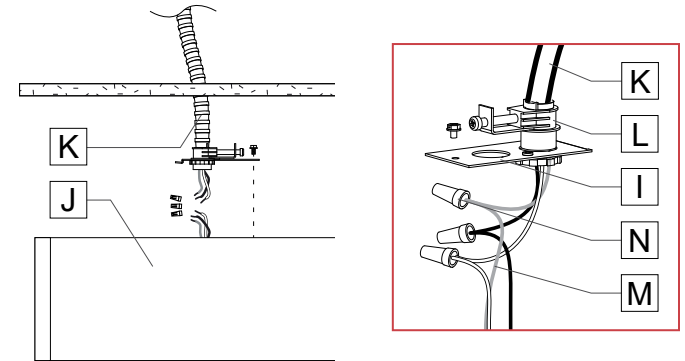
4 CONNECT FIXTURE TO MAIN POWER.

Remove the power plate [I] from the fixture [J]. Pass the main power cable [K] (by others) through the cable connector [L] (by others), and install onto the provided power plate [I].

Make electrical connections between the main power cable [K] and fixture cable [M] using wire nuts [N] (by others). Reinstall the power plate [I] to the fixture [J].

Note: Number of wires may vary.

Warning: A luminaire with more than one power supply connection means shall be connected to only one branch circuit.



5 FASTEN FIXTURE.

DRYWALL CEILING

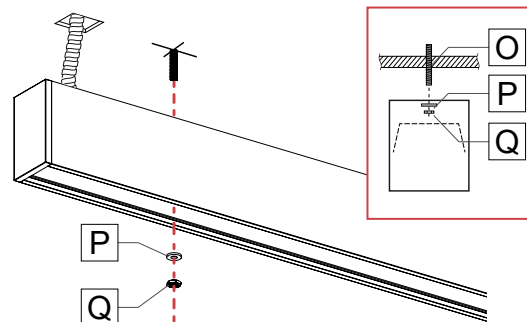
Fasten the fixture to threaded rods [O] by using washers [P] and nuts [Q].

Note: If no threaded rods are present, the fixture can be screwed directly onto the ceiling.

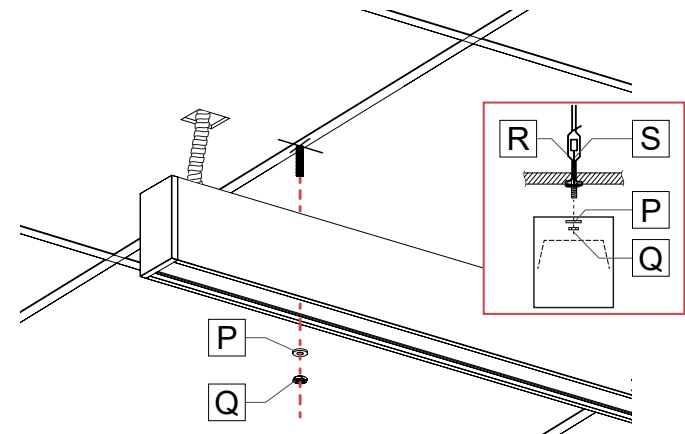
GRID CEILING

Fasten fixture to caddy clips [R], onto the t-bars [S] of the grid ceiling, by using washers [P] and nuts [Q].

DRYWALL CEILING



GRID CEILING



VIA 2 PRISM/VIA 2 PRISM COMBINATION

LUMENWERX

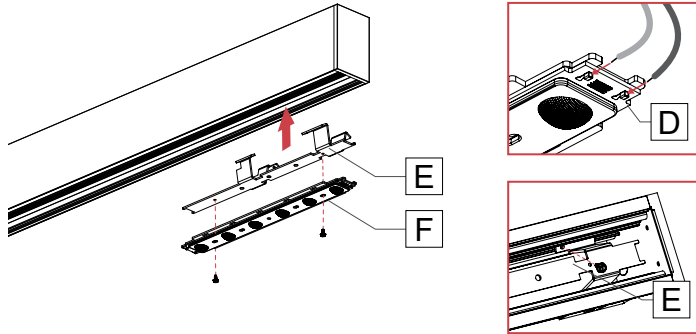
Surface

6 REINSTALL CARTRIDGES.

PRISM LOUVER

Reinstall the cartridges [F] and the brackets [E].

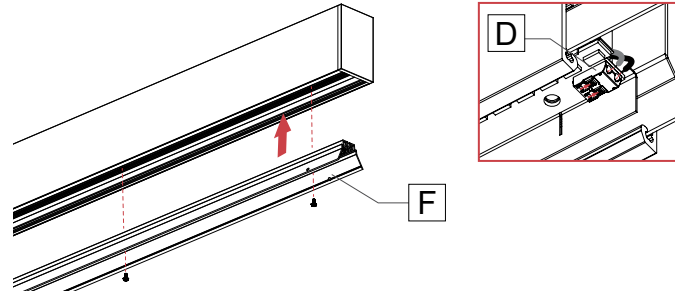
Reconnect the LED moxex connector [D].



HLO

Reinstall the cartridges [F].

Reconnect the LED moxex connector [D].

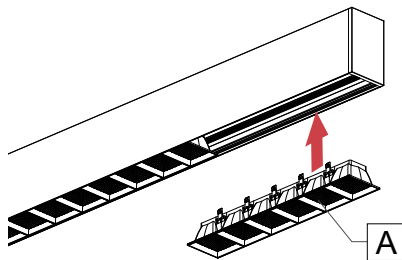


Note: Connect the black wire into the negative (-) terminal, and the white wire into the positive (+) terminal.

7 REINSTALL OPTICS.

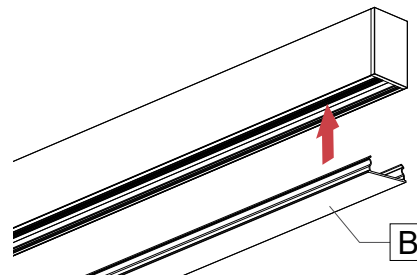
PRISM LOUVER

Put the prism louvers [A] back in place.



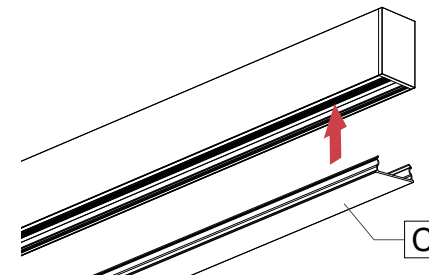
HLO

Put the lens [B] back in place.



BLANK

Put the covers [C] back in place.



VIA 2 PRISM/VIA 2 PRISM COMBINATION

LUMENWERX

Surface

CONTINUOUS RUN

1 FOR A CONTINUOUS RUN, FOLLOW STEPS **1-2** FROM THE SINGLE FIXTURE INSTRUCTIONS FOR ALL FIXTURES IN THE RUN.

2 FOLLOW STEPS **3-5** FROM THE SINGLE FIXTURE INSTRUCTIONS FOR THE FIRST FIXTURE IN THE RUN, THEN:

3 FIX THE 2ND FIXTURE TO CEILING.

Locate mounting points [I] of the second fixture.

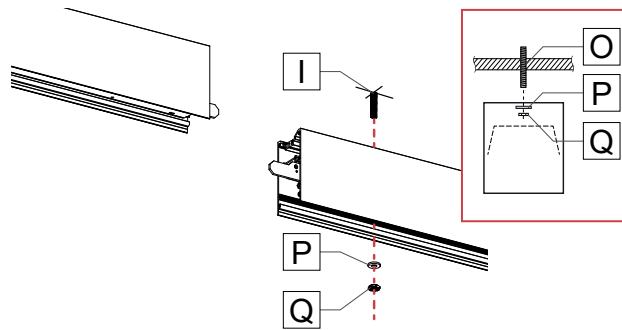
DRYWALL CEILING

Fasten the second fixture to threaded rods [O] by using washers [P] and nuts [Q].

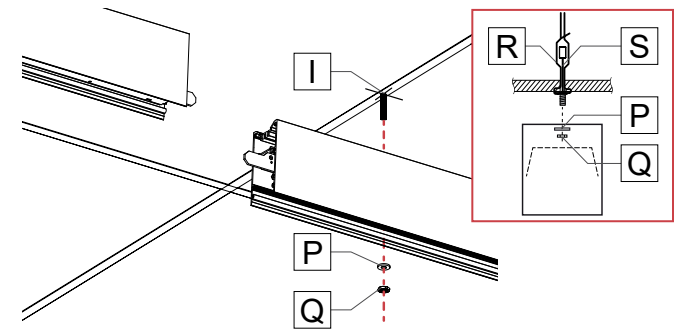
GRID CEILING

Fasten the second fixture to caddy clips [R], onto the t-bars [S] of the grid ceiling, by using washers [P] and nuts [Q].

DRYWALL CEILING

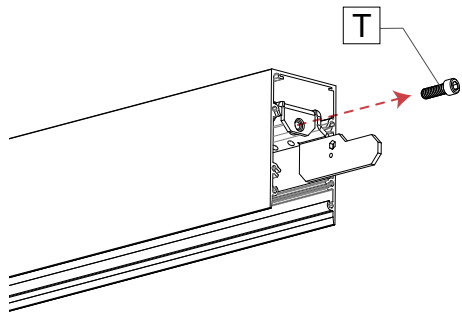


GRID CEILING

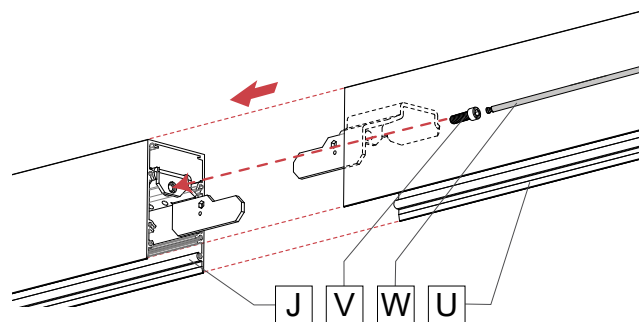


4 CONNECT AND JOIN FIXTURES.

Remove the screw [T] on the joiner and put it in a safe place.

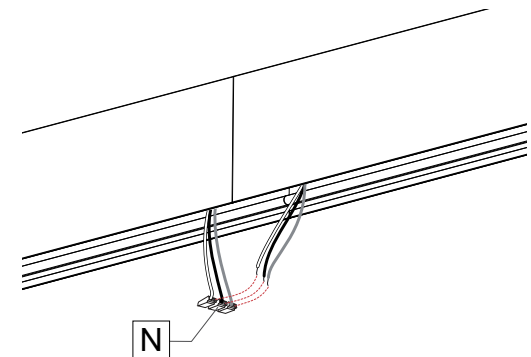


Align the second fixture [U] to the first fixture [J].
Join the fixtures together. Put the joiner screw [V] back and tighten using a 3/16" ball-end screwdriver [W] to pull the extrusions together.



Connect wires between joining fixtures using wire nuts [N].

Note: Number of wires may vary.



VIA 2 PRISM/VIA 2 PRISM COMBINATION

LUMENWERX

Surface

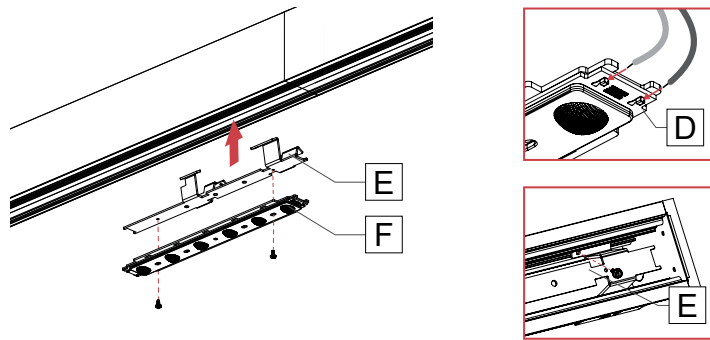
5 REPEAT THE STEPS **3 - 4** FOR ALL OTHER FIXTURES IN THE RUN.
THEN, TIGHTEN ALL WASHERS AND NUTS ON THREADED RODS TO SECURE THE FIXTURES.

6 REINSTALL CARTRIDGES.

PRISM LOUVER

Reinstall the cartridges [F] and the brackets [E].

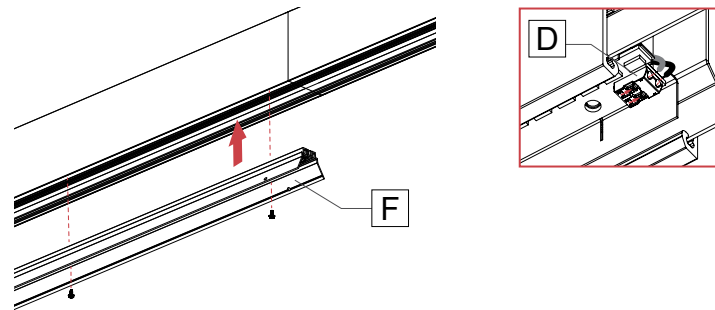
Reconnect the LED moxex connector [D].



HLO

Reinstall the cartridges [F].

Reconnect the LED moxex connector [D].

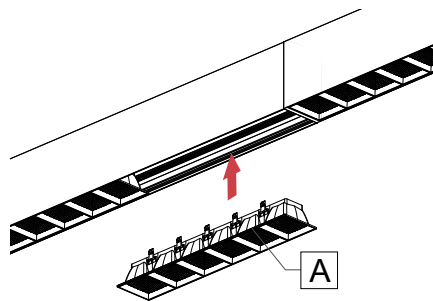


Note: Connect the black wire into the negative (-) terminal, and the white wire into the positive (+) terminal.

7 REINSTALL OPTICS.

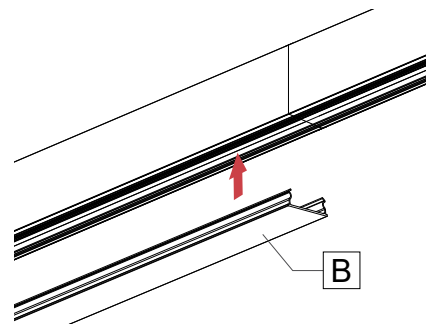
PRISM LOUVER

Put the prism louvers [A] back in place.



HLO

Put the lens [B] back in place.



BLANK

Put the covers [C] back in place.

