

VIA 2 - PATTERNS

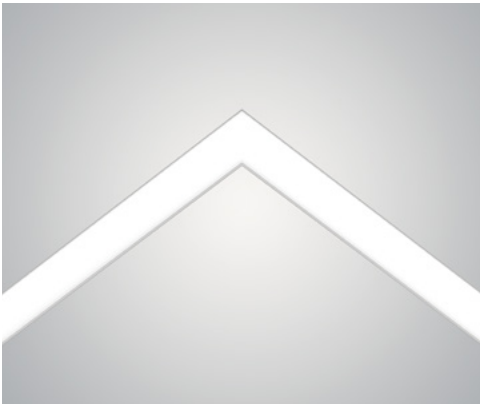
RECESSED



LUMENWERX
WWW.LUMENWERX.COM

CHROMAWERX TUNABLE WHITE AND DIM TO WARM

IMPORTANT: a qualified DMX integration consultant is required to ensure proper installation and function of any DMX network



LEV - leveled corner

DESCRIPTION

At LumenWerx, we make it simple to design patterns customized for you. Whether surface, wall mount, pendant or recessed - or even a combination of different mounting types, we make it easy to achieve the results you're looking for. While our standard is a 90° corner, we can customize angles to suit your needs. Efficient and flexible, the Via 2 features numerous optical configurations including flush and drop diffusers. Via 2 is an ideal vehicle for ChromaWerx color tuning in education, office, and healthcare applications where modular luminaires are used.

PROJECT: _____

TYPE: _____

NOTES: _____



up to 103 lm/w performance

ORDER GUIDE

IC RATED

VIA2RPAT	HLO		LED			
LUMINAIRE ID	OPTICS	LENS POSITION	LIGHT SOURCE	CRI	LUMEN PACKAGES	CHROMAWERX
VIA2RPAT - via 2" recessed pattern	HLO - High-Efficiency Lambertian Optic	FH - Flush 0.5D - 0.5" drop 1.0D - 1.0" drop	LED - high performance LED	80 - 80CRI 90 - 90CRI	350 - min. low output 350lm/ft 500 - max. medium output 500lm/ft #### - other required lm/ft	DUO - tunable white 2 channel control 27k to 65k SOLA - dim to warm single channel control 22k to 35k

	LEV				1
PATTERN LENGTH	CORNER TYPE	CORNERS DEGREE	VOLTAGE	DRIVER	ELECTRICAL
#FT - nominal length in feet (2' increments only) Continuous Run - for luminaires over 12'	LEV - leveled corner	90 - 90 degrees # - other degrees	120 - 120V 277 - 277V	DMX - to specify see pages 6 to 11 DA - Dali (duo only) local on-site commissioning is required O-10 - Single 0-10V input (Sola) or dual 0-10V input for CCT/Intensity (Duo) PSQO - Lutron T-Series 1% Tunable White (Duo only)	1 - 1 circuit

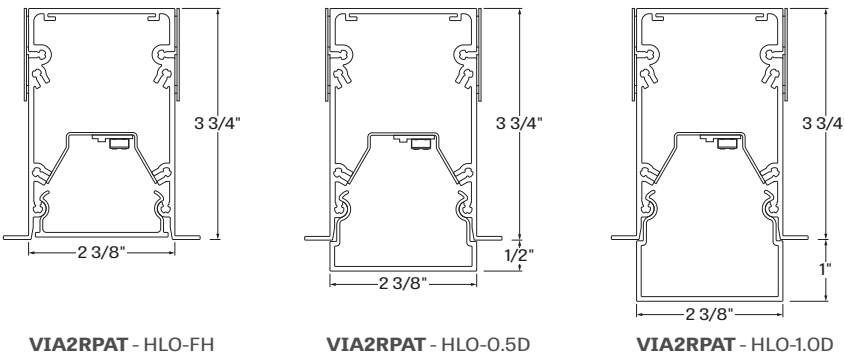
MOUNTING CEILING	MOUNTING WALL	FINISH	OPTIONS
DTR - drywall trim DTL - drywall trimless DMF - drywall mud flange NA - not applicable	DTR - drywall trim DTL - drywall trimless DMF - drywall mud flange NA - not applicable	W - matte white CF# - custom finish specify RAL#	FU - fuse FWC - flexible whip cable (6' std) CP - Chicago Plenum CU - custom

DMX WALL CONTROLS

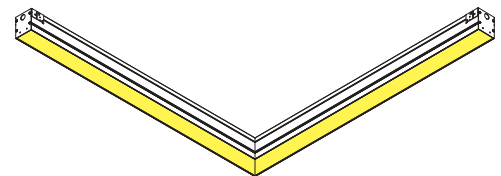
To specify see pages 6 to 11

See page 2 for ordering code detailed information

CROSS SECTION



3D VIEW

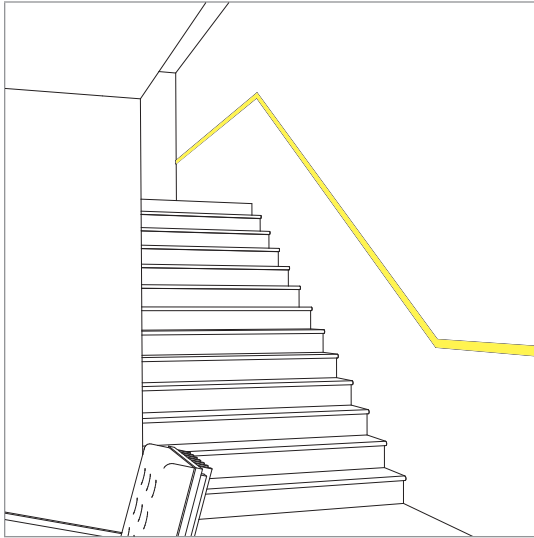


LEV - leveled corner



CHROMAWERX TUNABLE WHITE AND DIM TO WARM

LEVELED CORNER - DRYWALL



HOW TO SPECIFY A PATTERN?

Please follow these steps when specifying in order to be as precise as possible.

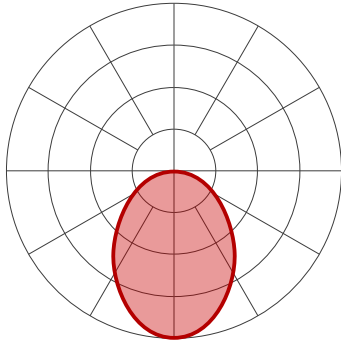
- (1) We require a drawing illustrating the pattern you are trying to achieve - anything from a simple line drawing to elaborate architectural drawings will suffice.
- (2) Under **PATTERN LENGTH**, enter the overall length of your pattern - either in feet or inches.
- (3) Under **CORNER TYPE**, please enter the type (or types) of corner you require. If more than one type of corner is required, please separate types with a plus (+).
- (4) Under **CORNERS DEGREE**, please enter the angle in degrees of each corner required to complete your pattern (for example 90+90+90).

	LEV	
PATTERN LENGTH	CORNER TYPE	CORNERS DEGREE
#FT - nominal length in feet (2' increments only) Continuous Run - for luminaires over 12'	LEV - leveled corner	90 - 90 degrees # - other degrees

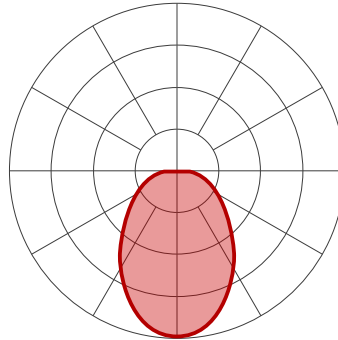
CHROMAWERX TUNABLE WHITE AND DIM TO WARM

PHOTOMETRICS

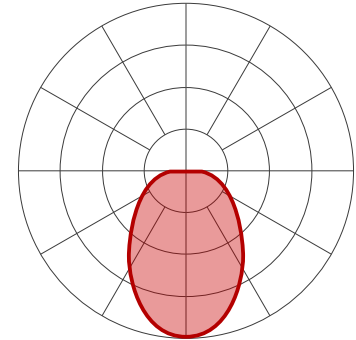
Please follow the multiplier tables to ensure correct lumen value. Lensing, CCT and CRI, will change the lumen output.



HLO-FH



HLO-0.5D



HLO-1.0D

HLO-FH Delivered Lumens for Flush at 35K 80CRI

Lumens per Foot	Total Lumens Per 4FT	Input Watts	LPW
350	1400	13.5	103
500	2000	20	101

Multiplier - Drop Lens

Direct lens	Watts Multiplier	LPW Multiplier
Flush lens	1.00	1.00
Drop lens 0.5"	0.99	1.00
Drop lens 1.0"	0.95	1.05

Multiplier - CCT/CRI

CCT (K)	Watts Multiplier		LPW Multiplier	
	CRI80	CRI90	CRI80	CRI90
2700	1.05	1.26	0.95	0.79
3000	1.01	1.23	0.99	0.81
3500	1.00	1.20	1.00	0.84
4000	1.00	1.17	1.00	0.85
5000	0.90	1.09	1.11	0.92
6500	0.94	1.11	1.06	0.90

OPTICS

High Efficiency Lambertian Optic (HLO) shielding of diffusing 0.075" thick acrylic provides up to 88% transmission and good source obscuration. Matte white reflectors distribute LED output across the shielding. Luminaire brightness is controlled by the ratio of luminous flux to shielding area. HLO is available as a flush diffuser or as a drop diffuser, extending 0.5" or 1.0" below the luminaire housing. Drop diffusers are extruded with glued end caps. HLO optics have a Spacing Criteria of 1.06.

LIGHT SOURCE - LED

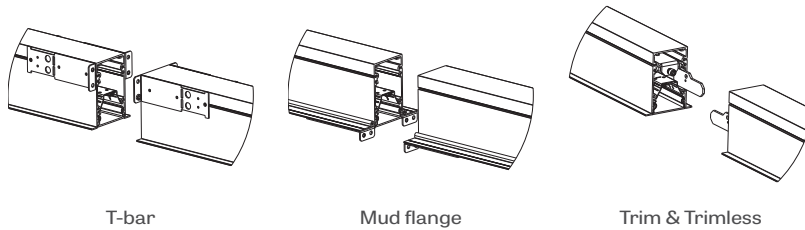
Custom linear array of mid-flux LED's are cartridge-mounted with quick-connect wiring to facilitate service and thermal management. Available in 3000K, 3500K and 4000K with a minimum 80 CRI and an option for 90 CRI with elevated R9 value. Color consistency maintained to within 3 SDCM. LEDs operated at reduced drive current to optimize efficacy and lumen maintenance. All LEDs have been tested in accordance with IESNA LM-80-08 and the results have shown L80 lumen maintenance greater than 60,000 hours. Absolute product photometry is measured and presented in accordance with IESNA LM-79, unless otherwise indicated.

CHROMAWERX TUNABLE WHITE AND DIM TO WARM

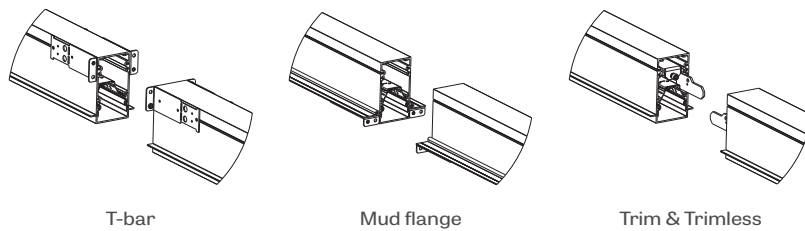
PATTERN LENGTH

All individual sections are joined together onsite using the joiner kits provided. LumenWerx offers joiner kits that are extremely simple to work with in the field and result in a fixture that appears virtually seamless with no light leak at any connection.

Joining system for flush

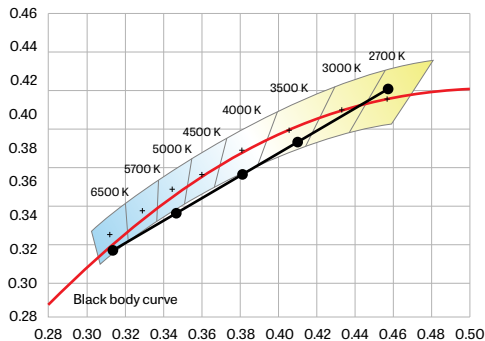


Joining system for drop lens



CHROMAWERX - TUNABLE WHITE

ANSI C78.377-2015



ChromaWerx Sola is single-channel control that dims output while warming the color temperature in a pre-determined relationship. A simple digital or analog control sends a common signal to dual output digital drivers, which are programmed to adjust a specially populated LED array to emulate the effect of dimming a filament source. Dimming range is programmable but the default option runs from 3500K at 100% of full power to 2200K at 5% of full power. CRI is maintained above 80 throughout the dimming range.

ChromaWerx Duo is two-channel control. It uses an analog (0-10V) protocol for separate control of luminaire CCT and intensity or a digital (DMX, DALI) protocol for synchronous control of both warm and cool LED arrays to enable the user to set color temperature and light output. Commonly called "tunable white", ChromaWerx two-channel control provides the range of warm (2700K) to cool (6500K) color that can be useful for helping to entrain circadian rhythms, stimulate alertness for improved educational and work productivity, and compensate for jet lag, among other applications. The ChromaWerx drivers are programmed to limit maximum light output and power usage across all color temperatures. CRI is maintained above 80.

ELECTRICAL

DMX (Duo only)

Factory-Set adjustable output current electronic driver with 120-277V AC line input. Using DMX wall controls (optionally supplied by Lumenwerx) or an existing DMX control system, both channels of LEDs are independently adjustable. Each DMX driver can be independently addressed using the built-in RDM (Remote Device Management) in the field. Dimming down to 1% is attainable. Rated life (90% survivorship) of 50,000 hours at 50°C maximum ambient temperature. At maximum driver load, efficiency < 84%, PF > 0.9, THD < 20%.

Dali (Duo Only)

Factory-Set adjustable output current electronic driver with 120-277V AC line input. Using an existing DALI control system (supplied by others), one control channel adjusts the fixture color temperature, and the other control channel adjusts fixture brightness. Dimming down to 1% is attainable. Rated life (90% survivorship) of 50,000 hours at 50°C maximum ambient temperature. At maximum driver load, efficiency < 84%, PF > 0.9, THD < 20%.

0-10V (Sola)

Factory-set, adjustable output current LED driver with universal (120-277VAC) input. Using a single 0-10V control signal, the light output warms in color temperature as it dims down to 1% and 2200K. At maximum driver load, efficiency < 86%, PF > 0.9, THD < 20%.

CHROMAWERX TUNABLE WHITE AND DIM TO WARM

0-10V (Duo)

Factory-set adjustable output current LED driver with universal (120-277VAC) input. Controlled via two individual 0-10V signals, one for setting light output down to a minimum of 1% and the other for adjusting the CCT (default range of 2700K-6500K). Rated life of 50,000 hours at 70°C maximum driver case temperature and 100% load conditions. Typical efficiency of 86%, PF>0.9, THD<20% at 100% load conditions.

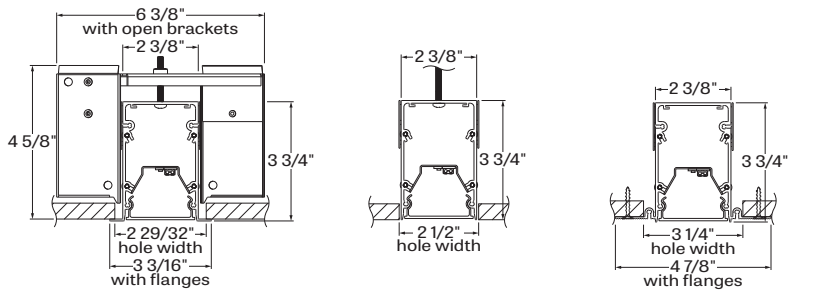
PSQ0 (Duo only)

Lutron T-Series 2-Channel tunable white drivers enable high-performance human centric lighting (HCL) applications. Digital control of color temperature (CCT) and intensity are achieved when used with the ESN T-Series tunable white controller as a part of a Lutron Quantum System.

MOUNTING OPTIONS

Mounting Ceiling

Mounting for drywall ceilings are available with visible trim, mud flange trim or trimless



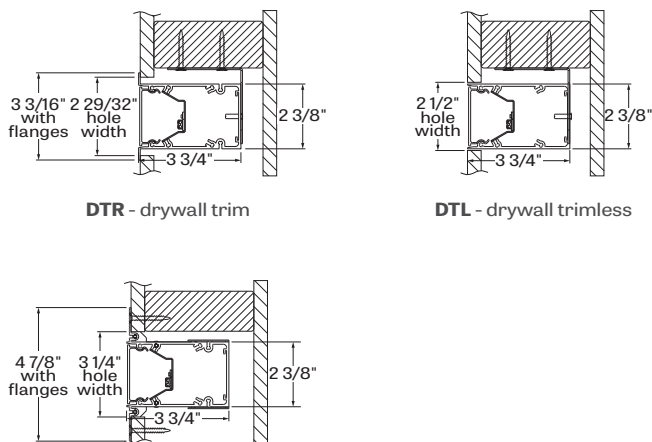
DTR - drywall trim

DTL - drywall trimless

DMF - drywall mud flange

Mounting Wall

Recessed Wall Mounting for drywall is available with visible trim, mud flange trim or trimless



DTR - drywall trim

DTL - drywall trimless

DMF - drywall mud flange

FINISH

Interior - 95%, reflective matte powder coated white paint
Exterior - matte white or aluminum powder coating. Custom finishes are also available.

CONSTRUCTION

Housing - Extruded Aluminum (0.095" nominal) up to 90% Recycled Content
Interior brackets - Die formed cold rolled sheet steel 18 gauge thick
Joining system - Die cast Zinc (0.95" nominal) and die Formed galvanized sheet 18 gauge
Reflectors - Flat rolled Aluminum sheet 0.040" thick precisely die formed, 95% reflective matte white painted
Recessed flanges - Extruded Aluminum (0.075" nominal) up to 90% Recycled Content
Mud flange - Extruded Aluminum (0.075" nominal) up to 90% Recycled Content
Slip-through bracket - Die Formed galvanized sheet 18 gauge
End plate - Die formed cold rolled sheet steel 18 gauge thick

CERTIFICATIONS

ETL - Rated for Indoor Dry/Damp locations. Conforms to UL Standard 1598 and certified to CAN/CSA Standard C22.2 No. 250.0.
Chicago plenum - City of Chicago Approved (CCEA)
IC rated - suitable for direct contact with insulation.

WARRANTY

For all ChromaWerx products, LumenWerx provides a three-year limited warranty of electrical and mechanical performance of the luminaires, including the LED boards, drivers, and auxiliary electronics. LumenWerx will repair or replace defective luminaires or components at our discretion, provided they have been installed and operated in accordance with our specifications. Other limitations apply, please refer to the full warranty on our website. Wall controllers are covered by the manufacturer warranty.

VIA 2 - PATTERNS

RECESSED

CHROMAWERX TUNABLE WHITE

DUO DMX SPECIFICATION

A qualified DMX integrator is required to assure proper installation and commissioning of the DMX network. **When placing the PO, please provide the contact information of your DMX integrator.**

Please answer the following questions to help us identify your DMX network requirements.

YES

Do you require a wall controller provided by Lumenwerx?

NO

DMX control system supplied by others. Lumenwerx will supply DMX-enabled fixtures with default DMX addressing. See following pages for technical DMX informations. ✓

DMX controller supplied by Lumenwerx

How many zones do you have?
A zone consists of one or more luminaires behaving identically.

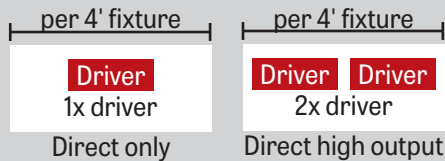


1 Zone



2 Zones

How to calculate the required number of drivers:



To Calculate # of drivers

1 - 4 Zones

5 or more Zones

Do you have more than 32 drivers in total?

NO

YES

Order a standard Lumenwerx wall controller.

WALL CONTROLLER

WCW - wall controller white
WCB - wall controller black

Add the control code at the end of your order code.

Please provide a fixture layout or RCP (Reflected Ceiling Plan) showing the locations of the DMX fixtures, zones and the DMX wall controller.

Refer to your DMX integrator for the installation. ✓

Subject to factory evaluation. Please contact our controls specialist at controls@lumenwerx.com. Additional cost and equipment will be required. ✓

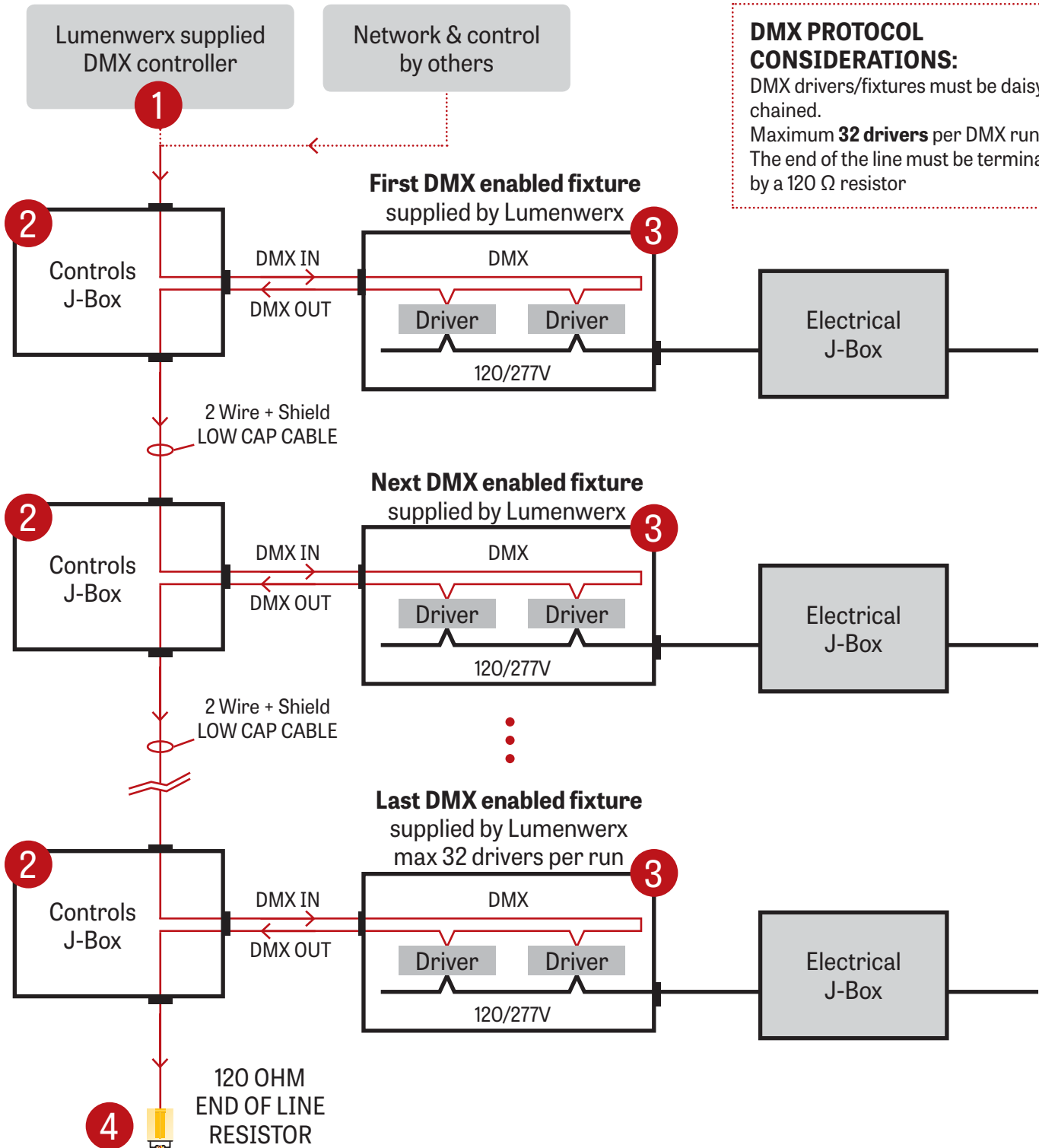
Subject to factory evaluation and approval. Please contact our controls specialist at controls@lumenwerx.com. Additional cost and equipment will be required. ✓

VIA 2 - PATTERNS

RECESSED

CHROMAWERX TUNABLE WHITE

GENERIC DMX NETWORK ARCHITECTURE



DMX PROTOCOL CONSIDERATIONS:
DMX drivers/fixtures must be daisy chained.
Maximum **32 drivers** per DMX run.
The end of the line must be terminated by a 120 Ω resistor

VIA 2 - PATTERNS

RECESSED

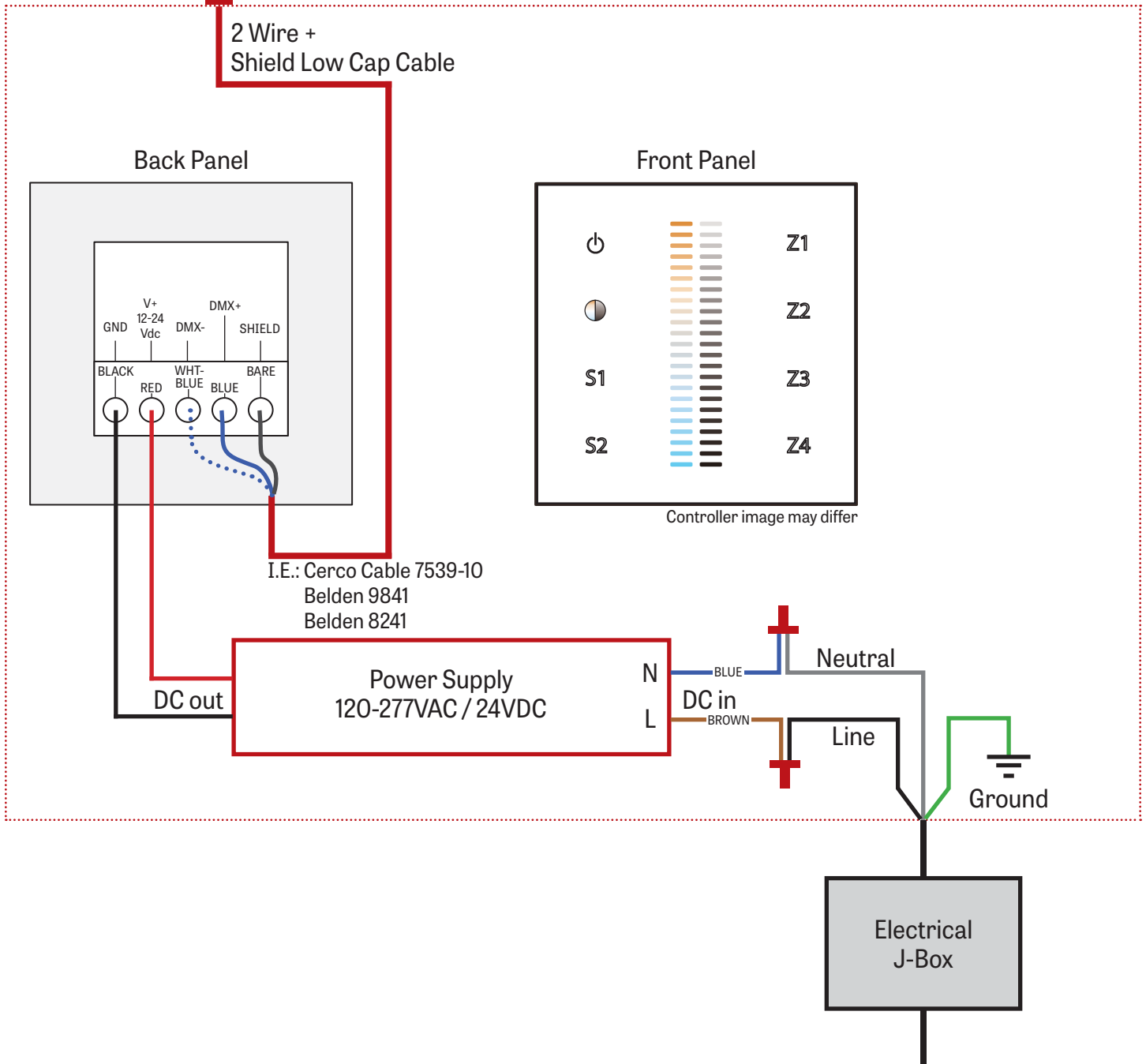
LUMENWERX
WWW.LUMENWERX.COM

CHROMAWERX TUNABLE WHITE

1 LUMENWERX SUPPLIED DMX CONTROLLER

To the first fixture

WALL BOX SUPPLIED BY OTHERS



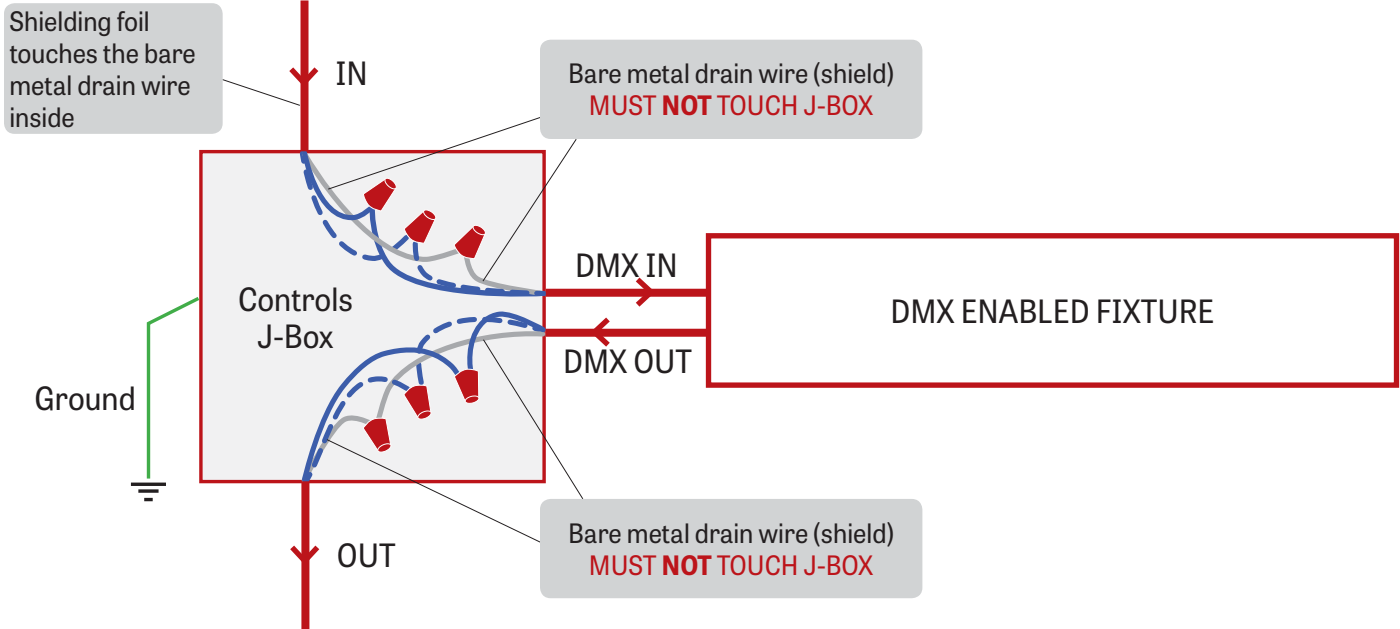
VIA 2 - PATTERNS

RECESSED

CHROMAWERX TUNABLE WHITE

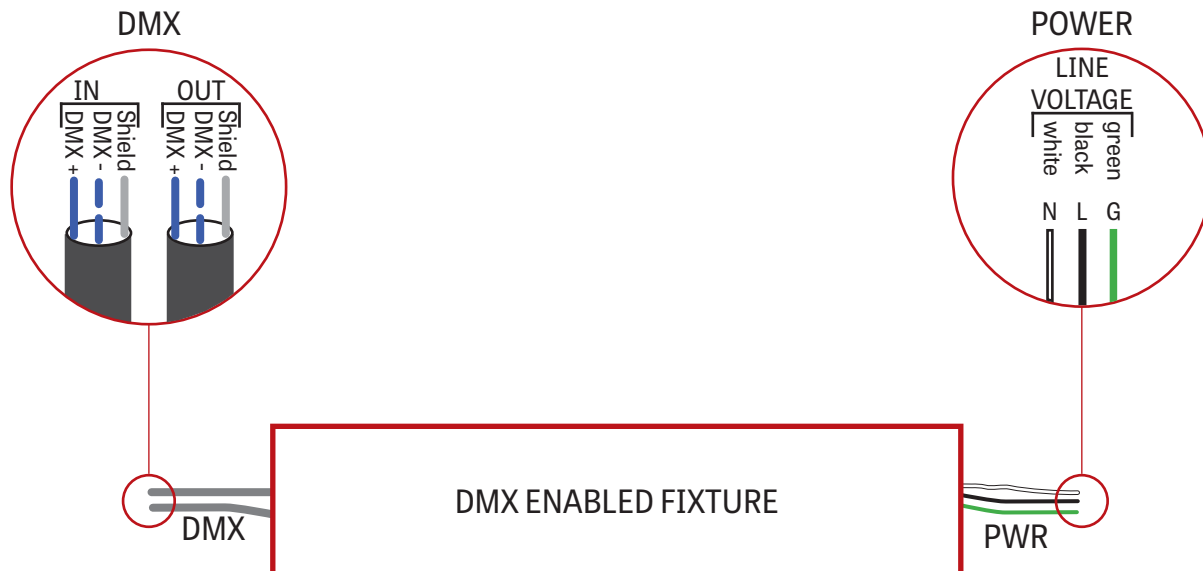
2 J-BOX DMX DAISY CHAIN DETAIL

Low capacitance DMX Cable from Previous Fixture



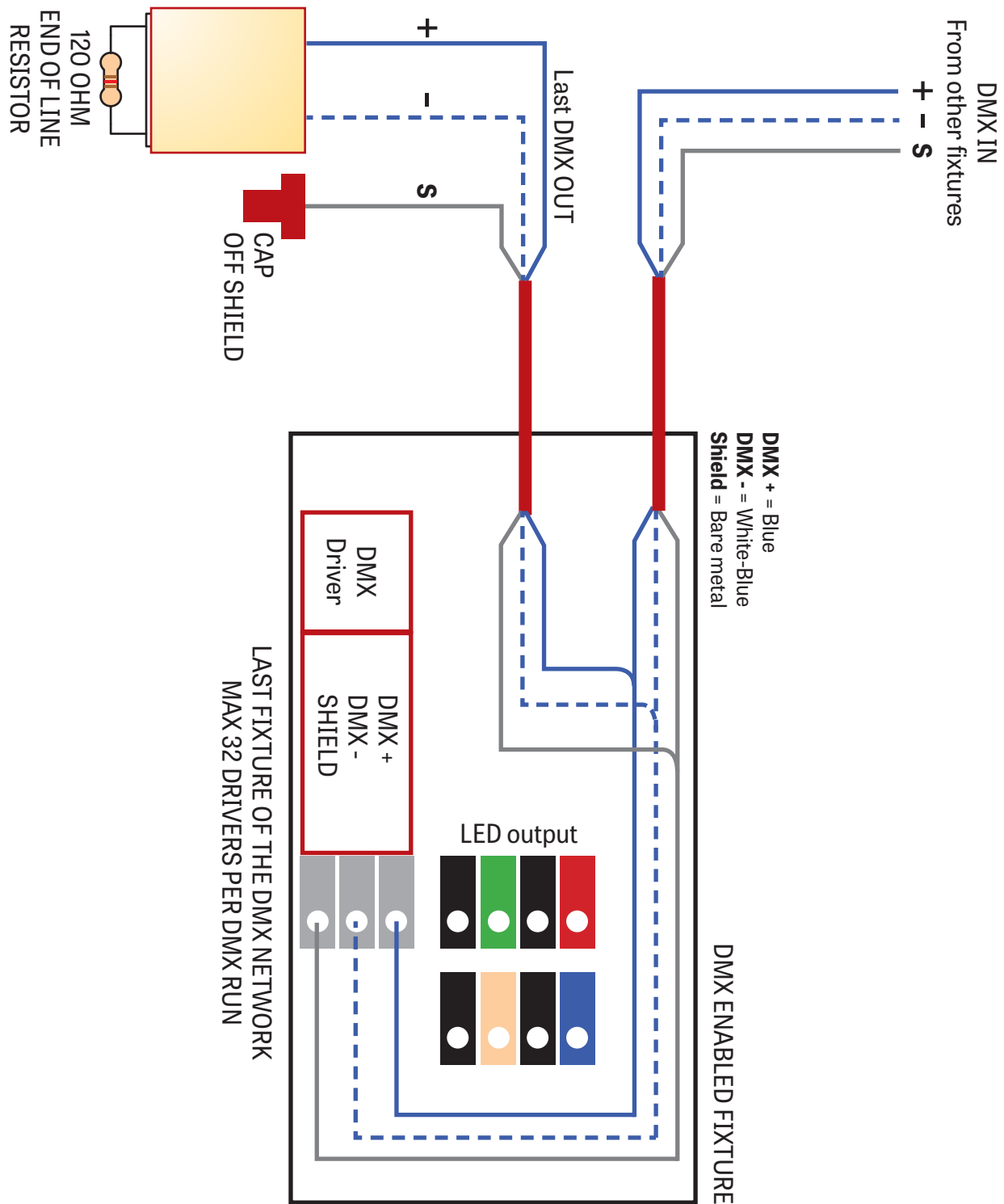
Low capacitance DMX cable to next fixture

3 DMX CONNECTION RECESSED & SURFACE



CHROMAWERX TUNABLE WHITE

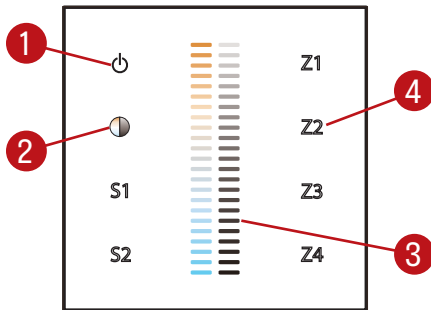
4 DMX LAST FIXTURE DETAIL



CHROMAWERX TUNABLE WHITE

DMX WALL CONTROLLER

DUO 1-4 ZONE



- (1) Power: Use this button to turn ON or OFF the fixture
- (2) Brightness/CCT: Use the color/brightness toggle button to chose between color/brightness. when Blue: brightness is selected, when Yellow: color is selected.
- (3) Slider: Depending on the mode chosen in 2, the slider will allow the user to set desired color or brightness.
- (4) Zone select: Up to 4 zones can be selected either independently or together. Once selected the commands will be sent to the zone identified by a Blue LED.

Default DMX Addresses:

- 1 Warm
- 2 Cool