

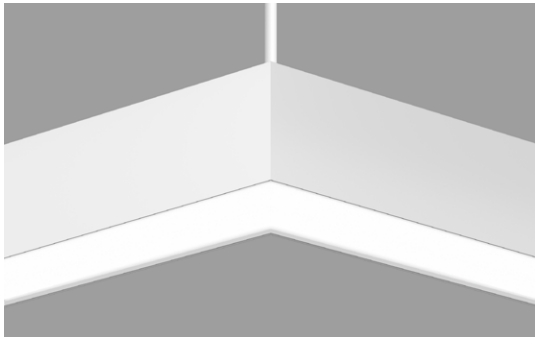
VIA 2 SEAL

PENDANT PATTERN
DIRECT, DIRECT/INDIRECT
CHROMAWERX - SOLA, DUO



Project: _____
Type: _____

VIA WEATHER SERIES



LEV - Leveled corner

DESCRIPTION

Sealed with silicone gaskets, Via Seal fixtures are intended for wet locations and can be pendant, surface, wall, or recessed mounted. They can act alone as discrete luminaires, or be arranged in continuous lines or patterns. Via 2 Seal is suitable for wet locations where temperatures are moderate and in which spaces are regularly wiped down and frequently in contact with debris and/or moisture. These luminaires can be used to create continuous, unbroken lines of light. See separate spec sheets for other available mountings.

IMPORTANT:
Fixture must be installed with direct lens facing down.

IK05



Order Guide

LUMINAIRE ID	DISTRIBUTION	ENVIRONMENT ¹	DIRECT OPTIC	INDIRECT OPTIC Specify NA for Direct fixture	LIGHT SOURCE ³	CRI
V2SEALPPAT		WET				
V2SEALPPAT - Via 2" Seal Pendant Pattern	D - Direct DI - Direct/Indirect	WET ² - Wet Suitable (IP44) ¹ See page 4 for more information. ² Suitable for outdoor environments only when installed under canopy. Not suitable for extreme weather environments. Consult factory for low temperature applications.	EPDO - Environmentally Protected Direct Optic ASDO - Asymmetric Soft Direct Optic	EPIO - Environmentally Protected Indirect Optic ASIO - Asymmetric Soft Indirect Optic WIO2 - Widespread Indirect Optic NA - Not applicable	SOLA - Dim-to-warm single channel control 35K to 22K DUO - Tunable white 2-channel control 65K to 27K ³ Static white and BIOS also available. Consult other spec sheet.	80CRI - 80 CRI 90CRI - 90 CRI

DIRECT LUMEN PACK.	INDIRECT LUMEN PACK. Specify NA for Direct fixture	PATTERN LENGTH	CORNER TYPE	VOLTAGE	DRIVER ⁵
350LMF - Low output 350 lm/ft 500LMF - Medium output 500 lm/ft 750LMF - High output 750 lm/ft	350LMF - Low output 350 lm/ft 500LMF - Medium output 500 lm/ft 750LMF - High output 750 lm/ft NA - Not applicable	##FT##IN(##X##FT##IN-##X##FT##IN-...) ⁴ - ##FT##IN: total nominal length of pattern in feet and/or inches #X: quantity of each section #FT##IN: nominal length of each section in feet and/or inches Continuous runs: lengths over 12' ⁴ - Minimum 2' for Direct. ⁵ - Minimum 3' for Direct/Indirect.	#LEV2C(A90) - 2-way leveled corner ANGLE (A##): (A90) - 90°	120V - 120V 277V - 277V UNV - 120V-277V	SOLA SD1 - Single 0-10V input DUO DMX ^{6,7} - DMX DDA ⁷ - DALI DT6 DDA8 ⁷ - DALI DT8 DD1 - Dual 0-10V input for CCT/intensity LD2 ⁷ - Lutron DALI-2 digital ⁵ PoE (Power-over-Ethernet) compatible. Consult factory for details. ⁶ For more information, see pages 11 to 16. ⁷ On-site commissioning is required.

ELECTRICAL	POWER FEED	MOUNTING ⁸	FINISH	OPTION
1C	TF			
1C - 1 circuit	TF - Top feed	STS - Stem, standard STC() - Stem, custom ⁸ Standard canopies are black for black fixtures, and white for all other finishes. See page 2 for full details on standard and custom options.	W - Matte white AL - Aluminum B - Matte black WA - White antimicrobial Silverwerx CF# - Custom finish, specify RAL#	CRF - Corrosion-resistant finish NA - None

Accessories

Optional, order separately

WALL CONTROLLER	
DMX WCW ⁹ - DMX wall controller white WCB ⁹ - DMX wall controller black ⁹ Available with DMX only. For more information, see pages 11 to 16, or consult factory.	DD1 TWCW ¹⁰ - Dual 0-10V wall controller white TWCB ¹⁰ - Dual 0-10V wall controller black ¹⁰ Available with DD1 only. For more information, see page 17, or consult factory.



VIA 2 SEAL

PENDANT PATTERN
DIRECT, DIRECT/INDIRECT
CHROMAWERX - SOLA, DUO



VIA WEATHER SERIES

Pendant Mounting Code

Standard

For a standard mounting, please refer to the information below.

MOUNTING

STS - Stem, standard

- Ø 5" for power canopy
- Ø 5" for non-power canopy
- Canopies are black for black fixtures, and white for all other fixture finishes
- Stem finish is the same color as fixture
- Stem length is 18"
- Stem is not field adjustable

Custom

Stem

For a custom mounting, specify the options in the parentheses.

Example: STC(5NPC-36IN-W-STW-SLS)

MOUNTING

STC()

	NON-POWER CANOPY SIZE	STEM LENGTH	CANOPY FINISH	STEM COLOR	OPTION
STC	5NPC - Ø 5" non-power canopy	18IN - 18" 36IN - 36" #IN ¹ - Specify length in inches ¹ Minimum length is 6". Maximum length is 72". Stem is not field adjustable.	W - Matte white AL - Aluminum B - Matte black CF# - Custom finish, specify RAL#	STW - Matte white STAL - Aluminum STB - Matte black STCF# - Custom finish, specify RAL#	SLS - Sloped ceiling for stem NA - None

VIA 2 SEAL

PENDANT PATTERN
DIRECT, DIRECT/INDIRECT
CHROMAWERX - SOLA, DUO

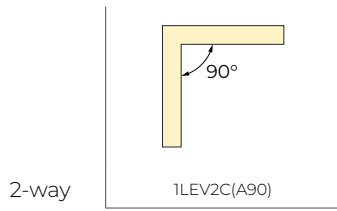


VIA WEATHER SERIES

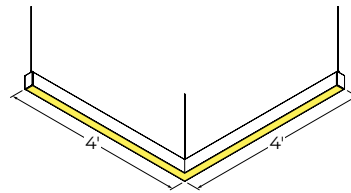
Pattern Layout

CORNER TYPE

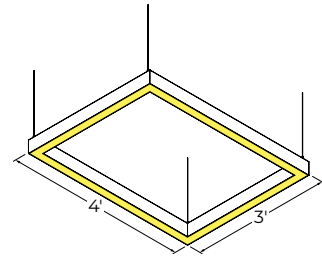
LEVELED CORNER



EXAMPLES



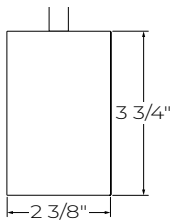
8FT(2X4FT)-1LEV2C(A90)



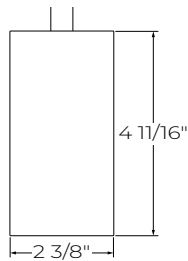
14FT(2X4FT-2X3FT)-4LEV2C(A90)

Dimensions

DIRECT



DIRECT/INDIRECT



VIA 2 SEAL

PENDANT PATTERN
 DIRECT, DIRECT/INDIRECT
 CHROMAWERX - SOLA, DUO



VIA WEATHER SERIES

Environment Options

The Via Weather Series offers four levels of protective sealing: Level 1, Level 2, Level 3, and Level 4.

Via 2 Seal is available with one environment option: Wet Suitable (WET) at Level 1.

For other levels of protective sealing, please see Via 3 Seal or Via 4 Seal spec sheets for Level 1 and Level 2, Via Wet spec sheets for Level 3, and Via Splash spec sheets for Level 4.

FEATURES	 Wet Suitable (IP44) (WET)
Direct distribution	●
Direct/Indirect distribution	●
Indoor application that requires wipe down	●
Healthcare application	●
Outdoor application with restrictions: under canopy only	●
Continuous line of light over 12'	●
Water and dust resistant	●
Water and dust protected	X
Not suitable for extreme weather applications	●
Damp listed	●
Wet listed	X

VIA 2 SEAL

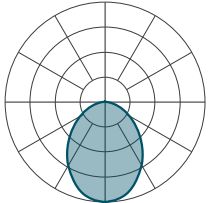
PENDANT PATTERN
 DIRECT, DIRECT/INDIRECT
 CHROMAWERX - SOLA, DUO



VIA WEATHER SERIES

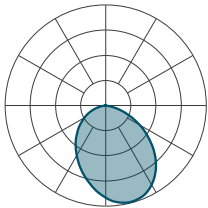
Photometrics

DIRECT



EPDO - Delivered Lumens at 4000K at 80 CRI

LUMENS PER FOOT	TOTAL LUMENS PER 4FT	INPUT WATTS	LPW
350	1400	14.1	99
500	2000	20.7	97
750	3000	32.6	92



ASDO - Delivered Lumens at 4000K at 80 CRI

LUMENS PER FOOT	TOTAL LUMENS PER 4FT	INPUT WATTS	LPW
350	1400	17.0	82
500	2000	25.2	79
750	3000	40.1	75

VIA 2 SEAL

PENDANT PATTERN
 DIRECT, DIRECT/INDIRECT
 CHROMAWERX - SOLA, DUO

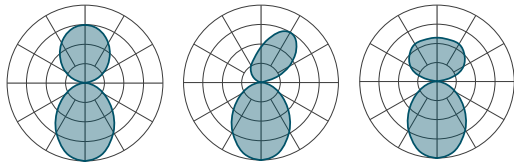


VIA WEATHER SERIES

Photometrics

DIRECT/INDIRECT - WITH EPDO

Delivered lumens at 4000K at 80 CRI for all optics.



EPDO - EPIO EPDO - ASIO EPDO - WIO2

LM/FT		NOMINAL LM/4FT		TOTAL LM/4FT	INPUT WATTS	LPW
D	I	D	I			

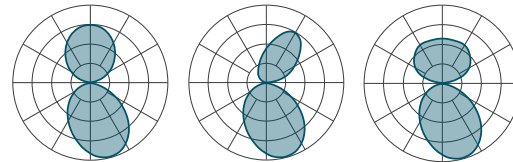
EPDO	EPIO					
350	350		1400	2800	28	100
	500	1400	2000	3400	34.7	98
	750		3000	4400	46.7	94
500	350		1400	3400	34.7	98
	500	2000	2000	4000	41.3	97
	750		3000	5000	53.3	94
750	350		1400	4400	46.7	94
	500	3000	2000	5000	53.2	94
	750		3000	6000	65.3	92

EPDO	ASIO					
350	350		1400	2800	27.5	102
	500	1400	2000	3400	34	100
	750		3000	4400	45.6	97
500	350		1400	3400	34.2	100
	500	2000	2000	4000	40.6	99
	750		3000	5000	52.2	96
750	350		1400	4400	46.1	95
	500	3000	2000	5000	52.6	95
	750		3000	6000	64.2	94

EPDO	WIO2					
350	350		1400	2800	25.9	108
	500	1400	2000	3400	31.4	108
	750		3000	4400	41.3	107
500	350		1400	3400	32.5	105
	500	2000	2000	4000	38	105
	750		3000	5000	47.9	105
750	350		1400	4400	44.4	99
	500	3000	2000	5000	50	100
	750		3000	6000	59.8	100

DIRECT/INDIRECT - WITH ASDO

Delivered lumens at 4000K at 80 CRI for all optics.



ASDO - EPIO ASDO - ASIO ASDO - WIO2

LM/FT		NOMINAL LM/4FT		TOTAL LM/4FT	INPUT WATTS	LPW
D	I	D	I			

ASDO	EPIO					
350	350		1400	2800	31	90
	500	1400	2000	3400	37.7	90
	750		3000	4400	49.7	89
500	350		1400	3400	39.2	87
	500	2000	2000	4000	45.8	87
	750		3000	5000	57.9	86
750	350		1400	4400	54.1	81
	500	3000	2000	5000	60.7	82
	750		3000	6000	72.8	83

ASDO	ASIO					
350	350		1400	2800	30.5	92
	500	1400	2000	3400	37	92
	750		3000	4400	48.6	91
500	350		1400	3400	38.7	88
	500	2000	2000	4000	45.2	89
	750		3000	5000	56.7	88
750	350		1400	4400	53.6	82
	500	3000	2000	5000	60	83
	750		3000	6000	71.6	84

ASDO	WIO2					
350	350		1400	2800	28.8	97
	500	1400	2000	3400	34.4	99
	750		3000	4400	44.2	100
500	350		1400	3400	37	92
	500	2000	2000	4000	42.5	94
	750		3000	5000	52.4	95
750	350		1400	4400	51.9	85
	500	3000	2000	5000	57.4	87
	750		3000	6000	67.3	89

VIA 2 SEAL

PENDANT PATTERN
DIRECT, DIRECT/INDIRECT
CHROMAWERX - SOLA, DUO



VIA WEATHER SERIES

Technical Specifications

DIRECT OPTICS

Environmentally Protected Direct Optic (EPDO)

The Environmentally Protected Direct Optic creates a seal that blocks debris and moisture, and withstands UV distortion and moderate impact. This extruded snap-in lens has a gasket to ensure proper sealing. The lens is 1/16" thick and made of frosted polycarbonate. Internally, white, side kicking reflectors guide the light through the lens. The EPDO suits moderate climate environments.

Asymmetric Soft Direct Optic (ASDO)

The Asymmetric Soft Direct Optic creates a seal that blocks debris and moisture, and withstands UV distortion and moderate impact. This extruded snap-in lens has a gasket to ensure proper sealing. The lens is 1/16" thick and made of frosted polycarbonate. Internally, white, side kicking reflectors specifically angled to guide the light through the lens to create a nice asymmetric distribution. The ASDO suits moderate climate environments.

INDIRECT OPTICS

Environmentally Protected Indirect Optic (EPIO)

The Environmentally Protected Indirect Optic creates a seal that blocks debris and moisture, and withstands UV distortion and moderate impact. The lens is 1/16" thick and made of frosted polycarbonate. This extruded snap-in lens has a gasket to ensure proper sealing. The EPIO suits moderate climate environments.

Asymmetric Soft Indirect Optic (ASIO)

The Asymmetric Soft Indirect Optic creates a seal that blocks debris and moisture, and withstands UV distortion and moderate impact. The lens is 1/16" thick and made of clear polycarbonate. This extruded snap-in lens has a gasket to ensure proper sealing. The total internal reflection and surface scattering optic is specifically angled to guide the light through the lens to create a nice asymmetric distribution. The ASIO suits moderate climate environments.

Widespread Indirect Optic (WIO2)

The Widespread Indirect Optic creates a seal that blocks debris and moisture, and withstands UV distortion and moderate impact. The lens is 1/16" thick and made of clear polycarbonate. This extruded snap-in lens has a gasket to ensure proper sealing. The total internal reflection and surface scattering optic offers an impressive 160° spread. WIO2 creates an even illumination for smooth brightness on the ceiling that can achieve uniformity ratios of up to 2:1. The WIO2 suits moderate climate environments.

Uniformity [max/min]

Based on 18' continuous runs, in a 20' x 40' room, 10' wall height

Mounting height from ceiling	Spacing (Center to center)		
	8'	10'	12'
24"	3.0	5.5	8.0
36"	2.0	3.0	4.5
48"	2.0	2.0	3.5

VIA 2 SEAL

PENDANT PATTERN
DIRECT, DIRECT/INDIRECT
CHROMAWERX - SOLA, DUO



VIA WEATHER SERIES

LIGHT SOURCE

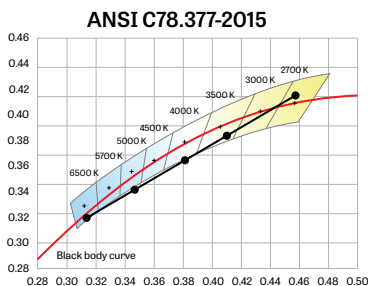
Custom linear array of alternating color temperature mid-flux LEDs are mounted directly to the housing for optimal thermal performance. For the DUO products, a color temperature range from 6500K-2700K is achievable with color points on or below the black body curve. For the SOLA products, a color temperature range from 3500K-2200K is controlled synchronously with intensity. Color consistency between fixtures is maintained to within 3 SDCM. All LEDs have been tested in accordance with IESNA LM-80-08 and the results have shown L80 lumen maintenance greater than 60,000 hours. Absolute product photometry is measured and presented in accordance with IESNA LM-79, unless otherwise indicated.

Chromawerx SOLA

It is a single-channel control that dims output while warming the color temperature in a pre-determined relationship. A simple analog control sends a common signal to dual output digital drivers, which are programmed to adjust a specially populated LED array to emulate the effect of dimming a filament source. Dimming range is programmable but the default option runs from 3500K at 100% of full power to 2200K at 5% of full power. CRI is maintained above 80 throughout the dimming range.

Chromawerx DUO

It is a two-channel control. It uses an analog (0-10V) protocol for separate control of luminaire CCT and intensity or a digital (DMX, DALI, and LD2) protocol for synchronous control of both warm and cool LED arrays to enable the user to set color temperature and light output. Commonly called "tunable white", Chromawerx two-channel control provides the range of cool (6500K) to warm (2700K) color that can be useful for helping to entrain circadian rhythms, stimulate alertness for improved educational and work productivity, and compensate for jet lag, among other applications. The Chromawerx drivers are programmed to limit maximum light output and power usage across all color temperatures. CRI is maintained above 80. When paired with DALI drivers (DDA/DDA8), color tuning follows a linear dimming curve.



WELL BUILDING STANDARD



WELL for Light: The WELL building standard focuses on light quality in several features. There are three categories that are fully attributed to the construction and features of a luminaire. In WELL V1, it's Feature 54 Circadian Lighting, Feature 55 Glare Control, and Feature 58 Color Quality. In WELL V2, it's Feature L03 Circadian Lighting, Feature L04 Glare Control, and Feature L07 Electric Light Quality.

This fixture meets Features:

- Feature 54 or L03 when DUO is selected
- Feature 58 or L07 when 90 CRI is selected

All LED drivers used at Lumenwerx are deemed to have a low risk level of flicker, of 5% or less below 90Hz operational as defined by IEEE standard 1789-2015 LED.



WELL for Mind: This luminaire meets WELL for mind as it is a human centric luminaire offering quality light, excellent color, and smooth optics. If any of these features are incorporated in a luminaire, it can improve the ability to focus, concentrate, and persist longer on a given task. This fixture harmoniously operates in a space to assist the mind.

For more information, please contact well@lumenwerx.com

PATTERN LENGTH

Via 2 Seal can be ordered in 1' and/or 1" increments. Continuous runs are available for run lengths over 12'. The minimum length is 2' for Direct fixtures, and 3' for Direct/Indirect fixtures. All individual sections are joined together onsite using the joiner kits provided. Lumenwerx joiner kits are extremely simple to work with in the field and result in a fixture that appears virtually seamless with no light leak at any connection.

WEEP HOLES

The Direct/Indirect fixtures with the Wet Suitable (WET) option feature a weep hole situated in the end cap. Water and moisture that enters the fixture will be expelled through this hole.



VIA 2 SEAL

PENDANT PATTERN
DIRECT, DIRECT/INDIRECT
CHROMAWERX - SOLA, DUO

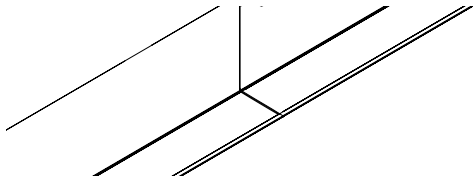


VIA WEATHER SERIES

JOINING SYSTEM

All individual sections are joined together onsite using the ¼"-20 screws and nuts provided. The junction between two adjacent sections creates a continuous line of light without shadows.

Wet Suitable - WET



Continuous line of light

ELECTRICAL

SOLA

SD1

Factory-set, adjustable output current LED driver with universal (120-277 VAC) input. Using a single 0-10V control signal, the light output warms in color temperature as it dims down to 1% and 2200K. At maximum driver load, efficiency<86%, PF>0.9, THD<20%.

DUO

DMX

Factory-set adjustable output current electronic driver with 120-277 VAC line input. Using DMX wall controls (optionally supplied by Lumenwerx) or an existing DMX control system, both channels of LEDs are independently adjustable. Each DMX driver can be independently addressed using the built-in RDM (Remote Device Management) in the field. Dimming down to 1% is attainable. Rated life (90% survivorship) of 50,000 hours at 50°C maximum ambient temperature. At maximum driver load, efficiency<84%, PF>0.9, THD<20%.

DALI

Factory-set adjustable output current electronic driver with 120-277 VAC line input. Using an existing DALI control system (supplied by others), one control channel adjusts the fixture color temperature, and the other control channel adjusts fixture brightness. With DALI Type 6, two DALI addresses are required to control both channels. With DALI Type 8, one DALI address is required to control both channels. Dimming down to 1% is attainable. Rated life (90% survivorship) of 50,000 hours at 50°C maximum ambient temperature. At maximum driver load, efficiency<84%, PF>0.9, THD<20%.

DD1

Factory-set adjustable output current LED driver with universal (120-277 VAC) input. Controlled via two individual 0-10V signals, one for setting light output down to a minimum of 1% and the other for adjusting the CCT (default range of 6500K-2700K). Rated life of 50,000 hours at 70°C maximum driver case temperature and 100% load conditions. Typical efficiency of 86%, PF>0.9, THD<20% at 100% load conditions.

LD2

Lutron DALI-2 digital drivers provide a high-performance tunable white solution with single-address digital control. Guaranteed performance and compatibility when used with Lutron DALI-2 controls.

PoE

Depending on the PoE manufacturer selected, Lumenwerx will install the node in factory as either integral to the luminaire or as a remote module. Factory programming of the PoE node may or may not enable the following functionalities: lumen package, DUO (tunable white), QUADRO (RGBW), emergency battery backup, and sensor integration. These must be addressed and evaluated on a case-by-case basis.

MOUNTING

Pendant fixtures can be mounted with stem. See page 2 for details.

FINISH

Interior: 95%, reflective matte powder coated white paint

Exterior: Powder-coat paint in matte white, matte black, or aluminum. Custom finishes are also available. Optional antimicrobial finish.

CONSTRUCTION

Housing: Extruded aluminum, up to 90% recycled content

Interior brackets: Die-formed cold rolled sheet steel

Reflectors: Die-formed cold rolled sheet steel, 95% reflective matte white painted

End cap: Die-cast aluminum

End cap gasket: 1/16" closed-cell silicone foam

VIA 2 SEAL

PENDANT PATTERN
DIRECT, DIRECT/INDIRECT
CHROMAWERX - SOLA, DUO



VIA WEATHER SERIES

CERTIFICATIONS

ETL: WET environment option is rated for dry/damp locations. Conforms to UL Standard 1598 and certified to CAN/CSA Standard C22.2 No. 250.0.

IK05: Impact resistance rated to IK05

WARRANTY

Lumenwerx provides a five-year limited warranty on electrical and mechanical performance of the luminaires, including the LED boards, drivers, and auxiliary electronics. Lumenwerx will repair or replace defective luminaires or components at our discretion, provided they have been installed and operated in accordance with our specifications. Other limitations apply, please refer to the full warranty on our website. Wall controllers are covered by the manufacturer warranty.

VIA 2 SEAL

PENDANT PATTERN
DIRECT, DIRECT/INDIRECT
CHROMAWERX - SOLA, DUO



VIA WEATHER SERIES

DUO DMX SPECIFICATION

A qualified DMX integrator is required to assure proper installation and commissioning of the DMX network. **When placing the PO, please provide the contact information of your DMX integrator.**

Please answer the following questions to help us identify your DMX network requirements.

YES

Do you require a wall controller provided by Lumenwerx?

NO

DMX controller supplied by Lumenwerx

DMX control system supplied by others. Lumenwerx will supply DMX-enabled fixtures with default DMX addressing. See following pages for technical DMX informations. ✓

How many zones do you have?

A zone consists of one or more luminaires behaving identically.



1 Zone



2 Zones

How to calculate the required number of drivers:

per 4' fixture

Driver
1x driver

Direct only

per 4' fixture

Driver Driver
2x driver

Direct high output

To Calculate # of drivers

1 - 4 Zones

5 or more Zones

Do you have more than 32 drivers in total?

NO

YES

Order a standard Lumenwerx wall controller.

WALL CONTROLLER

WCW - wall controller white
WCB - wall controller black

Add the control code at the end of your order code.

Please provide a fixture layout or RCP (Reflected Ceiling Plan) showing the locations of the DMX fixtures, zones and the DMX wall controller.

Refer to your DMX integrator for the installation. ✓

Subject to factory evaluation and approval. Please contact our controls specialist at controls@lumenwerx.com. Additional cost and equipment will be required. ✓

Subject to factory evaluation. Please contact our controls specialist at controls@lumenwerx.com. Additional cost and equipment will be required. ✓

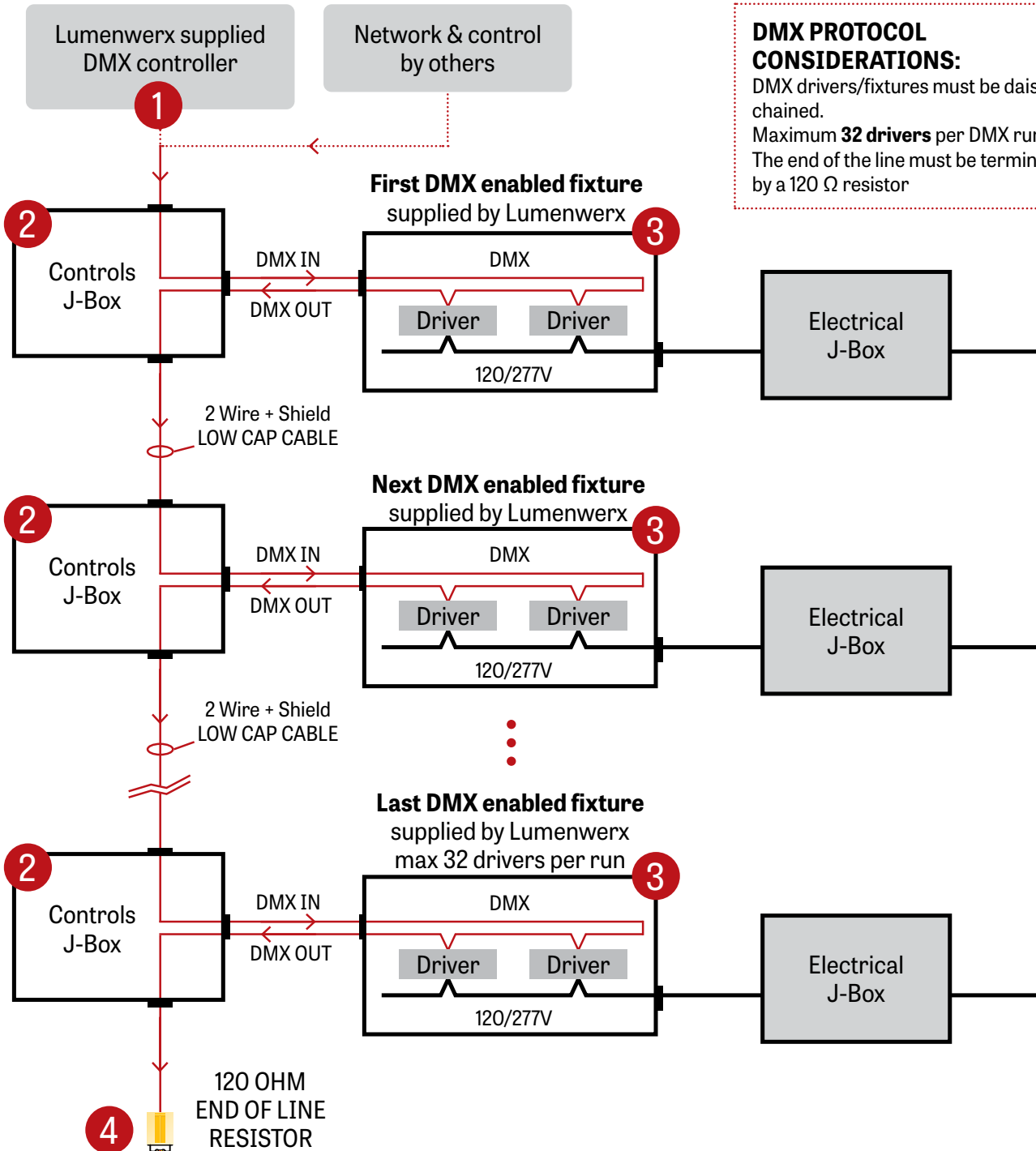
VIA 2 SEAL

PENDANT PATTERN
 DIRECT, DIRECT/INDIRECT
 CHROMAWERX - SOLA, DUO



VIA WEATHER SERIES

GENERIC DMX NETWORK ARCHITECTURE



DMX PROTOCOL CONSIDERATIONS:

DMX drivers/fixtures must be daisy chained.
 Maximum **32 drivers** per DMX run.
 The end of the line must be terminated by a 120 Ω resistor

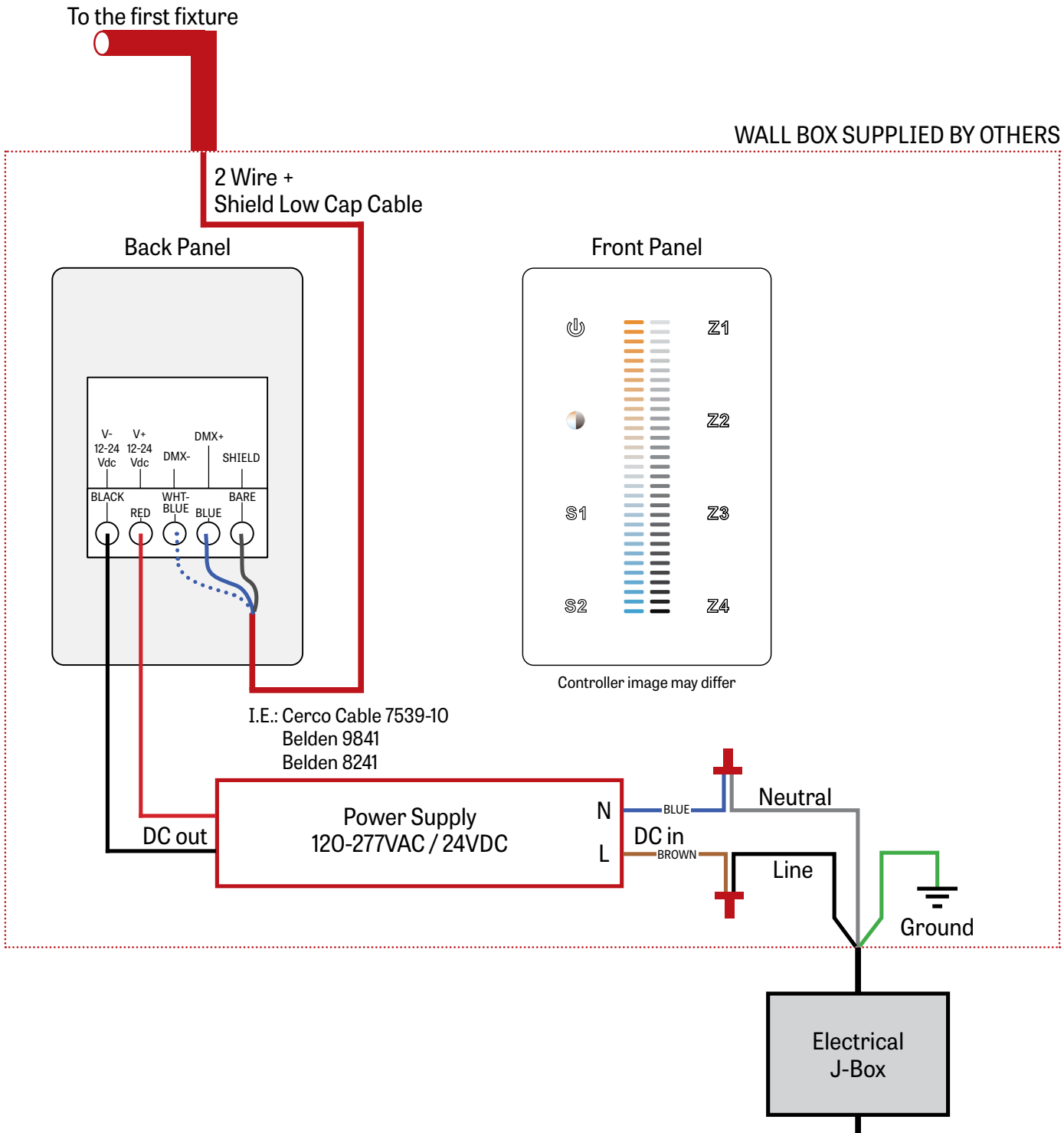
VIA 2 SEAL

PENDANT PATTERN
DIRECT, DIRECT/INDIRECT
CHROMAWERX - SOLA, DUO



VIA WEATHER SERIES

1 LUMENWERX SUPPLIED DMX CONTROLLER



VIA 2 SEAL

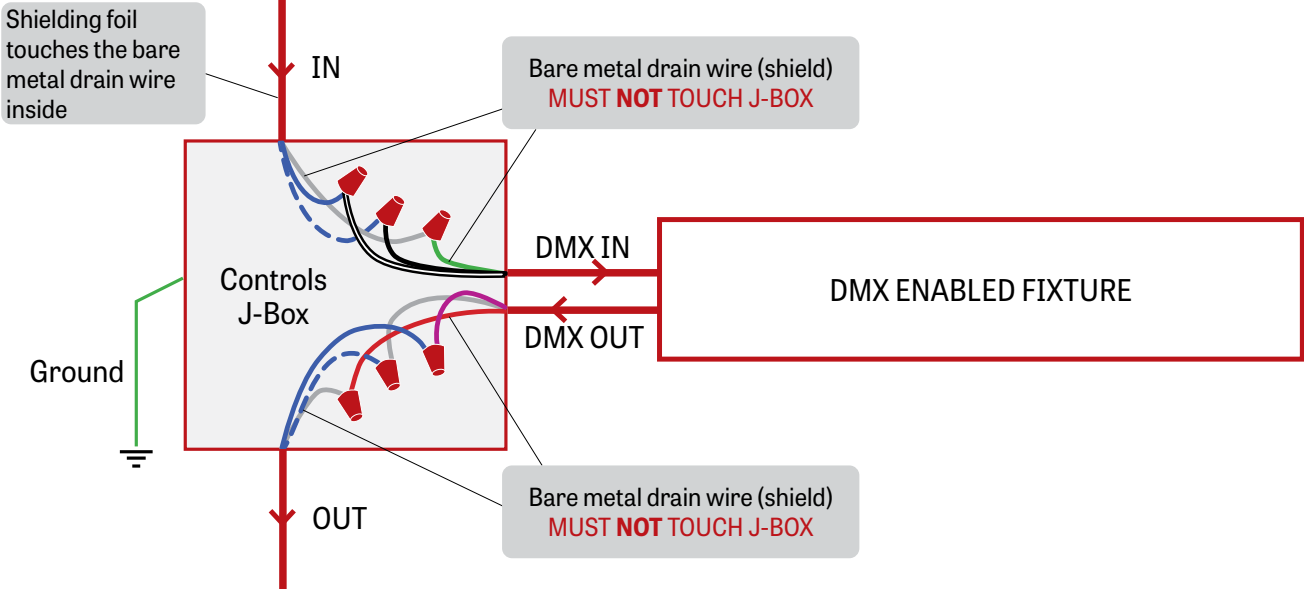
PENDANT PATTERN
 DIRECT, DIRECT/INDIRECT
 CHROMAWERX - SOLA, DUO



VIA WEATHER SERIES

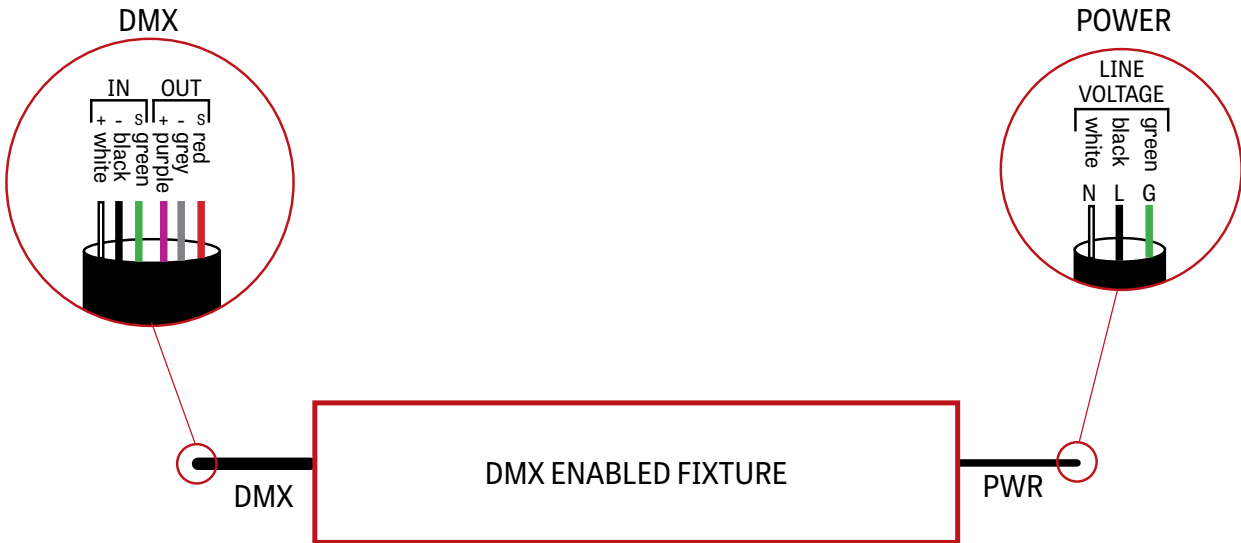
2 J-BOX DMX DAISY CHAIN DETAIL

Low capacitance DMX Cable from Previous Fixture



Low capacitance DMX cable to next fixture

3 DMX CONNECTION PENDANT & WALL



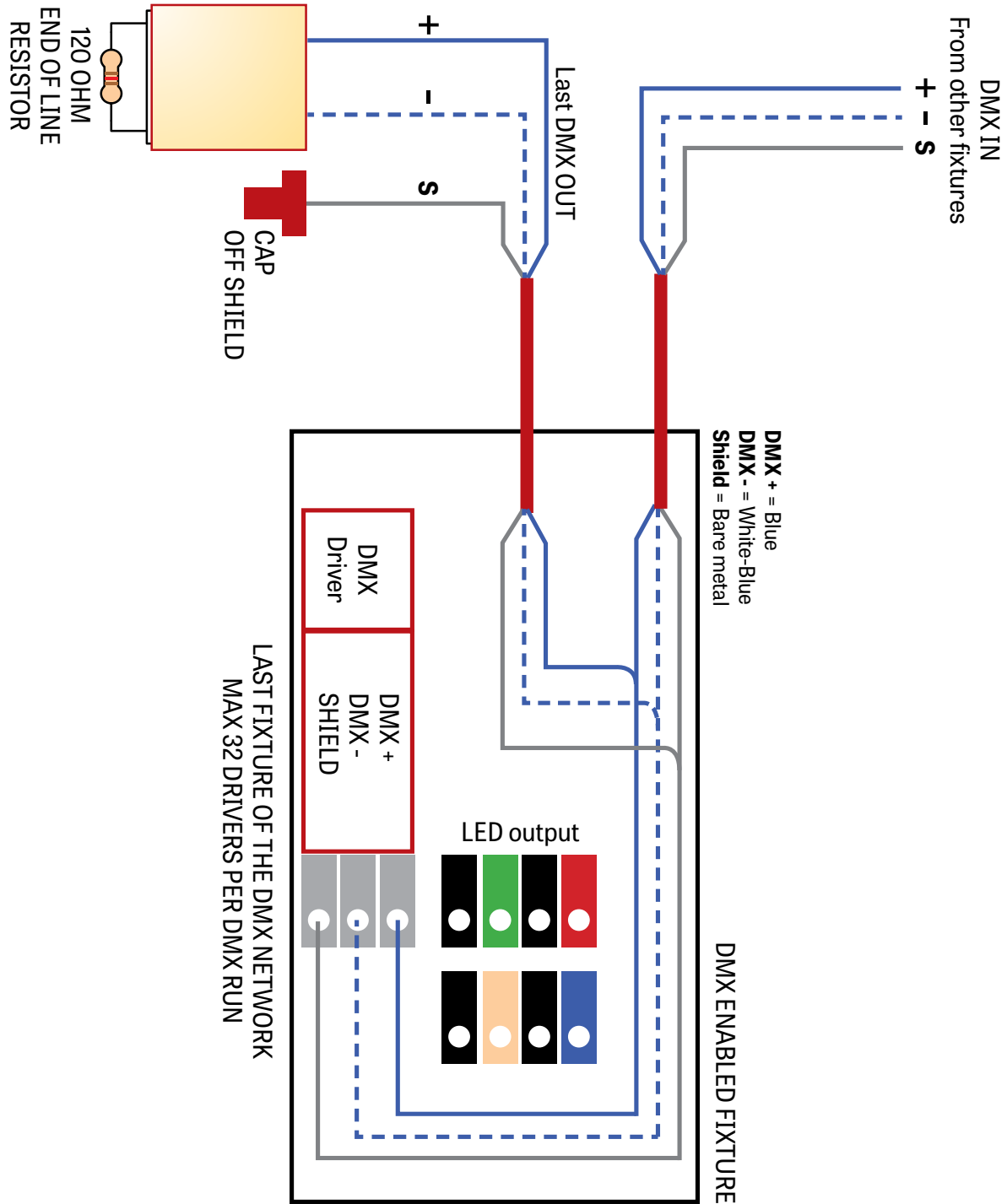
VIA 2 SEAL

PENDANT PATTERN
 DIRECT, DIRECT/INDIRECT
 CHROMAWERX - SOLA, DUO



VIA WEATHER SERIES

4 DMX LAST FIXTURE DETAIL



VIA 2 SEAL

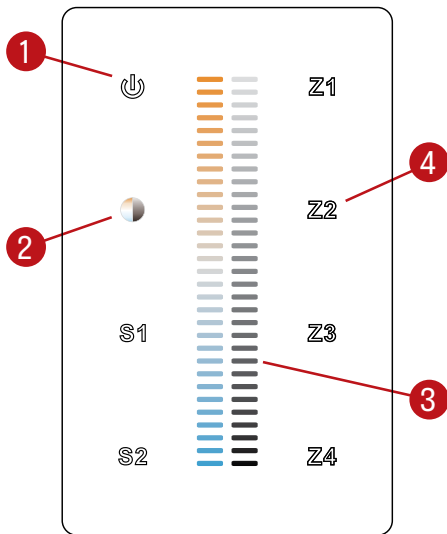
PENDANT PATTERN
DIRECT, DIRECT/INDIRECT
CHROMAWERX - SOLA, DUO



VIA WEATHER SERIES

DMX WALL CONTROLLER

DUO 1-4 ZONE



- (1) Power: Use this button to turn ON or OFF the fixture.
- (2) Brightness/CCT: Use the color/brightness toggle button to choose between color/brightness. When Blue: brightness is selected, when Yellow: color is selected.
- (3) Slider: Depending on the mode chosen in step 2, the slider will allow the user to set desired color or brightness.
- (4) Zone select: Up to 4 zones can be selected either independently or together. Once selected, the commands will be sent to the zone identified by a Blue LED.

Default DMX Addresses:

- 1 Warm
- 2 Cool

VIA 2 SEAL

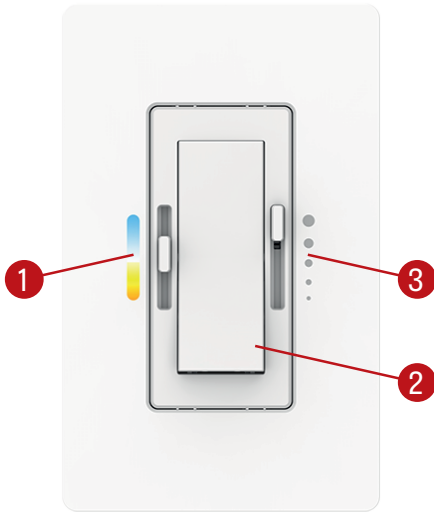
PENDANT PATTERN
DIRECT, DIRECT/INDIRECT
CHROMAWERX - SOLA, DUO



VIA WEATHER SERIES

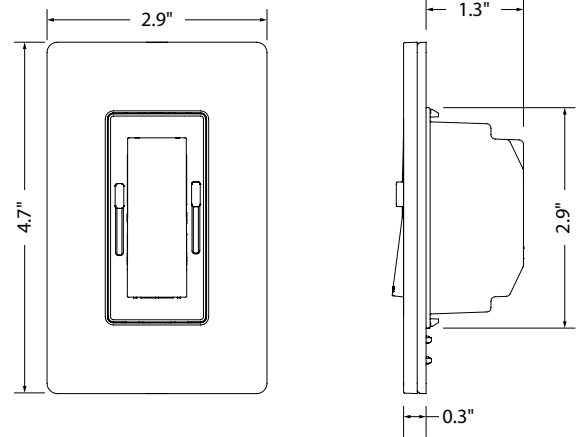
DUAL 0-10V WALL CONTROLLER

Front Panel



Controller image may differ

Dimensions



- (1) CCT control: Use this button to adjust the color temperature.
- (2) On/Off switch: Use this button to turn ON or OFF the fixture.
- (3) Dimming control: Use this button to adjust the brightness.

Wiring Diagram

