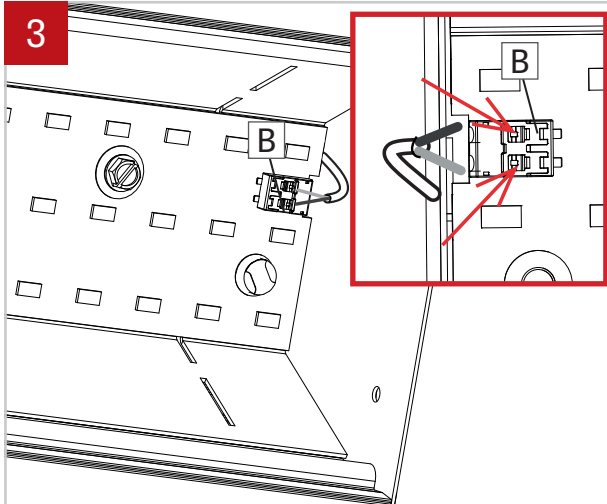
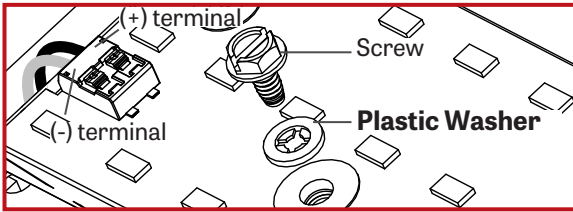


IMPORTANT: Installation instructions are shown with Via 4 and applies to all Via sizes

NOTE: Wire dimming conductors as Class 1

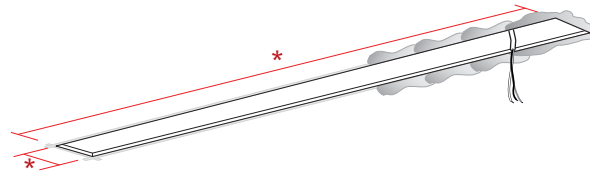


Reflector must be reinstalled with the screw and plastic washer that was originally supplied. If not, it can result in an electrical failure
Make sure to reconnect the wires to the LED boards correctly



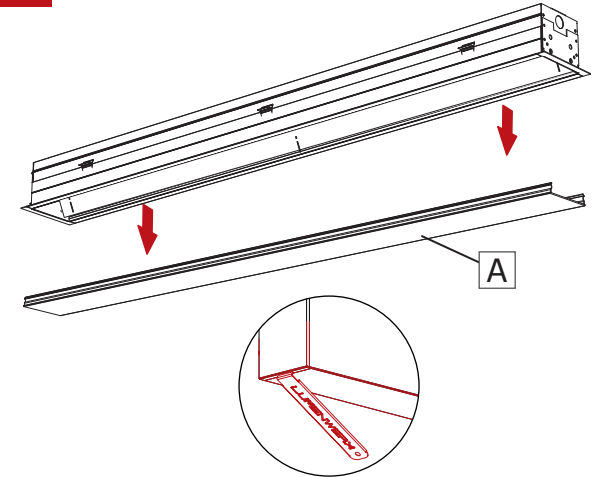
Disconnect LED molex connector (B) by taking a pointed object and pressing on the two tabs on the top.

1 SINGLE FIXTURE



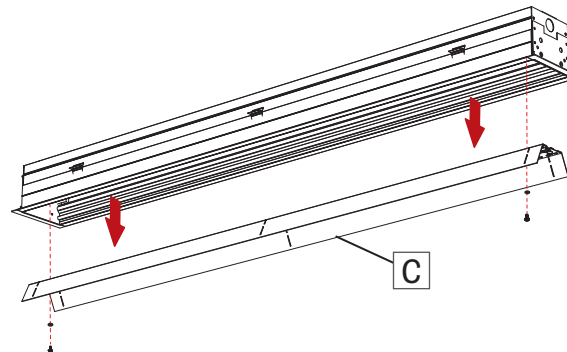
Prepare the area where the fixture is going to be installed. Cut hole in the drywall according to the dimensions [*] in the client drawings. Tape and finish the edges of the drywall.

2



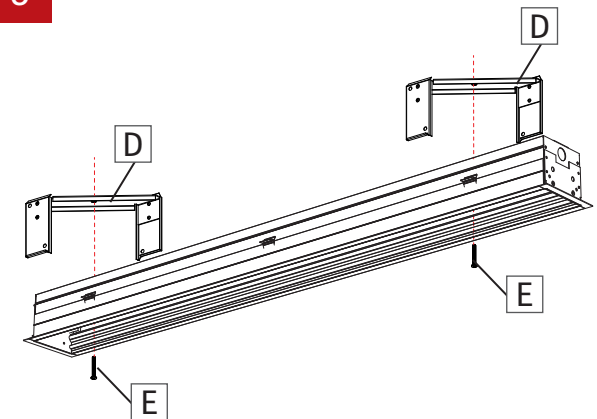
Remove the lens (A) with the included lens tool.

4

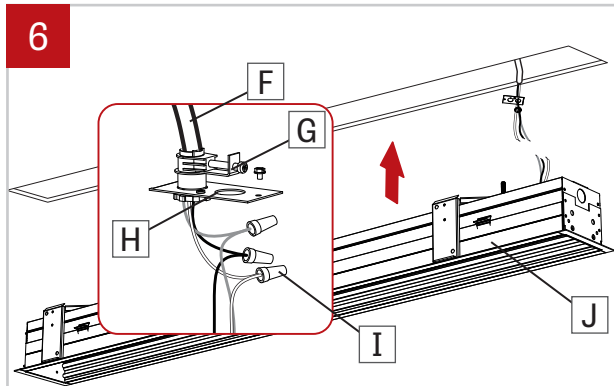


Remove the cartridge (C).

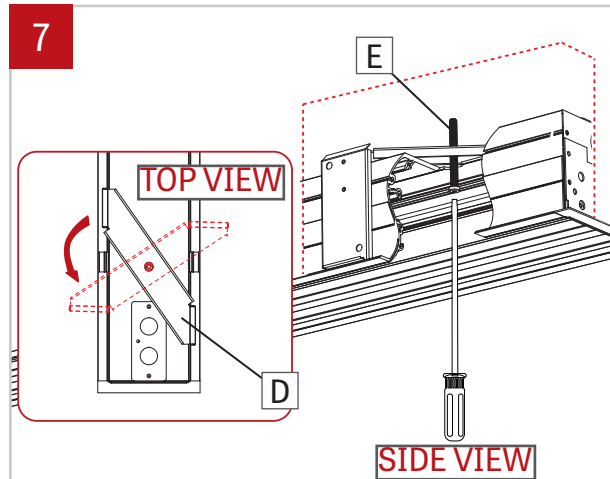
5



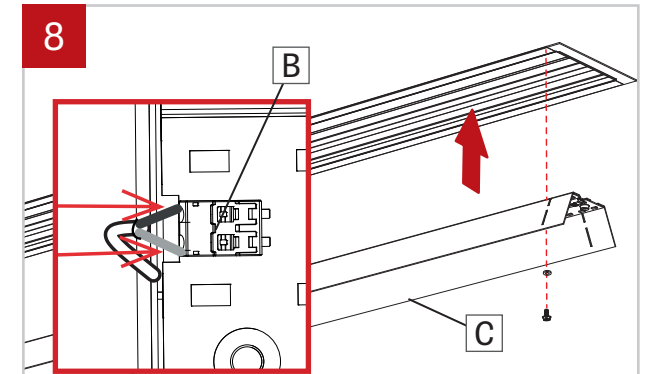
Remove the screw (E) from the drywall bracket (D). Install the drywall brackets (D) on the fixture and secure them by putting back in place the screws (E). Make sure that the screws are not overtighten and that the drywall brackets (D) don't rotate in place.



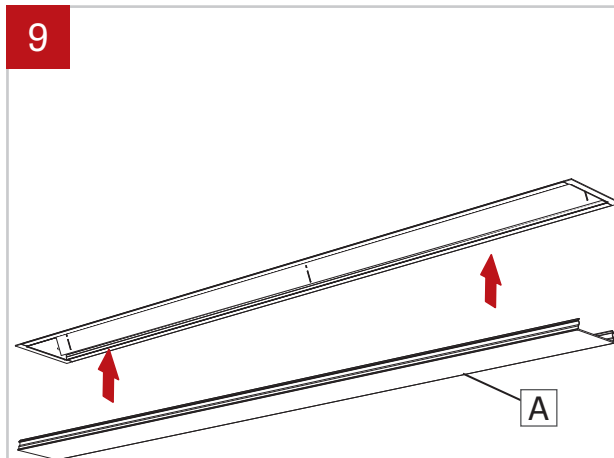
Install power cable (F) (by other) through the BX connector (G) (by other) and install onto the power plate (H) provided. Make electrical connections between power cable (F) and fixture cables using electrical marettes (I). Reinstall the power plate (H) to the fixture (J). Insert the fixture into pre-cut hole in drywall. **Number of wires may vary.**



Tighten the drywall bracket screws (E) to rotate the drywall brackets (D) in place. Tighten the drywall bracket screws (E) to lock into place.

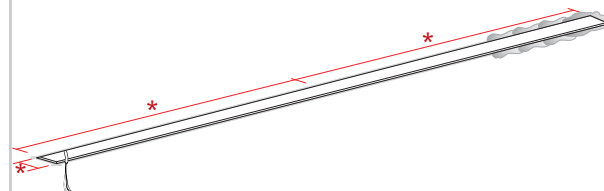


Reinstall the cartridge(s) (C) and reconnect the LED molex connector (B). **NOTE: connect black wire into the negative (-) terminal and the white wire into (+) positive terminal.** Make sure that the wires are not hiding any LED diode. Screw the cartridge back in place by **using screw with plastic washer.** **Do not apply too much pressure.**

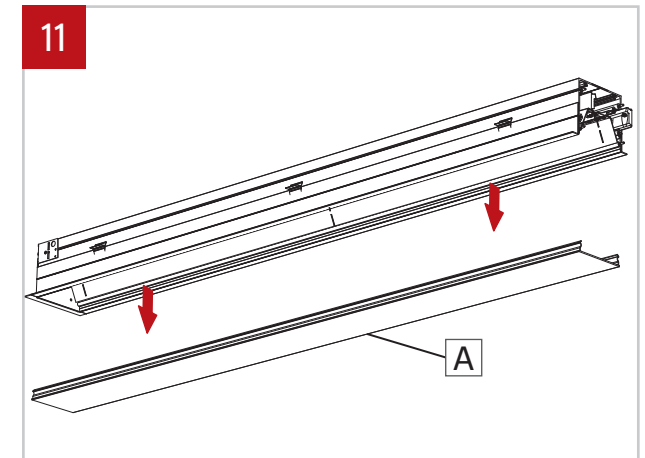


Put the lens (A) back in place.

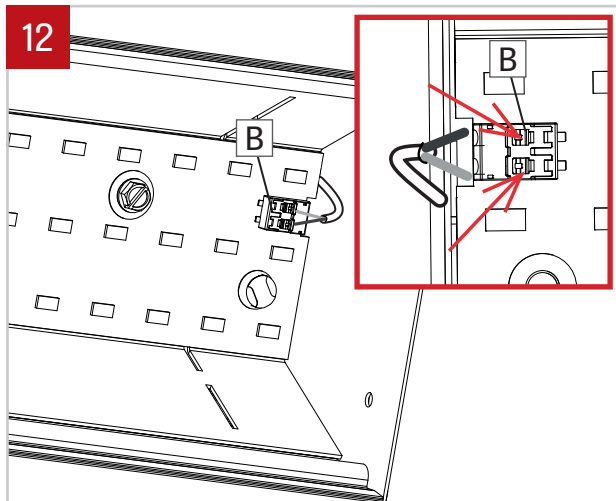
10 CONTINUOUS SYSTEM



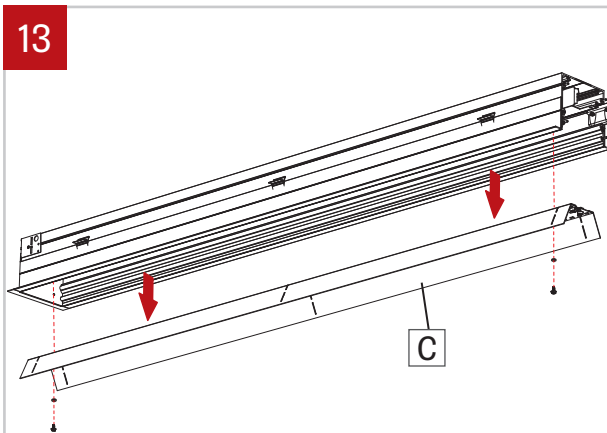
Prepare the area where all the sections are going to be installed. Cut hole in the drywall according to the dimensions [*] in the client drawings. Tape and finish the edges of the drywall.



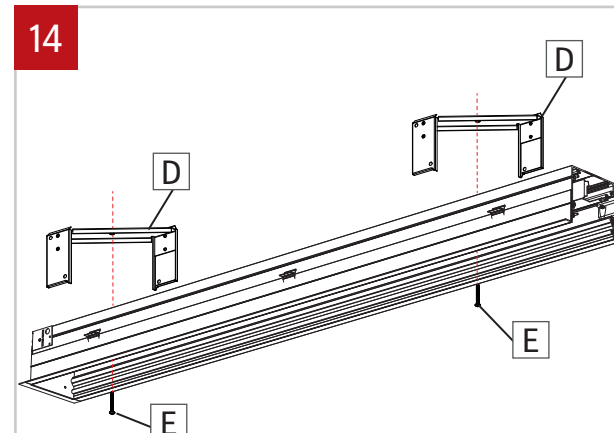
Remove the lenses (A) of all the fixtures in the run with the included lens tool.



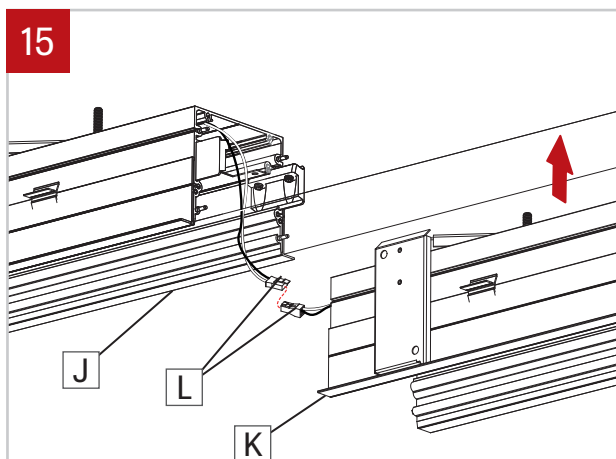
Disconnect LED moxex connector (B) by taking a pointed object and pressing on the two tabs on the top.



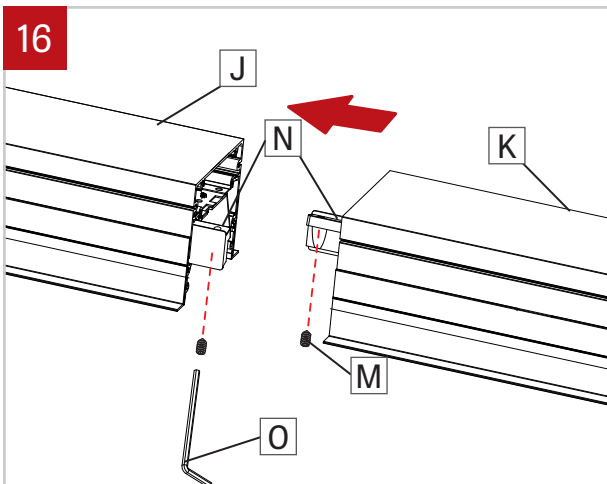
Remove all the end LED cartridges (C).



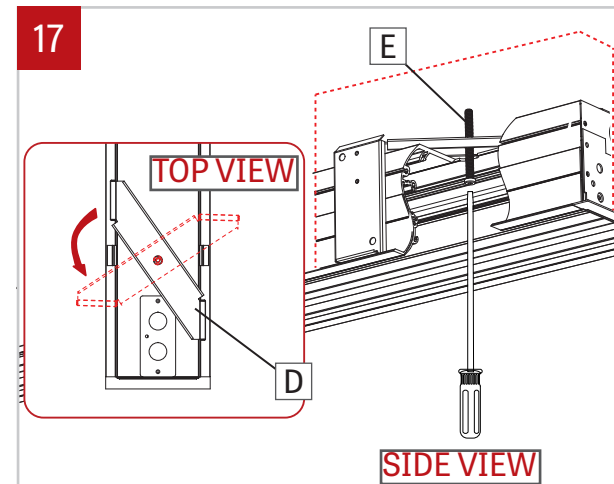
Remove the screw (E) from the drywall bracket (D). Install the drywall brackets (D) on the fixture and secure them by putting back in place the screws (E). Make sure that the screws are not overtighten and that the drywall brackets (D) don't rotate in place.



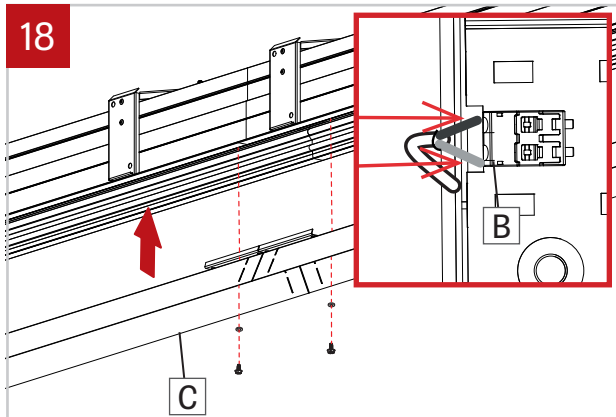
Apply steps 5 and 6 to the first fixture in the run (J). Make the wires connection between (J) and (K) using quick connector (L). Insert the second section (K) into the drywall hole.



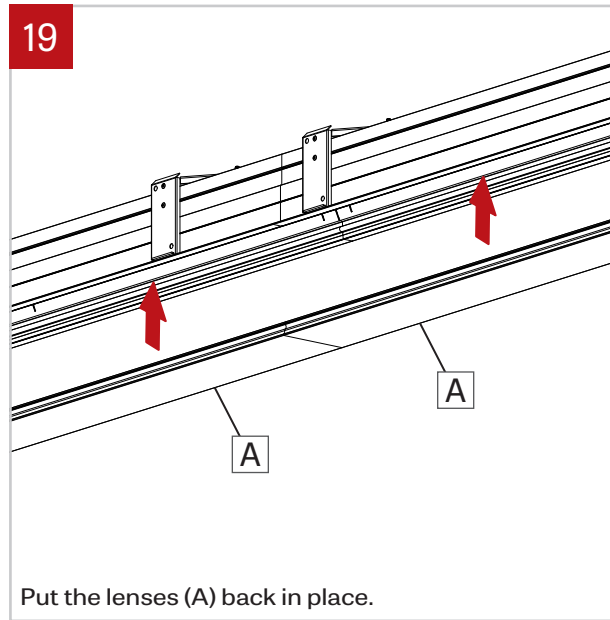
Slide the fixture (J) to the fixture (K) using alignment pins as guides. Tighten the set screws (M) on both joining brackets (N) using an Allen Key (O) to secure the fixtures together.



Tighten the drywall bracket screws (E) to rotate the drywall brackets (D) in place. Tighten the drywall bracket screws (E) to lock into place.



Reinstall the cartridge(s) (C) and reconnect the LED molex connector (B). **NOTE: connect black wire into the negative (-) terminal and the white wire into (+) positive terminal.** Make sure that the wires are not hiding any LED diode. Screw the cartridge back in place by **using screw with plastic washer.** **Do not apply too much pressure.**



Put the lenses (A) back in place.