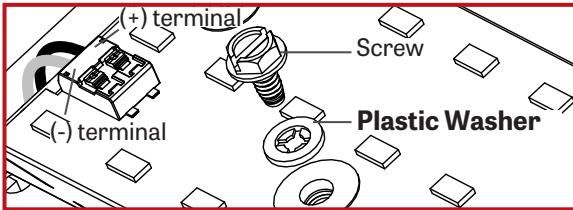


IMPORTANT: Installation instructions are shown with Via 4 and applies to Via 3-4-5

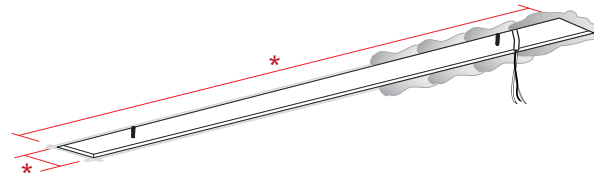
NOTE: Wire dimming conductors as Class 1



Reflector must be reinstalled with the screw and plastic washer that was originally supplied. If not, it can result in an electrical failure
Make sure to reconnect the wires to the LED boards correctly

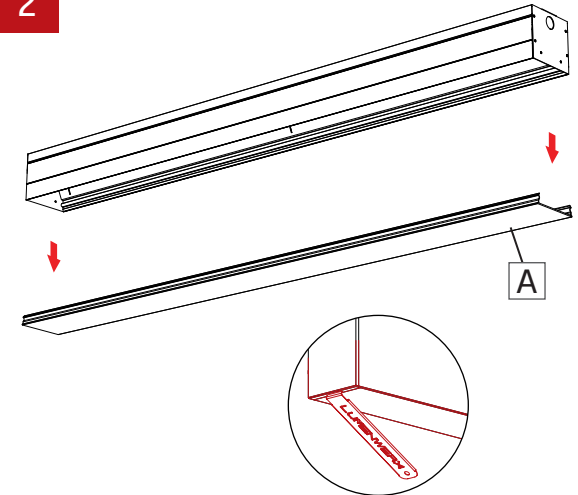


1 SINGLE FIXTURE



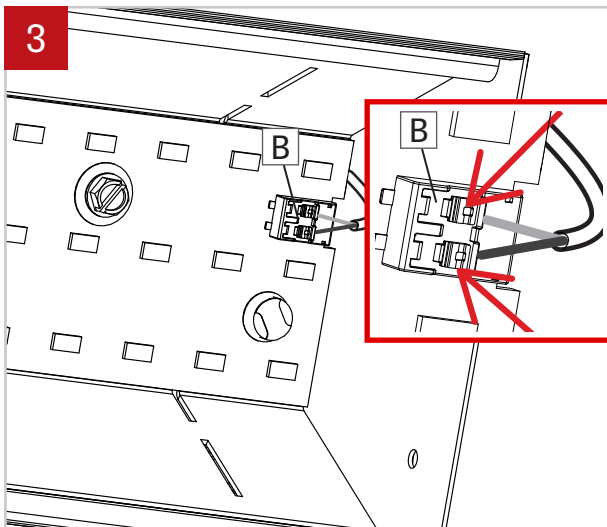
Prepare the area where the fixture is going to be installed. Cut hole in the drywall according to the dimensions [*] in the client drawings.

2



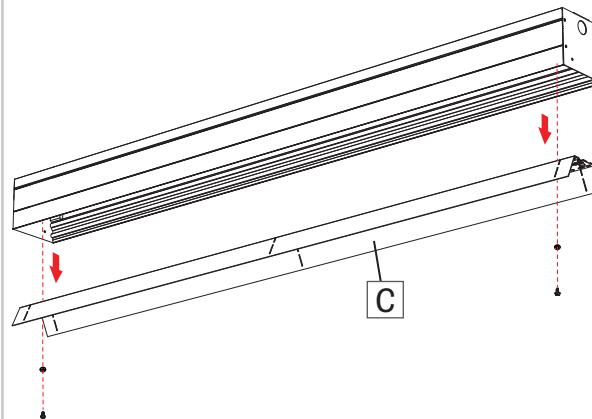
Remove the lens (A) with the included lens tool.

3



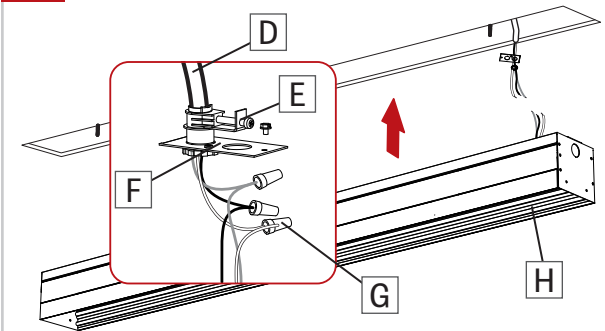
Disconnect LED mox connector (B) by taking a pointed object and pressing on the two tabs on the top.

4

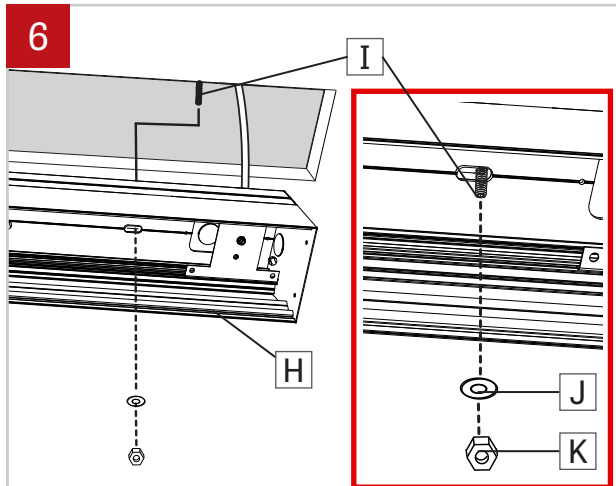


Remove the cartridge (C).

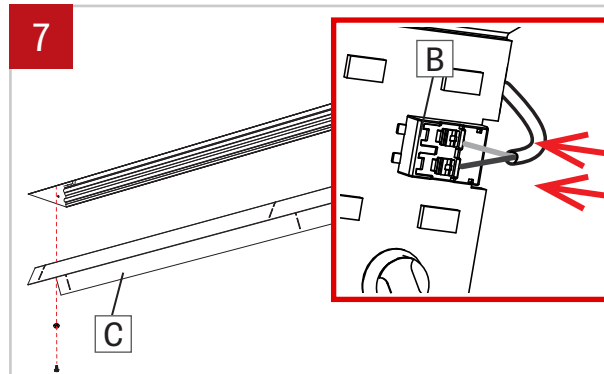
5



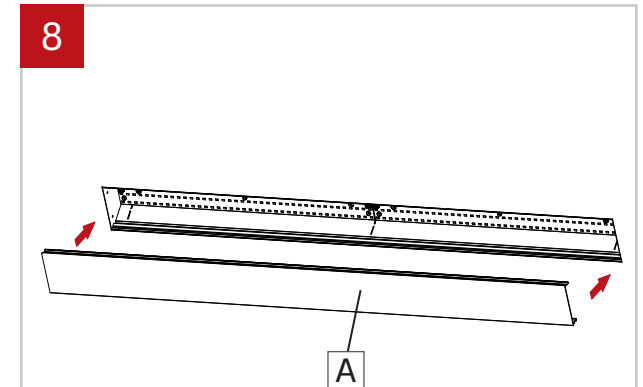
Install power cable (D) (by other) through the BX connector (E) (by other) and install onto the power plate (F) provided. Make electrical connections between power cable (D) and fixture cables using electrical marettes (G). Reinstall the power plate (F) to the fixture (H). **Number of wires may vary.**



Insert fixture (H) into pre-cut hole in drywall, aligning threaded rods (I) with holes in top of fixture (H). Put washers (J) and tighten nuts (K) to secure the fixture (H).

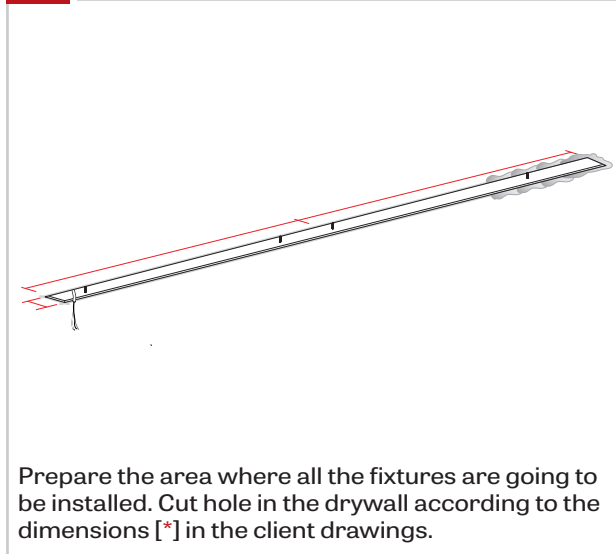


Reinstall the cartridge (C) and reconnect the LED molex connector (B). **NOTE: connect black wire into the negative (-) terminal and the white wire into (+) positive terminal.** Make sure that the wires are not hiding any LED diode. Screw the cartridge back in place by **using screw with plastic washer.** **Do not apply too much pressure.**

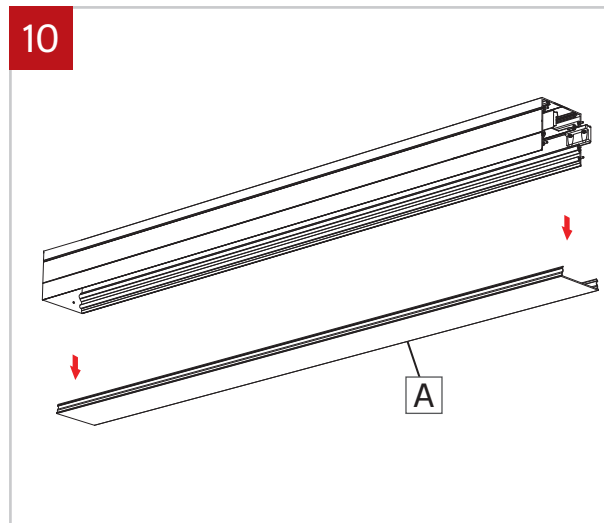


Put the lens (A) back in place.

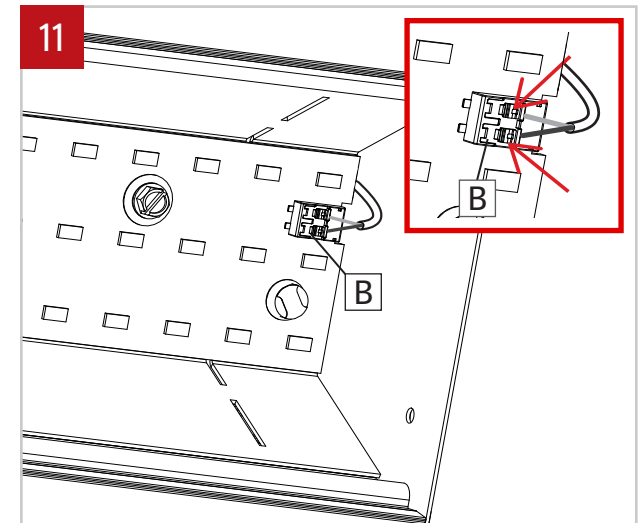
9 CONTINUOUS SYSTEM



Prepare the area where all the fixtures are going to be installed. Cut hole in the drywall according to the dimensions [*] in the client drawings.



Remove the lenses (A) of all the fixtures in the run with the included lens tool.



Disconnect LED molex connector (B) by taking a pointed object and pressing on the two tabs on the top.

