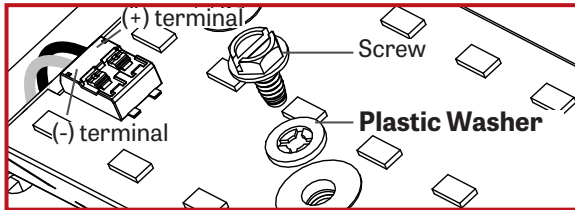


**IMPORTANT:** Installation instructions are shown with Via 4 and applies to Via 3-4-5

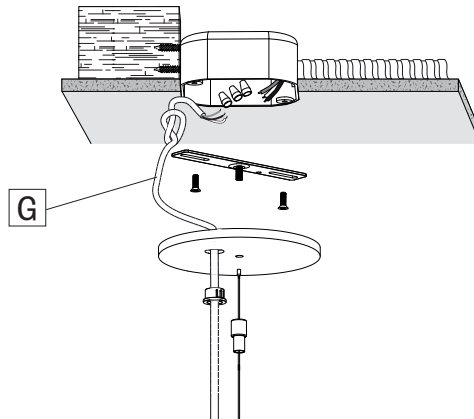
**NOTE:** Wire dimming conductors as Class 1



Reflector must be reinstalled with the screw and plastic washer that was originally supplied. If not, it can result in an electrical failure  
Make sure to reconnect the wires to the LED boards correctly

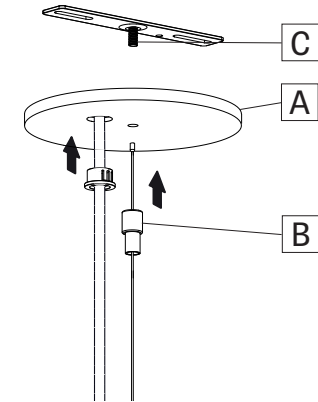


**1** SINGLE FIXTURE



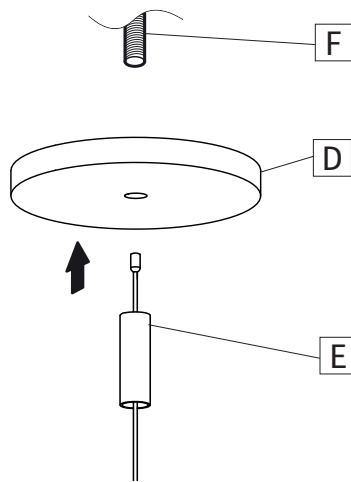
Locate ceiling mounting points according to supplied client drawing. Make a knot in the power cord (G) and then connect it to the ceiling power feed.

**2** POWER SIDE



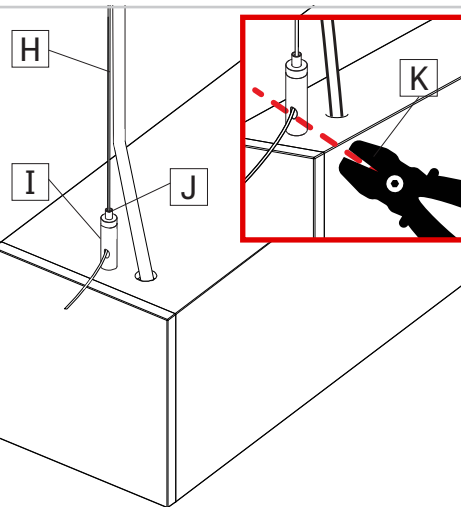
Secure canopy (A) with slip ring (B) on threaded rod (C).

**3** NON-POWER SIDE



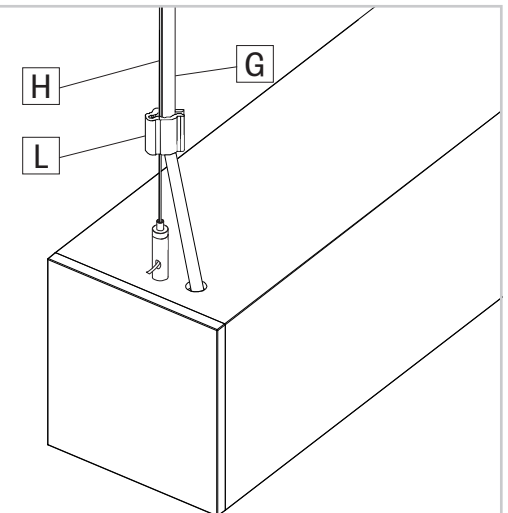
Secure canopy (D) with cable coupler (E) on crimp strud (1/4"-20) (F) (by other).

**4**



Insert the aircraft cable (H) into the griplock (I). Adjust the cable (H) length by pushing the feeder tube (J) and **cut the excess cable** with an aircraft cable cutter (K).

**5**



Secure power cord (G) to aircraft cable (H) with plastic clip (L).

**6** CONTINUOUS SYSTEM

**POWER SIDE**      **NON POWER SIDE**

For a continuous system, repeat steps 1 to 3 for all mounting.

**7**

**M**

Remove the lens (M) with the included lens tool.

**8**

**N**

Disconnect LED moxex connector (N) by taking a pointed object and pressing on the two tabs on the top.

**9**

**O**

Remove all the end LED cartridges (O).

**10**

**P**

**Q**

Install the aircraft cables on the first fixture. Then install it on the second fixture (as shown in steps 4 and 5). Slide aligners (P) into fixture. Connect wires between joining fixtures using quick connectors (Q) Push wires inside the second fixture. **Number of wires may vary.**

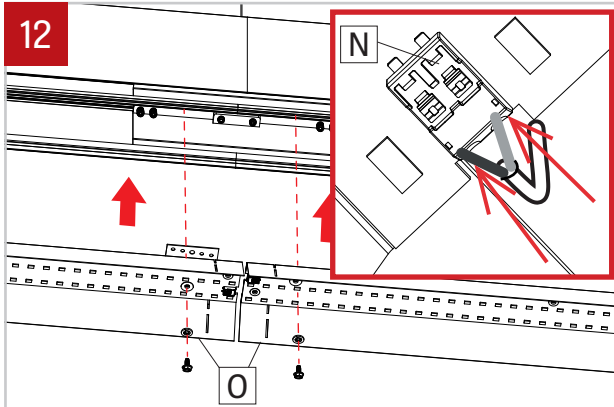
**11**

**Section 1**      **Section 2**

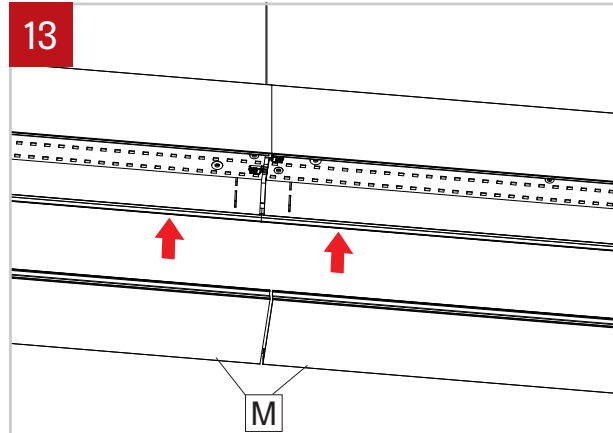
The joiner is between 2 sections.

**R**

Secure fixtures together with supplied screws (R). Repeat steps 10 and 11 for all others fixtures in the run.



Reinstall the cartridges (O) and reconnect the LED moxex connector (N). **NOTE: connect black wire into the negative (-) terminal and the white wire into (+) positive terminal.** Make sure that the wires are not hiding any LED diode. Screw the cartridge back in place by **using screw with plastic washer. Do not apply too much pressure.**



Put the lens (M) back in place. Level all fixture.