

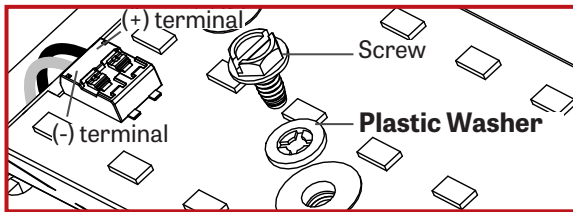
IMPORTANT: Installation instructions are shown with Via 4 and applies to all Via 3-4-5

NOTE: Wire dimming conductors as Class 1

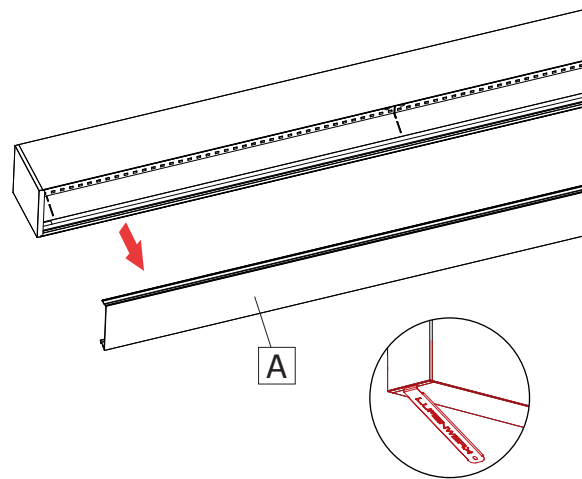


Reflector must be reinstalled with the screw and plastic washer that was originally supplied. If not, it can result in an electrical failure

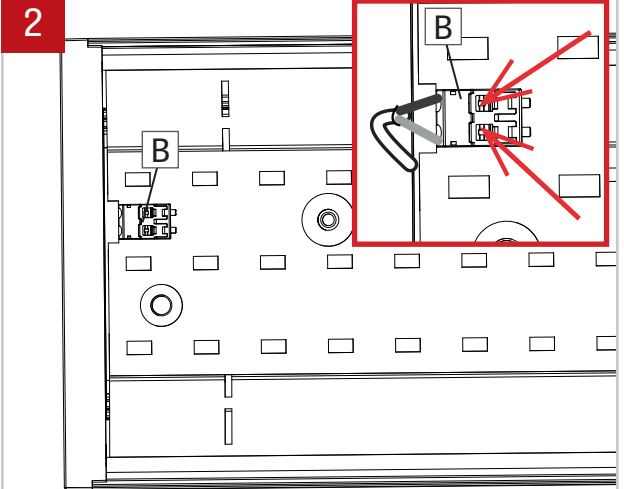
Make sure to reconnect the wires to the LED boards correctly



1 SINGLE FIXTURE

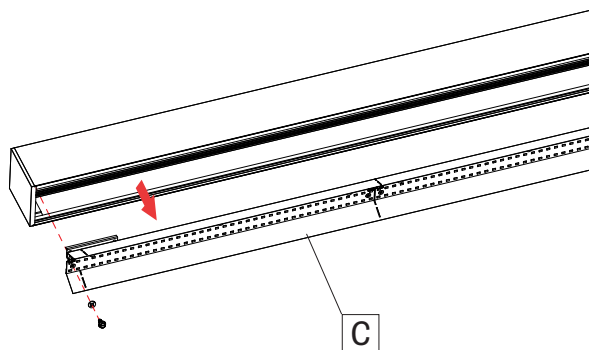


Remove the lens (A) with the included lens tool.



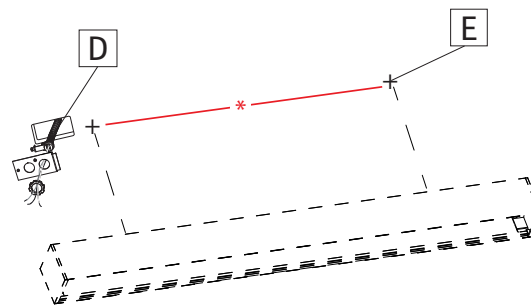
Disconnect LED mox connector (B) by taking a pointed object and pressing on the two tabs on the top.

3



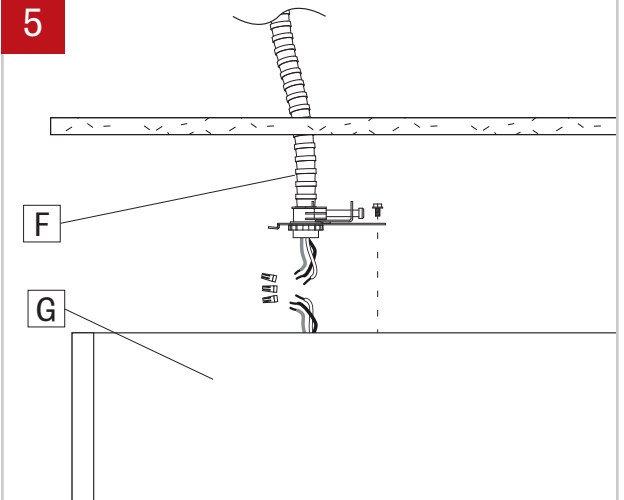
Remove the cartridges (C).

4



Locate junction box (D) and mounting points (E) in the ceiling. Refer to dimensions supplied in client drawings.

5



Make electrical connections between main power (F) and fixture (G). **Number of wires may vary.**

