

WALL DIRECT

Page 2

WALL INDIRECT

Page 6

**WALL DIRECT/ INDIRECT
for VIA 3 & 4 only**

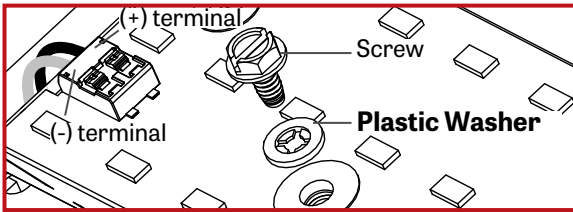
Page 10

IMPORTANT: Installation instructions are shown with Via 4 and applies to Via 3-4-5

NOTE: Wire dimming conductors as Class 1



Reflector must be reinstalled with the screw and plastic washer that was originally supplied. If not, it can result in an electrical failure
Make sure to reconnect the wires to the LED boards correctly

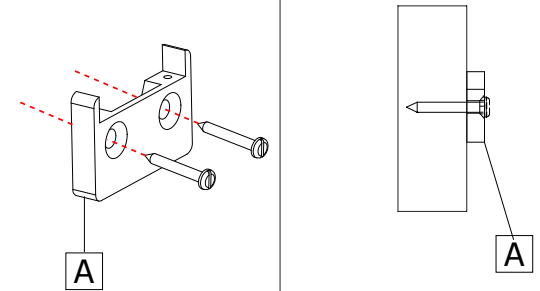


This product must be installed in accordance with the National Electrical Code and all applicable local codes, by a person familiar with the construction and operation of the product, and the hazards involved. proper grounding is required for safety.

Ce produit doit être installé suivant le code national de l'électricité, ainsi que tous les codes locaux applicables, par une personne familière avec la construction et le fonctionnement du produit, ainsi que tous les risques qui y sont associés. la mise à terre électrique est obligatoire pour la sécurité.

1

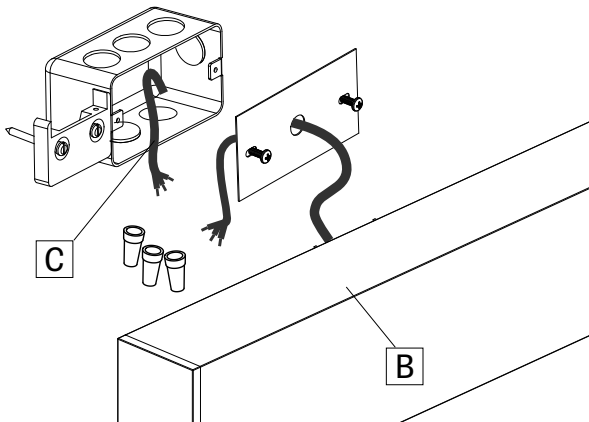
SINGLE FIXTURE



SIDE VIEW

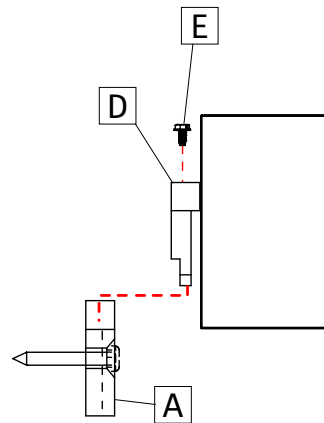
Locate wall bracket position using provided client drawing. Install mounting brackets (A) to wall. Align with structural stud (need double studs – distance between screws is 1.250"). Flat head Phillips drive screw, nominal size #10, min. length 1.250".

2



Make wire connection between fixture (B) and wall power cable (C). Number of wires may vary.
Warning : Power must come from Single branch circuit

3

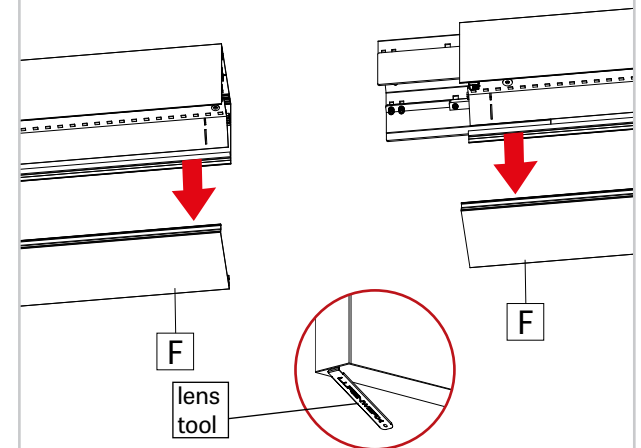


Insert fixture bracket (D) into wall bracket (A), and secure in place with supplied screws (E).

4

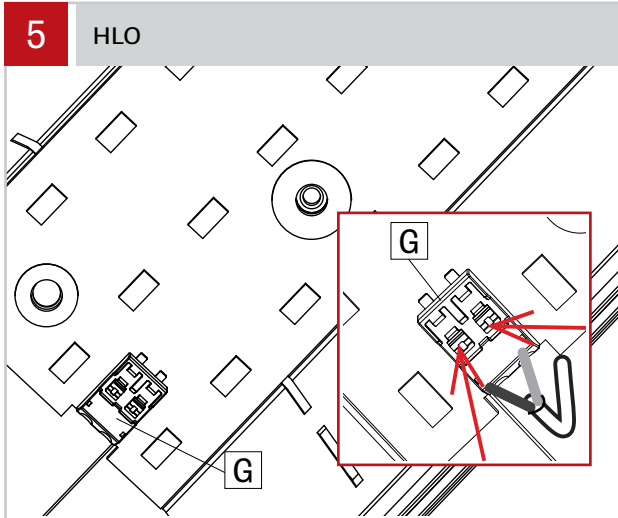
CONTINUOUS SYSTEM

HLO



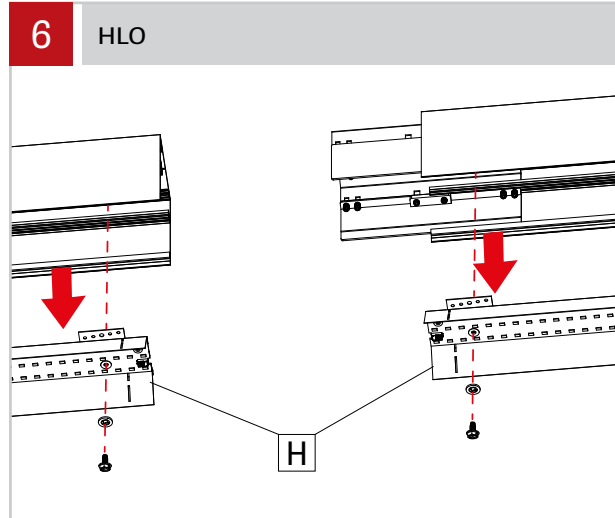
Remove the lenses (F) of all the fixtures in the run with the included lens tool.

5 HLO



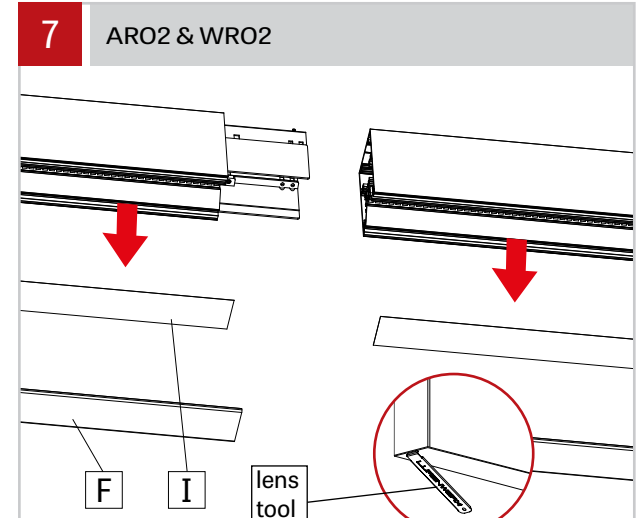
Disconnect LED mox connector (G) by taking a pointed object and pressing on the two tabs on the top.

6 HLO



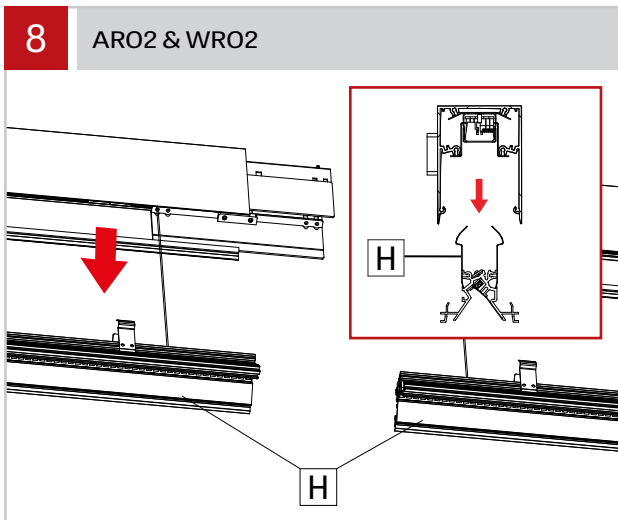
Remove all the end LED cartridges (H).

7 ARO2 & WRO2



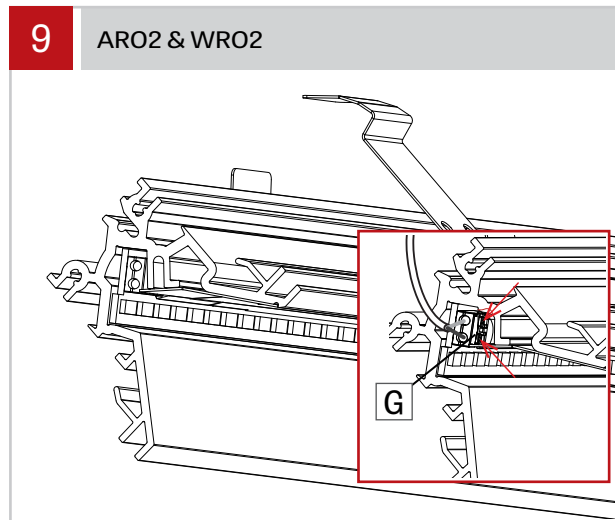
Remove the lens (F) with the included lens tool. Remove the overlay (I). Keep it in a safe place.

8 ARO2 & WRO2



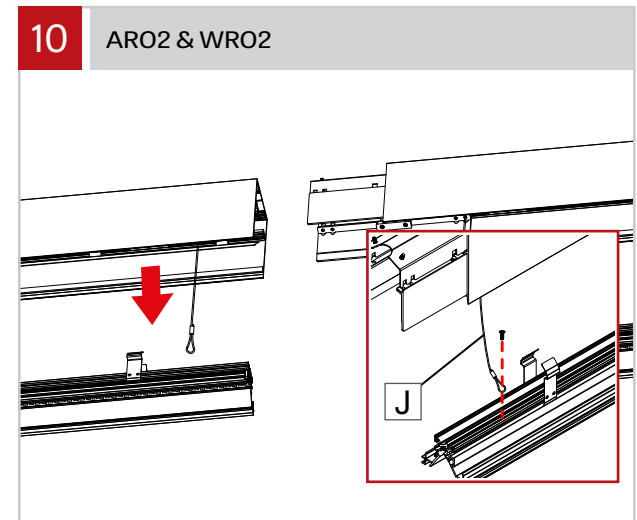
Pull down the cartridges (H).

9 ARO2 & WRO2



Disconnect LED mox connector (G) by taking a pointed object and pressing on the two tabs on the top.

10 ARO2 & WRO2



Unscrew the safety cables (J) from the cartridges. Put the cartridges (H) in safe place.

VIA 3-4-5

WALL MOUNT DIRECT - INSTALLATION INSTRUCTIONS

11

SIDE VIEW

Locate wall bracket position for the second fixture using provided client drawing. Install mounting brackets (A) to wall. Align with structural stud (need double studs – distance between screws is 1.250"). Flat head Philips drive screw, nominal size #10, min. length 1.250".

12

Insert the first fixture bracket (D) into wall bracket (A), and secure in place with supplied screws (E).

13

Align both fixtures using aligners (K) and connect wires between joining fixtures using quick connectors (L).

14

Insert the second fixture bracket (D) into wall bracket (A), and secure in place with supplied screws (E). Do not overtighten.

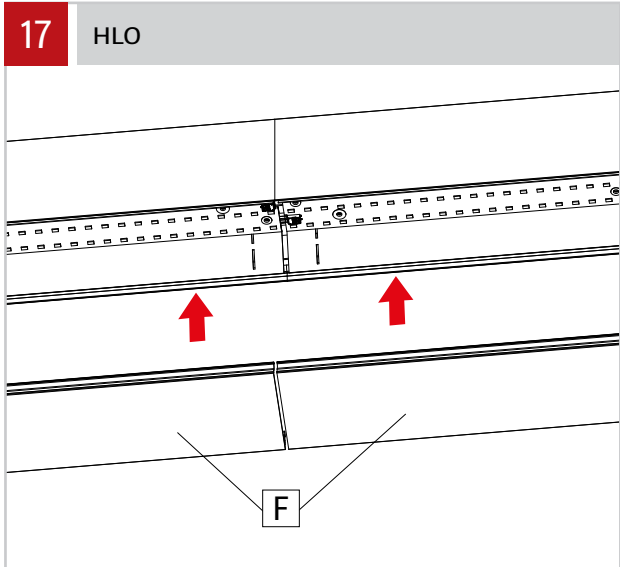
15

Secure the fixtures with supplied screws (M) (same for direct and direct/indirect fixture). Repeat steps 12 to 14 for all other fixture.

16 HLO

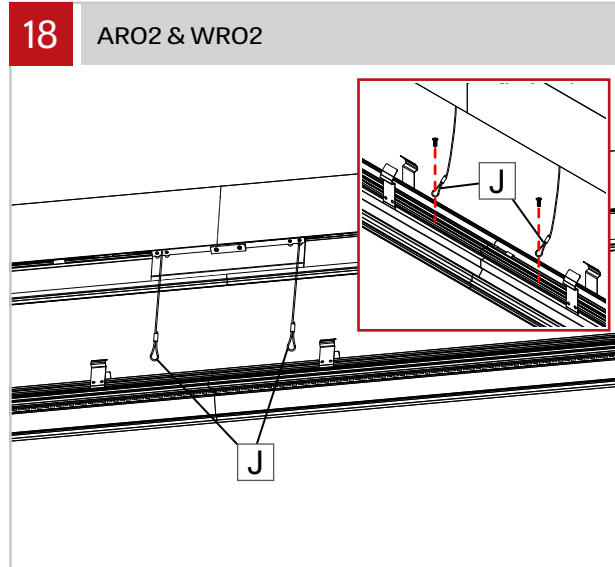
Reinstall the cartridge(s) (H) and reconnect the LED molex connector (G). **NOTE: connect the blue wire into negative (-) terminal and the red wire into (+) positive terminal.** Make sure that the wires are not hiding any LED diode. Screw the cartridge back in place by **using screw with plastic washer. Do not apply too much pressure.**

17 HLO



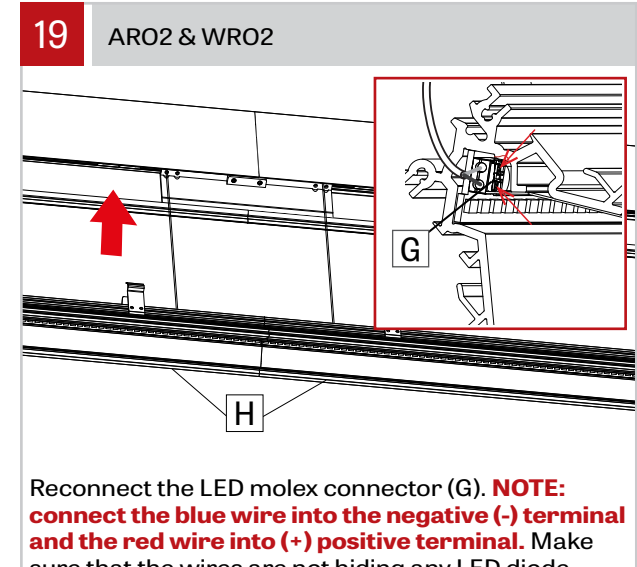
Put the lens (F) back in place.

18 ARO2 & WRO2



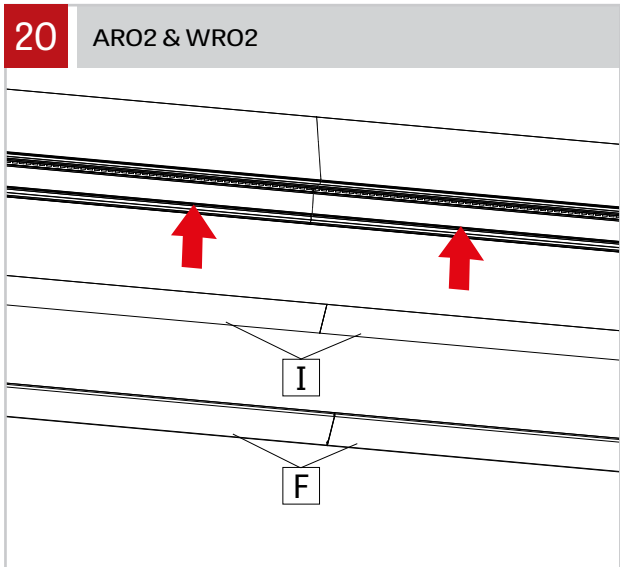
Rescrew the safety cables (J) to the cartridges.

19 ARO2 & WRO2



Reconnect the LED mox connector (G). **NOTE: connect the blue wire into the negative (-) terminal and the red wire into (+) positive terminal.** Make sure that the wires are not hiding any LED diode. Reinstall the cartridge (H) back in place.

20 ARO2 & WRO2



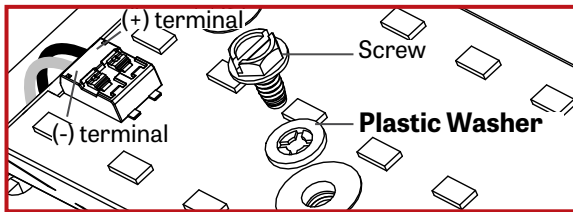
Reinstall the overlay (I) and the lens (F).

IMPORTANT: Installation instructions are shown with Via 4 and applies to Via 3-4-5

NOTE: Wire dimming conductors as Class 1



Reflector must be reinstalled with the screw and plastic washer that was originally supplied. If not, it can result in an electrical failure
Make sure to reconnect the wires to the LED boards correctly

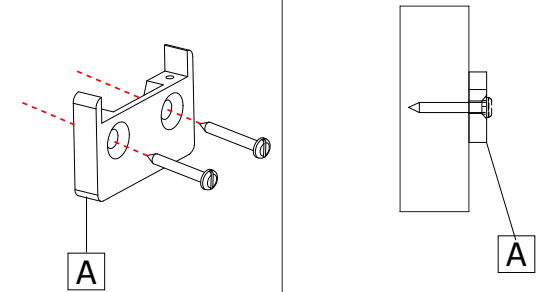


This product must be installed in accordance with the National Electrical Code and all applicable local codes, by a person familiar with the construction and operation of the product, and the hazards involved. proper grounding is required for safety.

Ce produit doit être installé suivant le code national de l'électricité, ainsi que tous les codes locaux applicables, par une personne familière avec la construction et le fonctionnement du produit, ainsi que tous les risques qui y sont associés. la mise à terre électrique est obligatoire pour la sécurité.

1

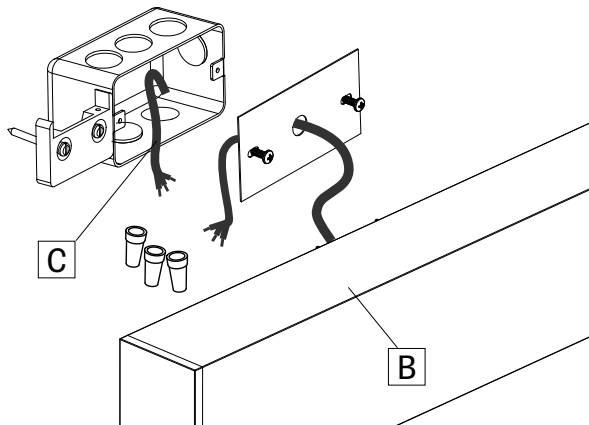
SINGLE FIXTURE



SIDE VIEW

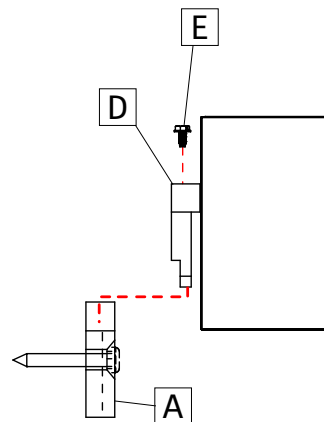
Locate wall bracket position using provided client drawing. Install mounting brackets (A) to wall. Align with structural stud (need double studs – distance between screws is 1.250"). Flat head Philips drive screw, nominal size #10, min. length 1.250".

2



Make wire connection between fixture (B) and wall power cable (C). Number of wires may vary.
Warning: Power must come from Single branch circuit

3

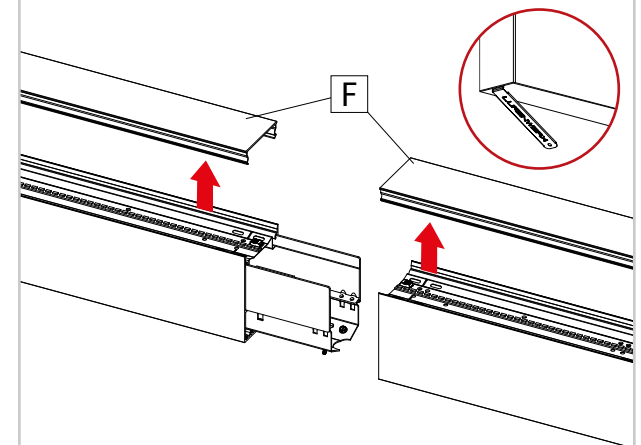


Insert fixture bracket (D) into wall bracket (A), and secure in place with supplied screws (E).

4

CONTINUOUS SYSTEM

HLO

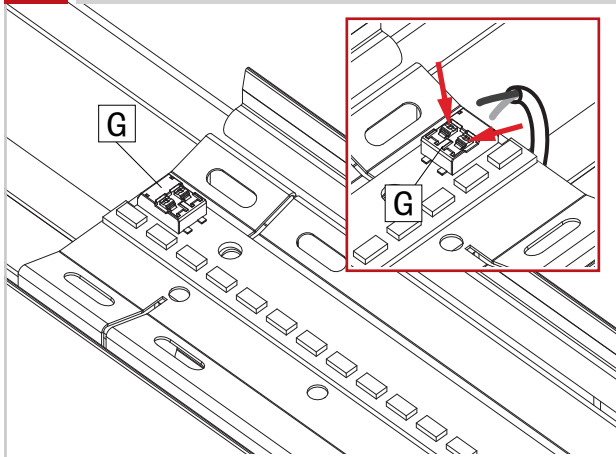


Remove the lenses (F) of all the fixtures in the run with the included lens tool.

VIA 3-4-5

WALL MOUNT INDIRECT - INSTALLATION INSTRUCTIONS

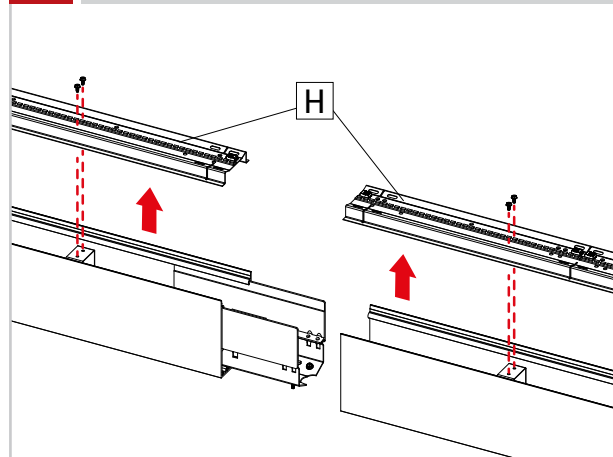
5 HLO



Disconnect LED mox connector (G) by taking a pointed object and pressing on the two tabs on the top.

Detailed description: This diagram shows a close-up of the LED mox connector (G) on the HLO fixture. A red box highlights the connector, and a red arrow points to the two tabs on top. An inset shows a pointed object being used to press down on these tabs to disconnect the connector.

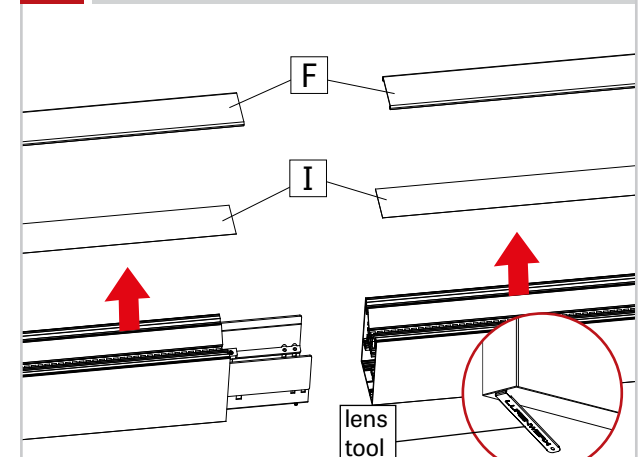
6 HLO



Remove all the end LED cartridges (H).

Detailed description: This diagram illustrates the removal of end LED cartridges (H) from the HLO fixture. Red arrows indicate the upward movement of the cartridges. A red dashed line shows the vertical alignment of the cartridge within the fixture.

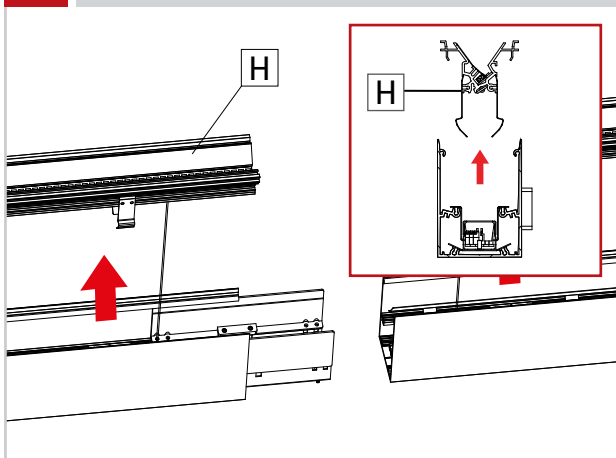
7 ARO2 & WRO2



Remove the lens (F) with the included lens tool. Remove the overlay (I). Keep it in a safe place.

Detailed description: This diagram shows the removal of the lens (F) and overlay (I) from the ARO2 & WRO2 fixture. Red arrows indicate the upward movement of the lens and overlay. A red circle highlights the lens tool being used to pry the lens out of the fixture.

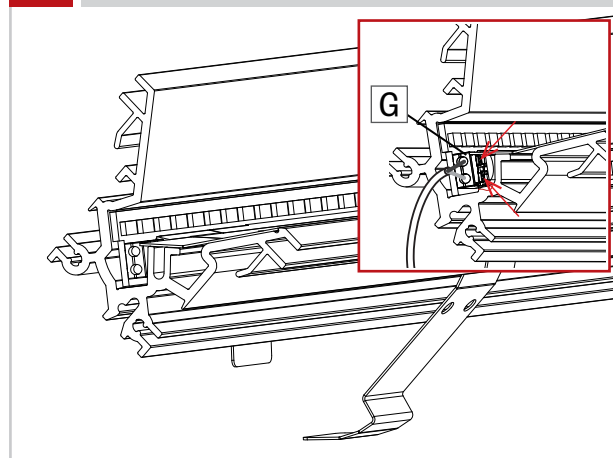
8 ARO2 & WRO2



Pull up the cartridges (H).

Detailed description: This diagram shows the cartridges (H) being pulled up from the ARO2 & WRO2 fixture. A red arrow indicates the upward movement. An inset shows a close-up of the cartridge being pulled up, with a red arrow pointing upwards.

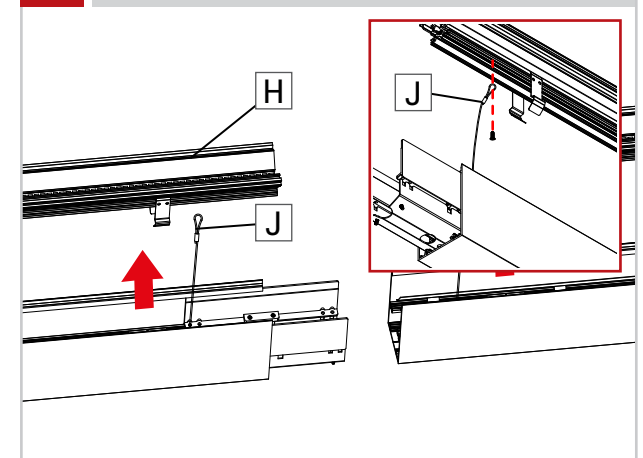
9 ARO2 & WRO2



Disconnect LED mox connector (G) by taking a pointed object and pressing on the two tabs on the top.

Detailed description: This diagram shows the LED mox connector (G) being disconnected from the ARO2 & WRO2 fixture. A red box highlights the connector, and a red arrow points to the two tabs on top. An inset shows a pointed object being used to press down on these tabs to disconnect the connector.

10 ARO2 & WRO2



Unscrew the safety cables (J) from the cartridges (H). Put the cartridges (H) in safe place.

Detailed description: This diagram shows the safety cables (J) being unscrewed from the cartridges (H) on the ARO2 & WRO2 fixture. Red arrows indicate the upward movement of the cartridges. A red box highlights the safety cable being unscrewed, and a red arrow points to the screw being removed.

VIA 3-4-5

WALL MOUNT INDIRECT - INSTALLATION INSTRUCTIONS

11

SIDE VIEW

Locate wall bracket position for the second fixture using provided client drawing. Install mounting brackets (A) to wall. Align with structural stud (need double studs – distance between screws is 1.250"). Flat head Philips drive screw, nominal size #10, min. length 1.250".

12

Insert the first fixture bracket (D) into wall bracket (A), and secure in place with supplied screws (E).

13

Align both fixtures using aligners (K) and connect wires between joining fixtures using quick connectors (L).

14

Insert the second fixture bracket (D) into wall bracket (A), and secure in place with supplied screws (E). Do not overtighten.

15

Secure the fixtures with supplied screws (M) (same for direct and direct/indirect fixture). Repeat steps 12 to 14 for all other fixture.

16 HLO

Reinstall the cartridge(s) (H) and reconnect the LED molex connector (G). **NOTE: connect the blue wire into negative (-) terminal and the red wire into (+) positive terminal.** Make sure that the wires are not hiding any LED diode. Screw the cartridge back in place by **using screw with plastic washer. Do not apply too much pressure.**

17 HLO

Put the lens (F) back in place.

18 ARO2 & WRO2

Rescrew the safety cables (J) to the cartridges.

19 ARO2 & WRO2

Reconnect the LED molex connector (G). **NOTE: connect the blue wire into the negative (-) terminal and the red wire into (+) positive terminal.** Make sure that the wires are not hiding any LED diode. Reinstall the cartridge (H) back in place.

20 ARO2 & WRO2

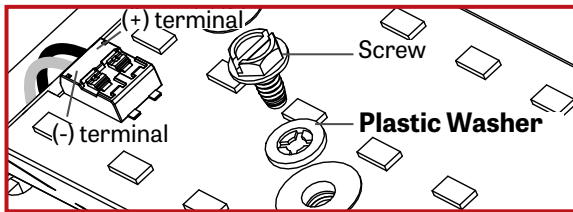
Reinstall the overlay (I) and the lens (F).

IMPORTANT: Installation instructions are shown with Via 4 and applies to Via 3-4

NOTE: Wire dimming conductors as Class 1



Reflector must be reinstalled with the screw and plastic washer that was originally supplied. If not, it can result in an electrical failure
Make sure to reconnect the wires to the LED boards correctly

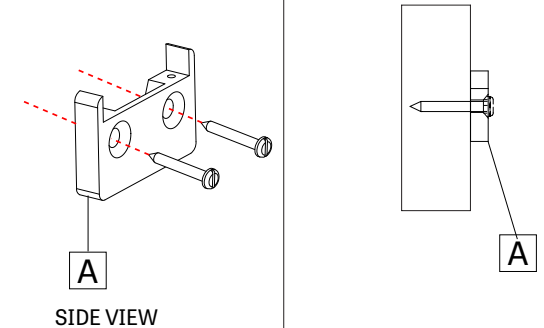


This product must be installed in accordance with the National Electrical Code and all applicable local codes, by a person familiar with the construction and operation of the product, and the hazards involved. proper grounding is required for safety.

Ce produit doit être installé suivant le code national de l'électricité, ainsi que tous les codes locaux applicables, par une personne familière avec la construction et le fonctionnement du produit, ainsi que tous les risques qui y sont associés. la mise à terre électrique est obligatoire pour la sécurité.

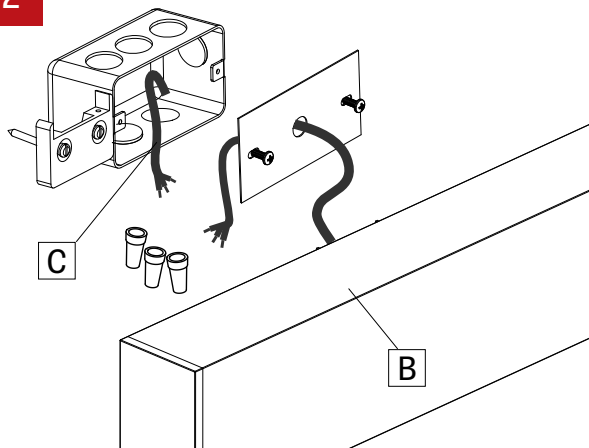
1

SINGLE FIXTURE



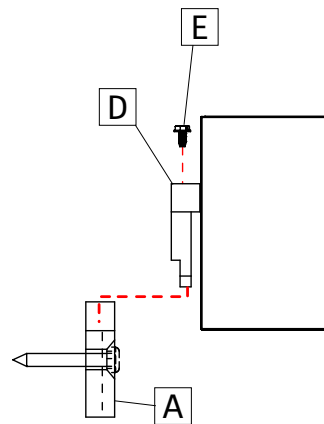
Locate wall bracket position using provided client drawing. Install mounting brackets (A) to wall. Align with structural stud (need double studs – distance between screws is 1.250"). Flat head Phillips drive screw, nominal size #10, min. length 1.250".

2



Make wire connection between fixture (B) and wall power cable (C). Number of wires may vary.
Warning : Power must come from Single branch circuit

3

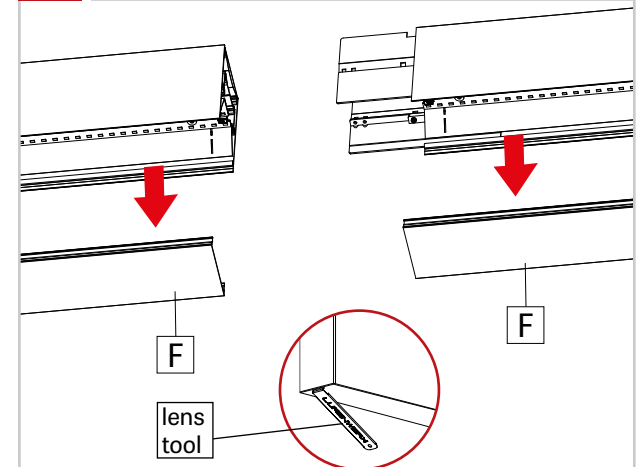


Insert fixture bracket (D) into wall bracket (A), and secure in place with supplied screws (E).

4

CONTINUOUS SYSTEM

HLO



Remove the lenses (F) of all the fixtures in the run with the included lens tool.

5 HLO

Disconnect LED mox connector (G) by taking a pointed object and pressing on the two tabs on the top.

6 HLO

Remove all the end LED cartridges (H).

7 ARO2 & WRO2

Remove the lens (F) with the included lens tool. Remove the overlay (I). Keep it in a safe place.

8 ARO2 & WRO2

Pull down the cartridges (H).

9 ARO2 & WRO2

Disconnect LED mox connector (G) by taking a pointed object and pressing on the two tabs on the top.

10 ARO2 & WRO2

Unscrew the safety cables (J) from the cartridges. Put the cartridges (H) in safe place.

VIA 3-4

WALL MOUNT DIRECT / INDIRECT - INSTALLATION INSTRUCTIONS

11

SIDE VIEW

Locate wall bracket position for the second fixture using provided client drawing. Install mounting brackets (A) to wall. Align with structural stud (need double studs – distance between screws is 1.250"). Flat head Philips drive screw, nominal size #10, min. length 1.250".

12

Insert the first fixture bracket (D) into wall bracket (A), and secure in place with supplied screws (E).

13

Align both fixtures using aligners (K) and connect wires between joining fixtures using quick connectors (L).

14

Insert the second fixture bracket (D) into wall bracket (A), and secure in place with supplied screws (E). Do not overtighten.

15 VIA3 JOINING SYSTEM

Secure the fixtures with supplied screws (M). Repeat steps 12 to 14 for all other fixture.

16 VIA4 JOINING SYSTEM

Secure the fixtures with supplied screws (MM). Repeat steps 12 to 14 for all other fixture.

VIA 3-4

WALL MOUNT DIRECT / INDIRECT - INSTALLATION INSTRUCTIONS

17 HLO

Reinstall the cartridge(s) (H) and reconnect the LED mox connector (G). **NOTE: connect the blue wire into negative (-) terminal and the red wire into (+) positive terminal.** Make sure that the wires are not hiding any LED diode. Screw the cartridge back in place by **using screw with plastic washer. Do not apply too much pressure.**

18 HLO

Put the lens (F) back in place.

19 ARO2 & WRO2

Rescrew the safety cables (J) to the cartridges.

20 ARO2 & WRO2

Reconnect the LED mox connector (G). **NOTE: connect the blue wire into the negative (-) terminal and the red wire into (+) positive terminal.** Make sure that the wires are not hiding any LED diode. Reinstall the cartridge (H) back in place.

21 ARO2 & WRO2

Reinstall the overlay (I) and the lens (F).