

# VIA 3 SEAL PERIMETER

# LUMENWERX

RECESSED  
CHROMAWERX - SOLA AND DUO



Project: \_\_\_\_\_

Type: \_\_\_\_\_

VIA WEATHER SERIES



## DESCRIPTION

Sealed with silicone gaskets, Via Seal fixtures are intended for wet locations. They can act alone as discrete luminaires, or be arranged in continuous lines or patterns. Via 3 Seal Perimeter is suitable for wet locations where temperatures are moderate, and in which spaces are regularly wiped down and frequently in contact with debris and/or moisture. The fixture can be used to create continuous, unbroken lines of light. Via 3 Seal Perimeter is also offered as Wet Listed certified by ETL (Electrical Testing Laboratories), in which case, it is able to withstand smaller particles of debris and light water infiltration. Via 3 Seal Perimeter Wet Listed can also be used to create continuous lines of light, but with subtle breaks at 12-foot increments. See separate spec sheets for patterns.



## Order Guide

IC RATED

LUMINAIRE ID	DISTRIBUTION	ENVIRONMENT <sup>1</sup>	OPTIC	LIGHT SOURCE <sup>4</sup>
	<b>D</b>		<b>EPDO</b>	
<b>V3SEALPERL</b> - Via 3 Seal Perimeter Level <b>V3SEALPERS</b> - Via 3 Seal Perimeter Shallow <b>V3SEALPERD</b> - Via 3 Seal Perimeter Deep	<b>D</b> - Direct	<b>WET</b> <sup>2</sup> - Wet Suitable (IP44) <b>WETL</b> <sup>2, 3</sup> - Wet Listed (IP54)  <sup>1</sup> See page 3 for more information. <sup>2</sup> Suitable for outdoor environments only when installed under canopy. Not suitable for extreme weather environments. Consult factory for low temperature applications. <sup>3</sup> Can be slightly exposed to water. A minimal shadow line visible at every 12'.	<b>EPDO</b> - Environmentally Protected Direct Optic	<b>SOLA</b> - Dim-to-warm single channel control 35K to 22K <b>DUO</b> - Tunable white 2-channel control 65K to 27K  <sup>4</sup> Static white, BIOS, and full spectrum also available. Consult other spec sheet.

CRI	LUMEN PACKAGE	LUMINAIRE LENGTH	VOLTAGE	DRIVER <sup>6</sup>	ELECTRICAL
					<b>1C</b>
<b>80</b> - 80 CRI <b>90</b> - 90 CRI	<b>500</b> - Low output 500 lm/ft <b>750</b> - Medium output 750 lm/ft <b>1000</b> - High output 1000 lm/ft	<b>#FT#IN</b> <sup>5</sup> - Specify nominal length (#) in 1' and/or 1" increments  <b>Standard nominal lengths:</b> Single units: 2' - 12' Continuous runs: lengths over 12'  <sup>5</sup> Minimum 2'.	<b>120</b> - 120V <b>277</b> - 277V <b>UNV</b> - 120V-277V	<b>SOLA</b> <b>SDI</b> - Single 0-10V input <b>DUO</b> <b>DMX</b> <sup>7, 8</sup> - DMX <b>DA</b> <sup>8</sup> - DALI DT6 <b>DDA8</b> <sup>8</sup> - DALI DT8 <b>DD1</b> - Dual 0-10V input for CCT/intensity <b>PSQO</b> <sup>8</sup> - Lutron T-Series 1% Tunable White  <sup>6</sup> PoE (Power-over-Ethernet) compatible. Consult factory for details. <sup>7</sup> For more information, see pages 8 to 13. <sup>8</sup> On-site commissioning is required.	<b>1C</b> - 1 circuit

MOUNTING	FINISH	POWER FEED	OPTIONS
<b>TG9</b> - Tegular 9/16" <b>TG15</b> - Tegular 15/16" <b>TB9</b> - T-bar 9/16" <b>TB15</b> - T-bar 15/16" <b>ST</b> - Screw slot T-bar <b>DTR</b> - Drywall trim <b>DTL</b> - Drywall trimless <b>DMF</b> - Drywall mud flange	<b>W</b> - Matte white <b>AL</b> - Aluminum <b>WA</b> - White antimicrobial Silverwerx	<b>TF</b> - Top feed <b>EF</b> - End feed	<b>NEF</b> <sup>9</sup> - No end flanges <b>NATA</b> - Natatorium finish <b>CRF</b> - Corrosion-resistant finish <b>GGK</b> - Grid gasket <b>NA</b> - None  <sup>9</sup> For wall-to-wall installations.

## Accessories

Optional, order separately

### DMX WALL CONTROLLER <sup>10</sup>

**WCW** - Wall controller white  
**WBW** - Wall controller black

<sup>10</sup> Available with DMX only. For more information, see pages 8 to 13, or consult factory.

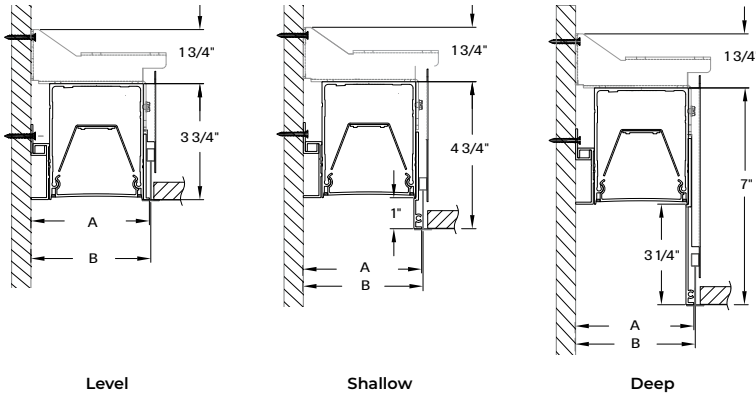
# VIA 3 SEAL PERIMETER LUMENWERX

RECESSED  
CHROMAWERX - SOLA AND DUO

## VIA WEATHER SERIES

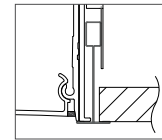
### Dimensions

#### GRID

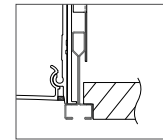


T-BAR	FIXTURE WIDTH	TO CENTER OF T-BAR
	A	B

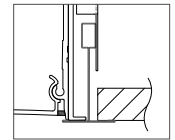
TB9/TC9	3 27/32"	3 7/8"
TB15/TG15	3 15/16"	4"
ST	3 27/32"	3 7/8"



**TB9** - T-bar 9/16  
**TC9** - Tegular 9/16"



**ST** - Screw slot T-bar



**TB15** - T-bar 15/16  
**TG15** - Tegular 15/16"

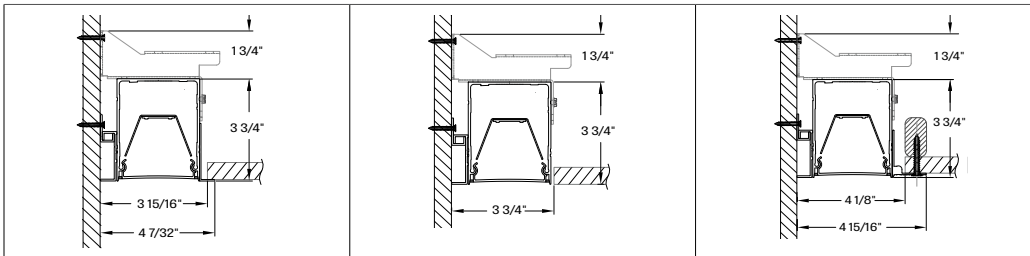
### DRYWALL

**DTR** - Drywall trim

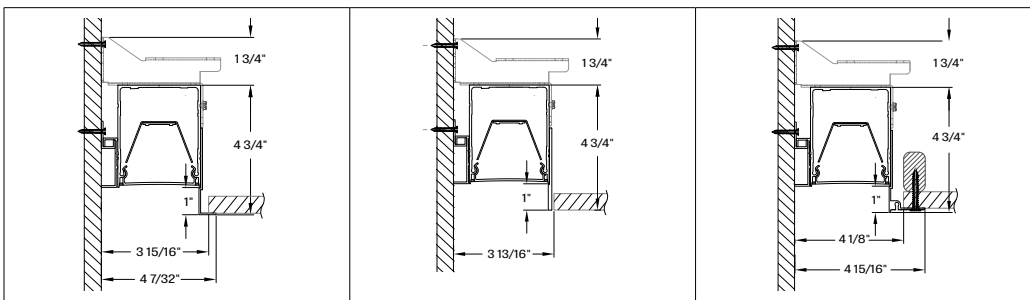
**DTL** - Drywall trimless

**DMF** - Drywall mud flange

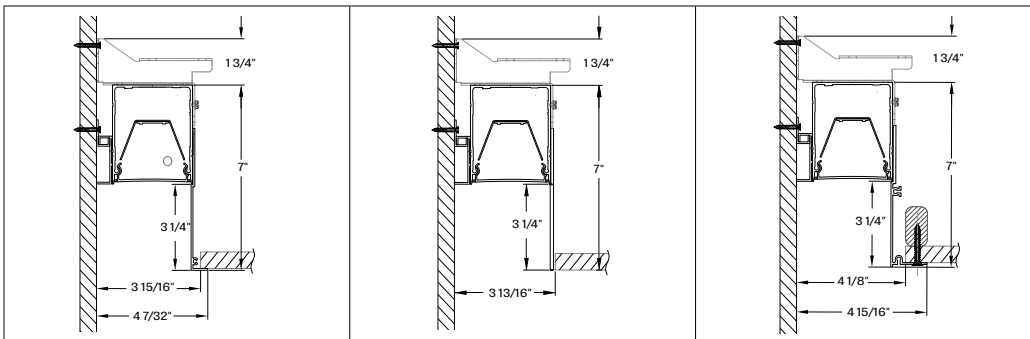
Level



Shallow



Deep



TECHZONE™ & USG Compatible with 4" ceiling

3737 Cote Vertu St-Laurent, Quebec, Canada H4R 2C9  
T (514) 225-4304 F (514) 931-4862  
[www.lumenwerx.com](http://www.lumenwerx.com)



Lumenwerx reserves the right to modify product specifications without notification.  
© Lumenwerx, ULC. All rights reserved.  
VIA3SEALPER-RECESSED-TW-SPEC-REV1



# VIA 3 SEAL PERIMETER **LUMENWERX**

RECESSED

CHROMAWERX - SOLA AND DUO



VIA WEATHER SERIES

## Environment Options

The Via Weather Series family offers four levels of protective sealing: Level 1, Level 2, Level 3, and Level 4.

Via 3 Seal Perimeter is available with two environment options: Wet Suitable (WET) at Level 1, and Wet Listed (WETL) at Level 2.

For other levels of protective sealing, please see Via Seal spec sheets for Level 1 and Level 2, Via Wet spec sheets for Level 3, and Via Splash spec sheets for Level 4.

FEATURES	 <b>Wet Suitable (IP44) (WET)</b>	 <b>Wet Listed (IP54) (WETL)</b>
Indoor application that requires wipe down	•	•
Healthcare application	•	•
Outdoor application with restrictions: under canopy only	•	•
Outdoor application with restrictions: under canopy, slightly exposed	X	•
Continuous line of light over 12 ft	•	X
Water and dust resistant	•	•
Water and dust protected	X	•
Not suitable for extreme weather applications	•	•
Damp listed	•	X
Wet listed	X	•

# VIA 3 SEAL PERIMETER

# LUMENWERX

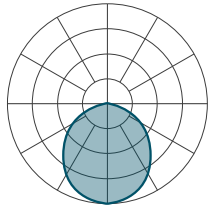
RECESSED

CHROMAWERX - SOLA AND DUO

VIA WEATHER SERIES

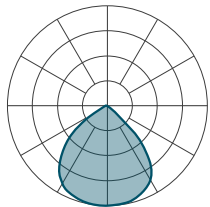
## Photometrics

Level - EPDO - Delivered Lumens at 40K at 80 CRI



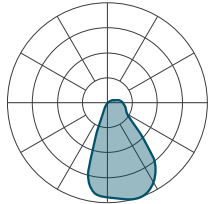
LUMENS PER FOOT	TOTAL LUMENS PER 4FT	INPUT WATTS	LPW
500	2000	19.8	101
750	3000	30.7	98
1000	4000	42.3	94

Shallow - EPDO - Delivered Lumens at 40K at 80 CRI



LUMENS PER FOOT	TOTAL LUMENS PER 4FT	INPUT WATTS	LPW
500	2000	20.6	97
750	3000	32.1	93
1000	4000	44.2	90

Deep - EPDO - Delivered Lumens at 40K at 80 CRI



LUMENS PER FOOT	TOTAL LUMENS PER 4FT	INPUT WATTS	LPW
500	2000	21.2	94
750	3000	33	91
1000	4000	45.5	88

# VIA 3 SEAL PERIMETER LUMENWERX

RECESSED

CHROMAWERX - SOLA AND DUO

VIA WEATHER SERIES

## Technical Specifications

### OPTIC

#### Environmentally Protected Direct Optic (EPDO)

The Environmentally Protected Direct Optic creates a seal that blocks debris and moisture, and withstands UV distortion and moderate impact. This extruded snap-in lens has a gasket to ensure proper sealing. The lens is 1/16" thick and made of frosted polycarbonate. Internally, white, side kicking reflectors guide the light through the lens. The EPDO suits moderate climate environments.

### LIGHT SOURCE

Custom linear array of alternating color temperature mid-flux LEDs are mounted directly to the housing for optimal thermal performance. For the Duo products, a color temperature range from 6500K-2700K is achievable with color points on or below the black body curve. For the Sola products, a color temperature range from 3500K-2200K is controlled synchronously with intensity. Color consistency between fixtures is maintained to within 3 SDCM. LEDs are operated at reduced drive current to optimize efficacy and lumen maintenance.

All LEDs have been tested in accordance with IESNA LM-80-08 and the results have shown L80 lumen maintenance greater than 60,000 hours. Absolute product photometry is measured and presented in accordance with IESNA LM-79, unless otherwise indicated.

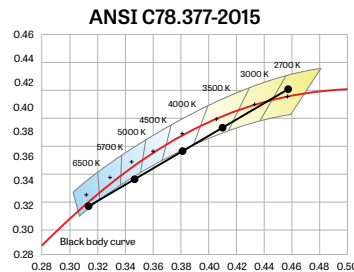
### CHROMAWERX - TUNABLE WHITE

#### Chromawerx Sola

It is a single-channel control that dims output while warming the color temperature in a pre-determined relationship. A simple analog control sends a common signal to dual output digital drivers, which are programmed to adjust a specially populated LED array to emulate the effect of dimming a filament source. Dimming range is programmable but the default option runs from 3500K at 100% of full power to 2200K at 5% of full power. CRI is maintained above 80 throughout the dimming range.

#### Chromawerx Duo

It is a two-channel control. It uses an analog (0-10V) protocol for separate control of luminaire CCT and intensity or a digital (DMX, DALI and PSQ0) protocol for synchronous control of both warm and cool LED arrays to enable the user to set color temperature and light output. Commonly called "tunable white", Chromawerx two-channel control provides the range of cool (6500K) to warm (2700K) color that can be useful for helping to entrain circadian rhythms, stimulate alertness for improved educational and work productivity, and compensate for jet lag, among other applications. The Chromawerx drivers are programmed to limit maximum light output and power usage across all color temperatures. CRI is maintained above 80.



**WELL for Light** - The WELL building standard focuses on light quality in several features. There are three categories that are fully attributed to the construction and features of a luminaire. In WELL V1, it's Feature 54 Circadian Lighting, Feature 55 Glare Control, and Feature 58 Color Quality. In WELL V2, it's Feature L03 Circadian Lighting, Feature L04 Glare Control, and Feature L07 Electric Light Quality.

This fixture meets Features:

- Feature 54 or L03 when Duo is selected
- Feature 55 or L04 meets WELL glare category (c-d) (not applicable with 1000 lm/ft)
- Feature 58 or L07 when 90CRI is selected

All LED drivers used at Lumenwerx are deemed to have a low risk level of flicker, of 5% or less below 90Hz operational as defined by IEEE standard 1789-2015 LED.



**WELL for Mind** - This luminaire meets WELL for mind as it is a human centric luminaire offering quality light, excellent color, and smooth optics. If any of these features are incorporated in a luminaire, it can improve the ability to focus, concentrate, and persist longer on a given task. This fixture harmoniously operates in a space to assist the mind.

For more information, please contact [well@lumenwerx.com](mailto:well@lumenwerx.com)

### LUMINAIRE LENGTH

Via 3 Seal Perimeter is available in standard lengths of 2' to 12'. Continuous runs are available for run lengths over 12'. Exact run length must be noted in the product code. The minimum length is 2' and can be ordered in 1' and/or 1" increments. All individual sections are joined together onsite using the joiner kits provided. Lumenwerx joiner kits are extremely simple to work with in the field and result in a fixture that appears virtually seamless with no light leak at any connection.

# VIA 3 SEAL PERIMETER LUMENWERX

## RECESSED

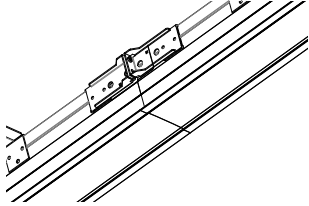
CHROMAWERX - SOLA AND DUO

### VIA WEATHER SERIES

#### JOINING SYSTEM

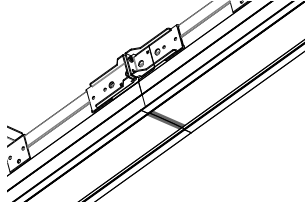
All individual sections are joined together onsite using the ¼"-20 screws and nuts provided. With the Wet Suitable (WET) option, the junction between two adjacent sections creates a continuous line of light without shadows. With the Wet Listed (WETL) option, the junction between two adjacent sections is sealed with a silicone gasket, creating a slight visible break in the line of light every 12 ft.

#### Wet Suitable - WET



Continuous line of light

#### Wet Listed - WETL



Visible break in line of light

#### LUMINAIRE MAINTENANCE

LED arrays and drivers are accessible through the optical chamber and easily replaced.

#### ELECTRICAL

##### SOLA

##### SDI

Factory-set, adjustable output current LED driver with universal (120-277VAC) input. Using a single 0-10V control signal, the light output warms in color temperature as it dims down to 1% and 2200K. At maximum driver load, efficiency<86%, PF>0.9, THD<20%.

##### DUO

##### DMX

Factory-set adjustable output current electronic driver with 120-277V AC line input. Using DMX wall controls (optionally supplied by Lumenwerx) or an existing DMX control system, both channels of LEDs are independently adjustable. Each DMX driver can be independently addressed using the built-in RDM (Remote Device Management) in the field. Dimming down to 1% is attainable. Rated life (90% survivorship) of 50,000 hours at 50°C maximum ambient temperature. At maximum driver load, efficiency<84%, PF>0.9, THD<20%.

##### DALI

Factory-set adjustable output current electronic driver with 120-277V AC line input. Using an existing DALI control system (supplied by others), one control channel adjusts the fixture color temperature, and the other control channel adjusts fixture brightness. With DALI Type 6, two DALI addresses are required to control both channels. With DALI Type 8, one DALI address is required to control both channels. Dimming down to 1% is attainable. Rated life (90% survivorship) of 50,000 hours at 50°C maximum ambient temperature. At maximum driver load, efficiency<84%, PF>0.9, THD<20%.

#### DDI

Factory-set adjustable output current LED driver with universal (120-277VAC) input. Controlled via two individual 0-10V signals, one for setting light output down to a minimum of 1% and the other for adjusting the CCT (default range of 6500K-2700K). Rated life of 50,000 hours at 70°C maximum driver case temperature and 100% load conditions. Typical efficiency of 86%, PF>0.9, THD<20% at 100% load conditions.

#### PSQO

Lutron T-Series 2-Channel tunable white drivers enable high-performance human centric lighting (HCL) applications. Digital control of color temperature (CCT) and intensity are achieved when used with the ESN T-Series tunable white controller as a part of a Lutron Quantum System.

#### PoE

Depending on the PoE manufacturer selected, Lumenwerx will install the node in factory as either integral to the luminaire or as a remote module. Factory programming of the PoE node may or may not enable the following functionalities: lumen package, Duo (tunable white), emergency battery backup, and sensor integration. These must be addressed and evaluated on a case-by-case basis.

#### FINISH

**Interior** - 95%, reflective matte powder coated white paint

**Exterior** - Powder-coat paint in matte white or aluminum.

Optional antimicrobial finish.

#### CONSTRUCTION

**Housing** - Extruded aluminum (0.095" nominal) up to 90% recycled content

**Interior brackets** - Die-formed cold rolled sheet steel 18 gauge thick

**Joining system (WETL)** - 16 gauge steel joiners and closed-cell silicone foam joiner gasket

**Reflectors** - Cold rolled steel 0.024" thick precisely die-formed, 95% reflective matte white painted

**Recessed flanges** - Extruded aluminum (0.060" nominal) up to 90% recycled content

**Mud flange** - Extruded aluminum (0.060" nominal) up to 90% recycled content

**End cap** - Die-cast aluminum (0.100" nominal)

**End cap gasket** - 1/16" closed-cell silicone foam

**Mounting bracket** - 1/8" thick aluminum, stainless steel PEM stud, and steel and neoprene sealing washer

**Grid gasket (GGK option)** - 1/16" closed-cell silicone foam, assures a better seal between the fixture and the grid

#### WEIGHT

**Via 3 Seal Perimeter 4ft** - 12.8 lbs - 5.8 kg

**Via 3 Seal Perimeter 8ft** - 23.6 lbs - 10.7 kg

**Via 3 Seal Perimeter 12ft** - 34.4 lbs - 15.6 kg

# VIA 3 SEAL PERIMETER LUMENWERX

RECESSED

CHROMAWERX - SOLA AND DUO

VIA WEATHER SERIES

## CERTIFICATIONS

**ETL** - WET environment option is rated for dry/damp locations. WETL environment option is ETL Wet Listed. Conforms to UL Standard 1598 and certified to CAN/CSA Standard C22.2 No. 250.0. During the installation of WETL fixtures, the contractor is responsible for properly sealing all mounting and electrical connection points.

**IC rated** - Suitable for direct contact with insulation.

## WARRANTY

Lumenwerx provides a five-year limited warranty on electrical and mechanical performance of the luminaires, including the LED boards, drivers, and auxiliary electronics. Lumenwerx will repair or replace defective luminaires or components at our discretion, provided they have been installed and operated in accordance with our specifications. Other limitations apply, please refer to the full warranty on our website.

# VIA 3 SEAL PERIMETER LUMENWERX

RECESSED  
CHROMAWERX - SOLA AND DUO

VIA WEATHER SERIES

## DUO DMX SPECIFICATION

A qualified DMX integrator is required to assure proper installation and commissioning of the DMX network. **When placing the PO, please provide the contact information of your DMX integrator.**

Please answer the following questions to help us identify your DMX network requirements.

YES

Do you require a wall controller provided by Lumenwerx?

NO

DMX control system supplied by others. Lumenwerx will supply DMX-enabled fixtures with default DMX addressing. See following pages for technical DMX informations.

DMX controller supplied by Lumenwerx

**How many zones do you have?**  
A zone consists of one or more luminaires behaving identically.

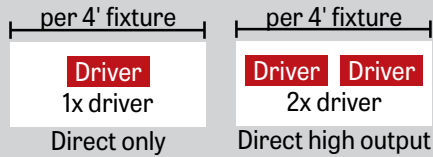


1 Zone



2 Zones

**How to calculate the required number of drivers:**



To Calculate # of drivers

1 - 4 Zones

5 or more Zones

Do you have more than 32 drivers in total?

NO

YES

Order a standard Lumenwerx wall controller.

### WALL CONTROLLER

**WCW** - wall controller white  
**WCB** - wall controller black

Add the control code at the end of your order code. Please provide a fixture layout or RCP (Reflected Ceiling Plan) showing the locations of the DMX fixtures, zones and the DMX wall controller. Refer to your DMX integrator for the installation.

Subject to factory evaluation. Please contact our controls specialist at [controls@lumenwerx.com](mailto:controls@lumenwerx.com). Additional cost and equipment will be required.

Subject to factory evaluation and approval. Please contact our controls specialist at [controls@lumenwerx.com](mailto:controls@lumenwerx.com). Additional cost and equipment will be required.



# VIA 3 SEAL PERIMETER

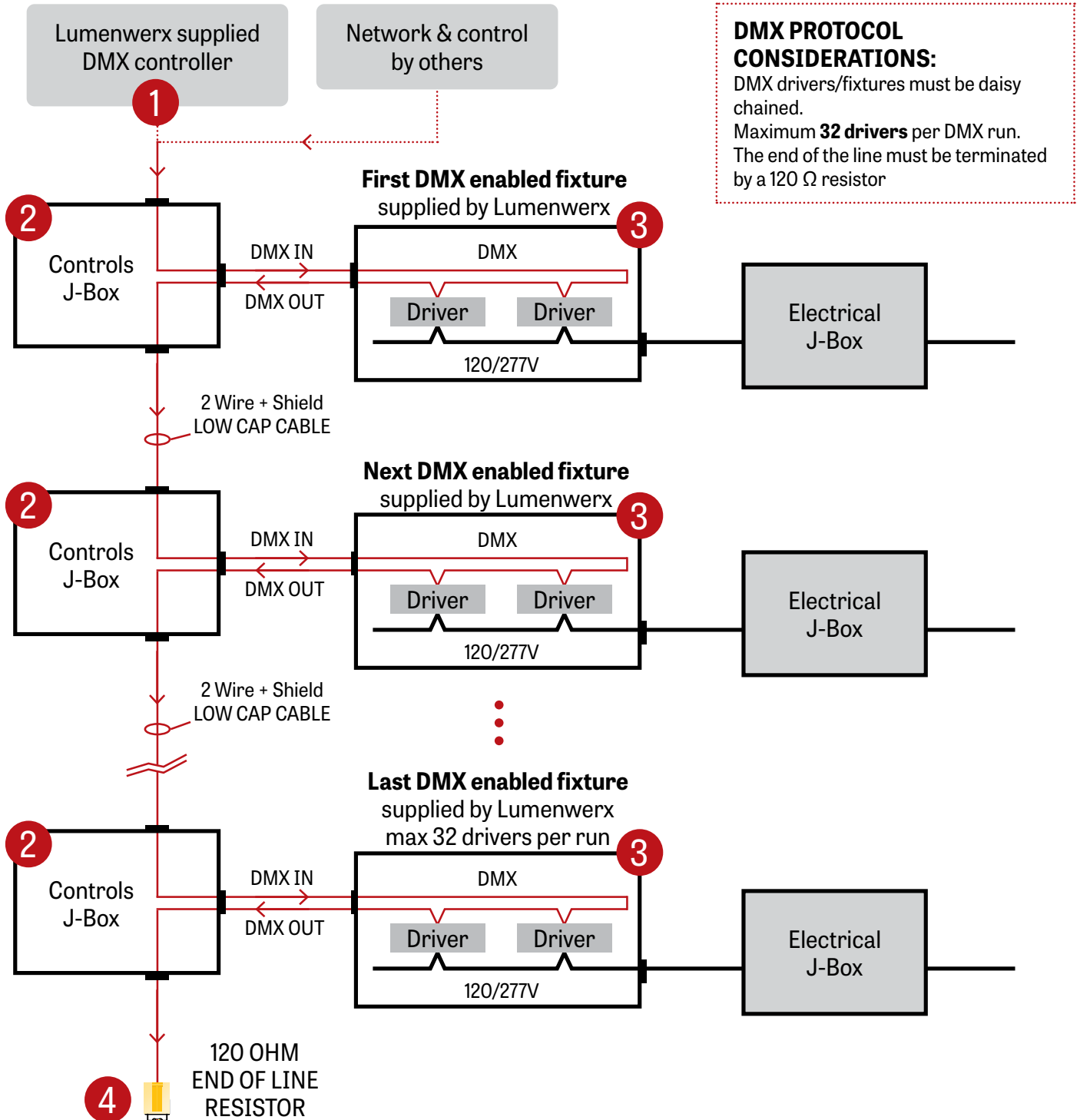
# LUMENWERX

RECESSED

CHROMAWERX - SOLA AND DUO

VIA WEATHER SERIES

## GENERIC DMX NETWORK ARCHITECTURE



# VIA 3 SEAL PERIMETER

# LUMENWERX

RECESSED

CHROMAWERX - SOLA AND DUO

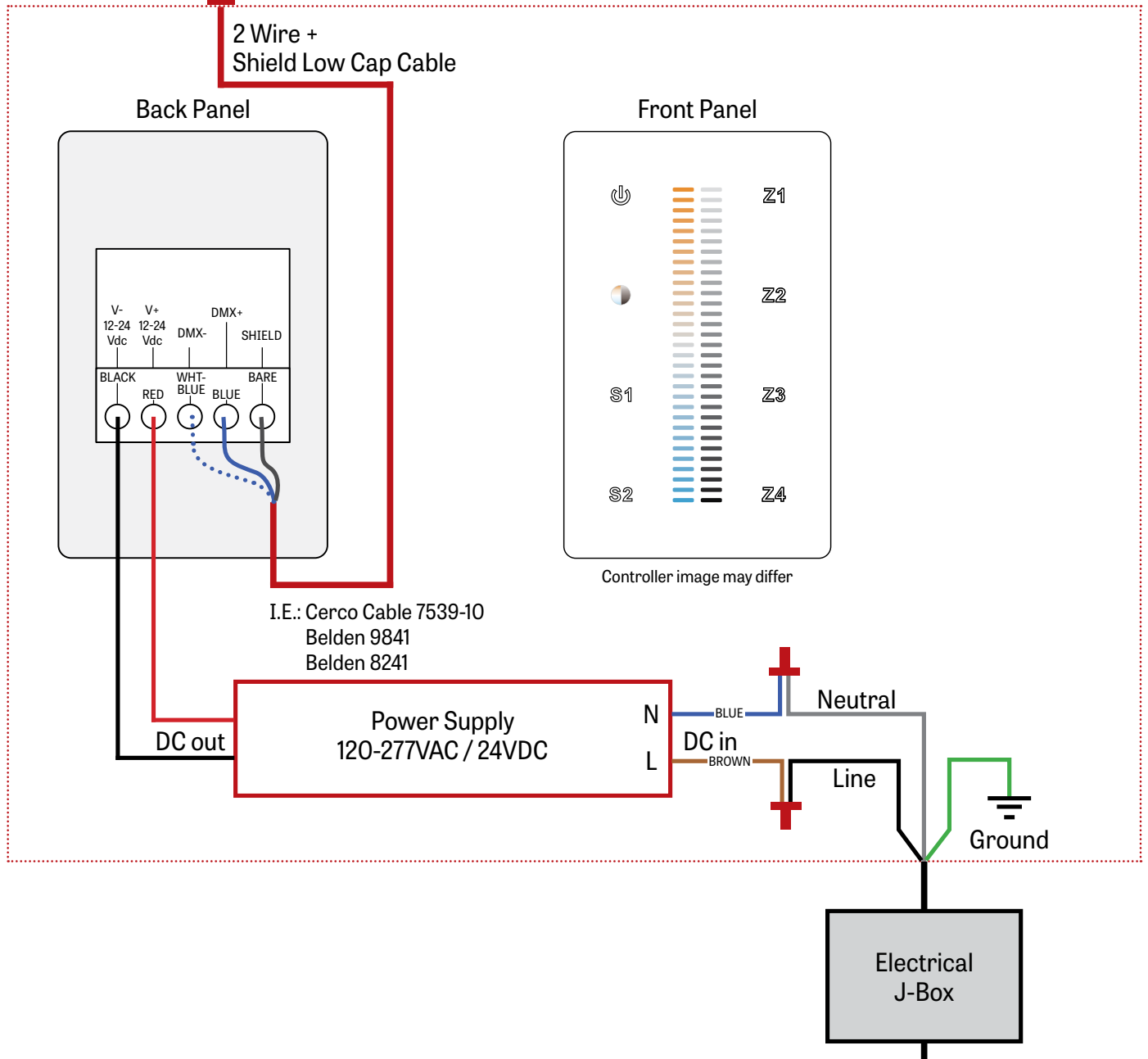
VIA WEATHER SERIES

## 1 LUMENWERX SUPPLIED DMX CONTROLLER

To the first fixture

2 Wire +  
Shield Low Cap Cable

WALL BOX SUPPLIED BY OTHERS

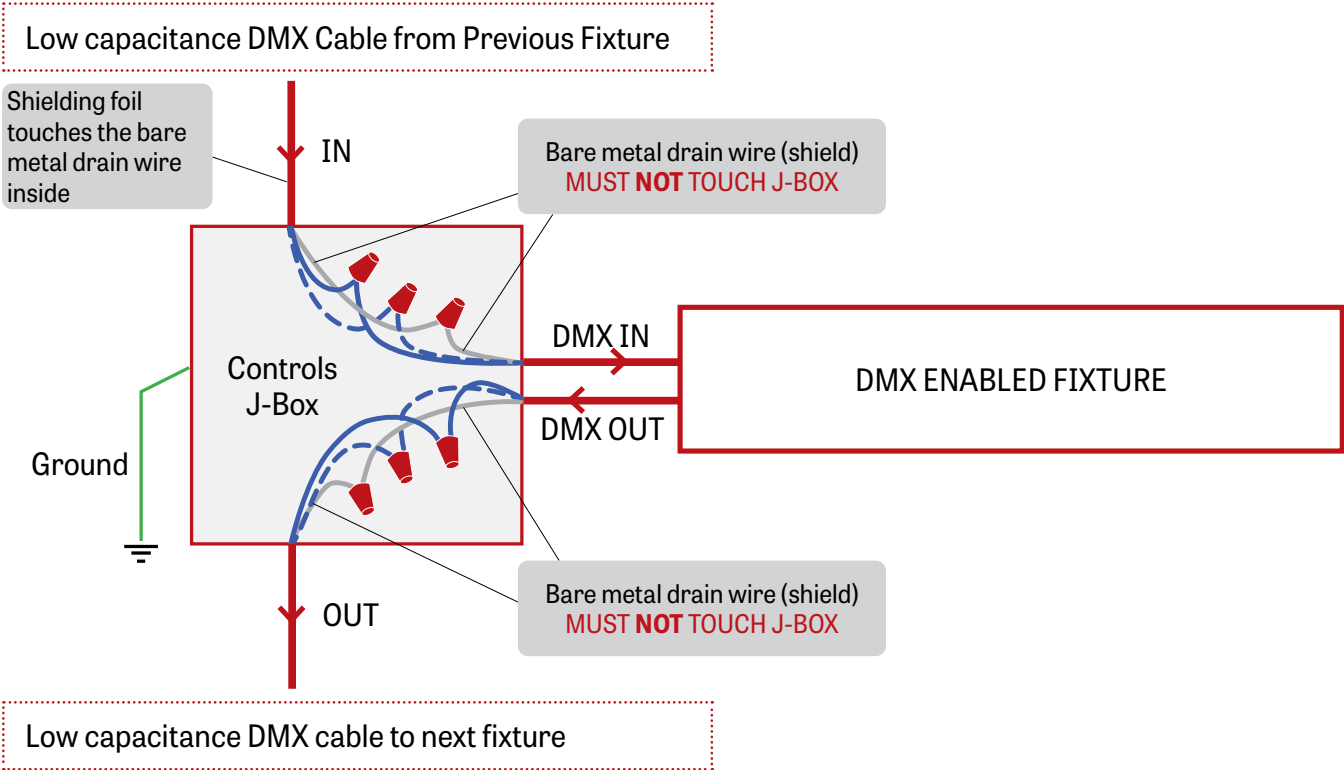


RECESSED

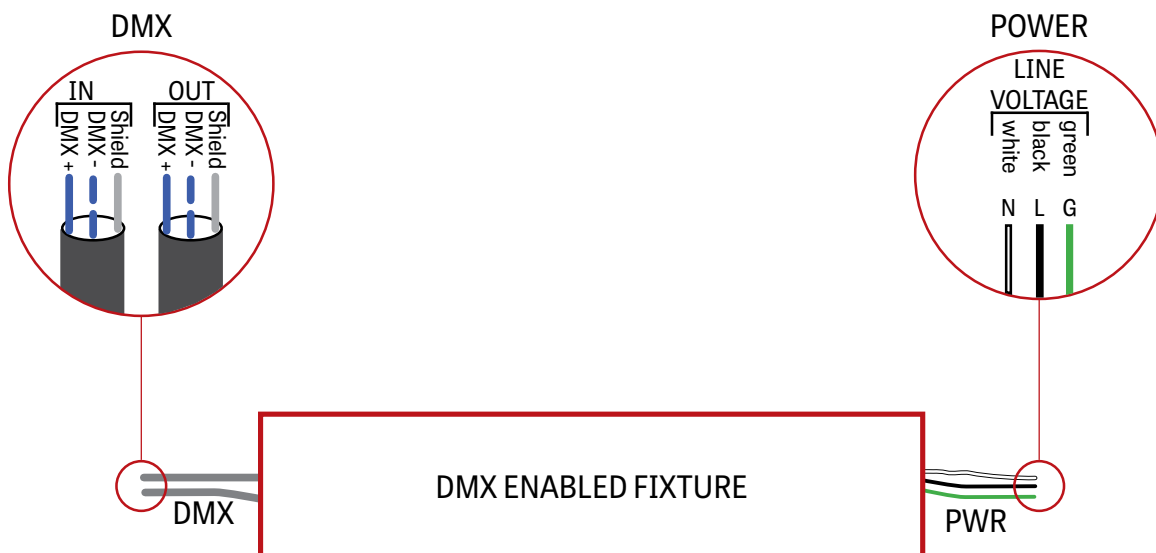
CHROMAWERX - SOLA AND DUO

VIA WEATHER SERIES

## 2 J-BOX DMX DAISY CHAIN DETAIL



## 3 DMX CONNECTION RECESSED & SURFACE



# VIA 3 SEAL PERIMETER

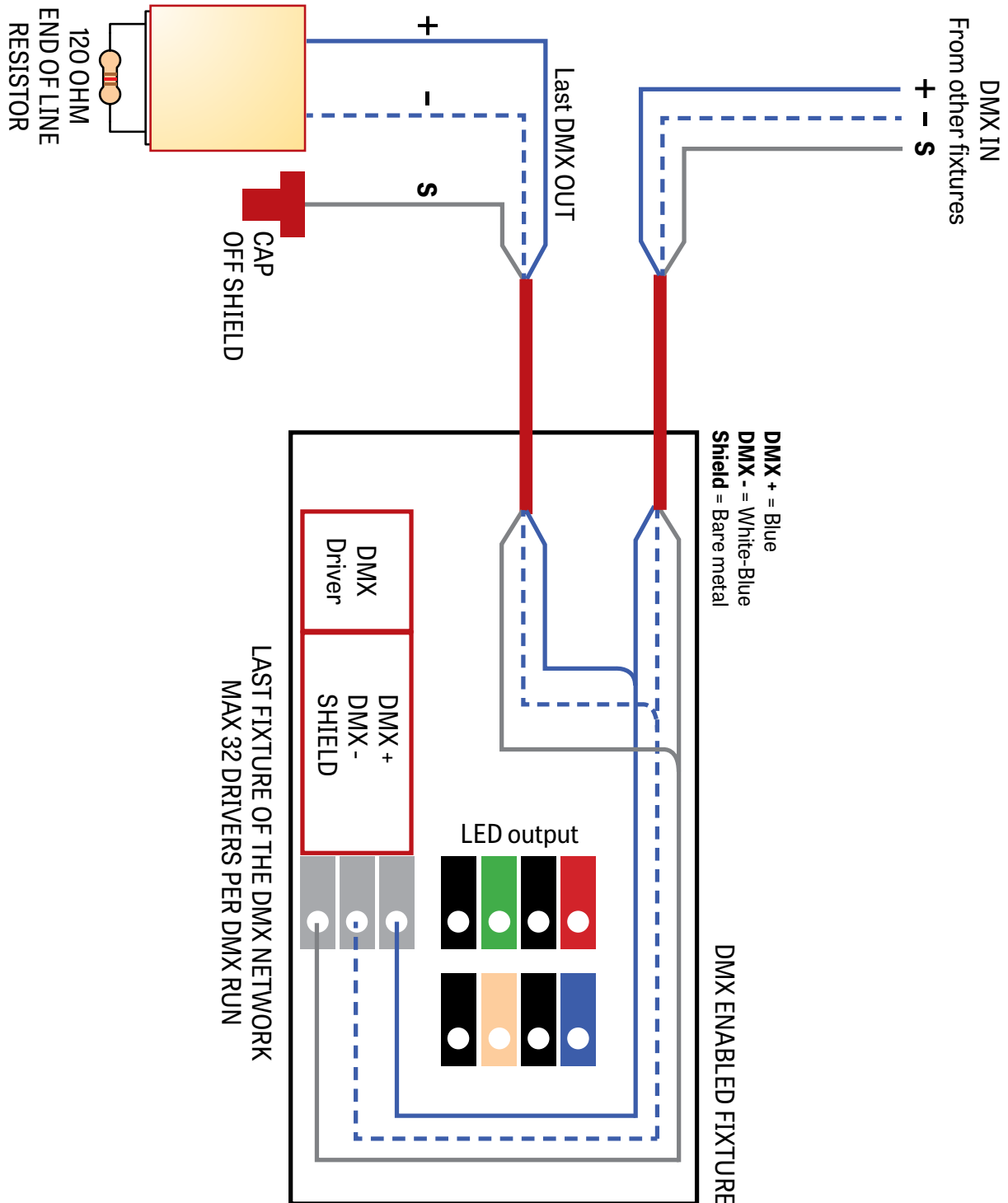
# LUMENWERX

RECESSED

CHROMAWERX - SOLA AND DUO

VIA WEATHER SERIES

## 4 DMX LAST FIXTURE DETAIL



# VIA 3 SEAL PERIMETER LUMENWERX

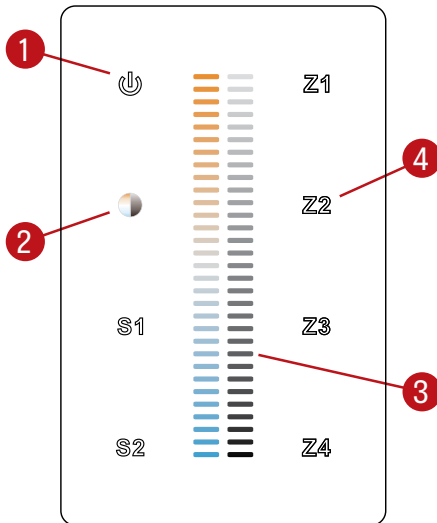
RECESSED

CHROMAWERX - SOLA AND DUO

VIA WEATHER SERIES

## DMX WALL CONTROLLER

### DUO 1-4 ZONE



- (1) Power: Use this button to turn ON or OFF the fixture.
- (2) Brightness/CCT: Use the color/brightness toggle button to choose between color/brightness. When Blue: brightness is selected, when Yellow: color is selected.
- (3) Slider: Depending on the mode chosen in step 2, the slider will allow the user to set desired color or brightness.
- (4) Zone select: Up to 4 zones can be selected either independently or together. Once selected, the commands will be sent to the zone identified by a Blue LED.

### Default DMX Addresses:

- 1 Warm
- 2 Cool