

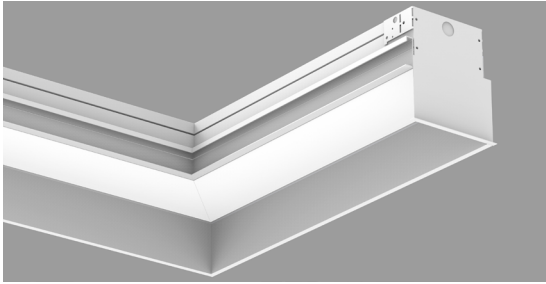
VIA 5 PERIMETER

RECESSED PATTERN
CHROMAWERX - SOLA, DUO



Project: _____

 Type: _____



Via 5 Perimeter Deep Pattern

DESCRIPTION

Via 5 Perimeter creates a continuously illuminated "slot" at the wall/ceiling intersection. Lighted corners with adjustable end sleeves are available. Via Perimeter installs in grid or drywall ceilings in a choice of three arrangements: level, shallow 1", and deep 3 1/4".

Declare.
IC RATED



Order Guide

A drawing of your pattern is required - anything from a line drawing to an architectural drawing.

| LUMINAIRE ID | OPTIC | LIGHT SOURCE ¹ | CRI | LUMEN PACKAGE |
|---|---|--|--|--|
| | HLO | | | |
| V5PERLPAT - Via 5 Perimeter Level Pattern V5PERSPAT - Via 5 Perimeter Shallow Pattern V5PERDPAT - Via 5 Perimeter Deep Pattern | HLO - High-Efficiency Lambertian Optic | SOLA - Dim-to-warm single channel control 35K to 22K DUO - Tunable white 2-channel control 65K to 27K | 80CRI - 80+ CRI 90CRI - 90+ CRI | 500LMF - Low output 500 lm/ft 750LMF - Medium output 750 lm/ft 1000LMF - High output 1000 lm/ft |

¹Static white and Chromawerx QUADRO also available. Consult other spec sheets.

| PATTERN LENGTH | CORNER TYPE ³ | VOLTAGE |
|---|---|--|
| <p>##FT##IN(##FT##IN-##FT##IN-...) ² - ##FT##IN: total nominal length of pattern in feet and/or inches #X: quantity of each section #FT##IN: nominal length of each section in feet and/or inches</p> <p>Continuous runs: lengths over 12' ² Minimum fixture length is 4'.</p> | <p>#LEVI2C(A##) - 2-way leveled inside corner #LEVO2C(A##) - 2-way leveled outside corner</p> <p>³Specify quantity (#) and angle (A##) for each required corner type. If more than one option is specified, separate codes with a "+", e.g. 1LEVI2C(A90)+2LEVO2C(A90). ⁴Minimum angle is 45°.</p> | <p>ANGLE (A##): (A90) - 90° (A##) ⁴ - Custom</p> <p>120V - 120V 277V - 277V UNV - 120V-277V</p> |

| DRIVER ⁵ | ELECTRICAL | MOUNTING | FINISH | OPTIONS ⁸ | ADJUSTABLE SLEEVE (optional) ¹¹ |
|--|------------|--|---|---|---|
| <p>SOLA SD1 - Single 0-10V input</p> <p>DUO DMX ^{6,7} - DMX DDA ⁷ - DALI DT6 DDA8 ⁷ - DALI DT8 DD1 - Dual 0-10V input for CCT/intensity LD2 ⁷ - Lutron DALI-2 digital</p> <p>⁵ PoE (Power-over-Ethernet) compatible. Consult factory for details. ⁶ For more information, see pages 8 to 13. ⁷ On-site commissioning is required.</p> | 1C | <p>TG9 - Tegular 9/16" TG15 - Tegular 15/16" TB9 - T-bar 9/16" TB15 - T-bar 15/16" ST - Screw slot T-bar DTR - Trim DTL - Trimless DMF - Drywall mud flange</p> | <p>W - Matte white CF# - Custom finish, specify RAL#</p> | <p>NEF ^{9,10} - No end flanges FEP ¹⁰ - Flush end plates FU120 - Fuse 120V FU277 - Fuse 277V FWC - Flexible whip cable (6' std) CP - Chicago Plenum NA - None</p> <p>⁸Separate codes with a "+" if more than one is specified. ⁹For wall-to-wall installations. ¹⁰See page 4 for details.</p> | <p>#TES - Adjustable end sleeve, specify quantity (#) #TMS ¹² - Adjustable mid sleeve, specify quantity (#) NA - None</p> <p>¹¹ See page 5 for details. ¹² Minimum 6' fixture. Maximum 1 sleeve per section.</p> |

Accessories

Optional, order separately

| WALL CONTROLLER ¹³ | |
|---|---|
| <p>DMX</p> <p>WCW##FT ¹⁴ - DMX wall controller white WCB##FT ¹⁴ - DMX wall controller black</p> | <p>DD1</p> <p>TWCW##FT ^{15,16} - Dual 0-10V wall controller white TWCB##FT ^{15,16} - Dual 0-10V wall controller black</p> |

¹³Specify wire length (##) in feet.
¹⁴Available with DMX only. For more information, see pages 8 to 13, or consult factory.
¹⁵Available with DD1 only. For more information, see page 14, or consult factory.
¹⁶Only available with 120V.

TECHZONE™ & USG Compatible with 6" ceiling

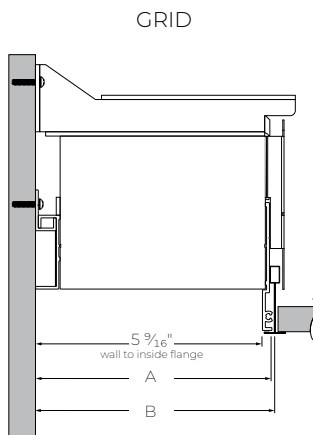
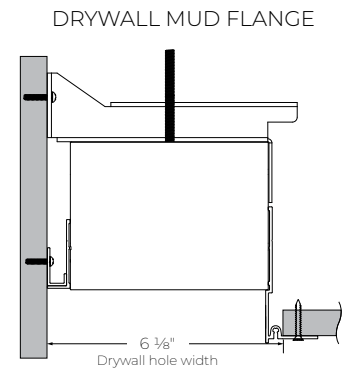
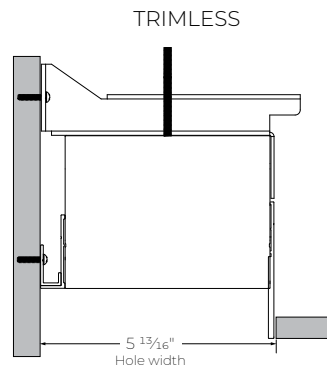
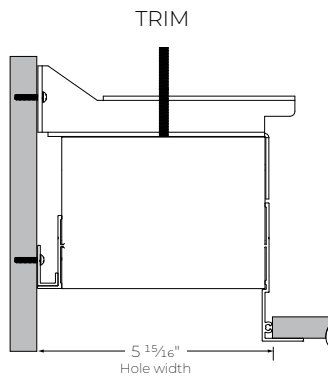
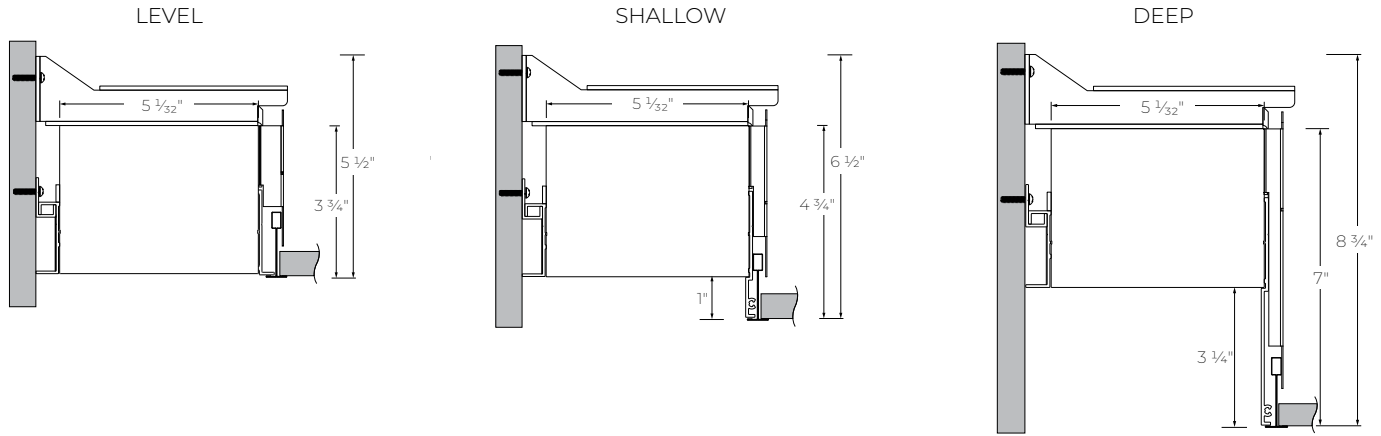


VIA 5 PERIMETER

RECESSED PATTERN
CHROMAWERX - SOLA, DUO



Dimensions



| | TC9 Tegular 9/16" | TB9 T-bar 9/16" | TG15 Tegular 15/16" | TB15 T-bar 15/16" | ST Screw slot T-bar |
|---------------------|--------------------------|------------------------|----------------------------|--------------------------|----------------------------|
| A wall to flange | 5 13/16" | | 5 15/16" | | 5 13/16" |
| B wall to T-bar | 5 7/8" | | 6" | | 5 7/8" |

VIA 5 PERIMETER

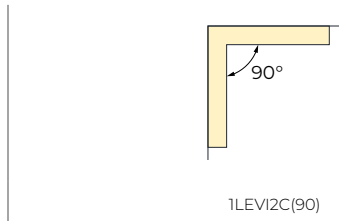
RECESSED PATTERN
CHROMAWERX - SOLA, DUO



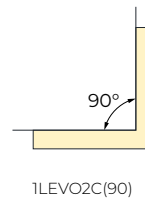
Pattern Layout

CORNER TYPES

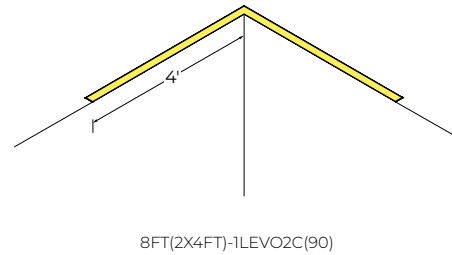
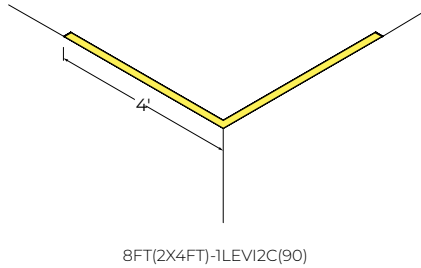
LEVELED INSIDE CORNER



LEVELED OUTSIDE CORNER

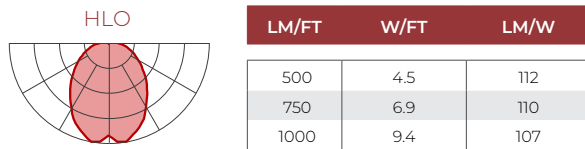


EXAMPLES



Photometrics

Values calculated based on a 4' fixture at 3500K.



MULTIPLIER TABLES

Use these tables to get results for different color temperatures.

SOLA

| CCT | WATTS | | LPW | |
|-------|-------------------|------|-------------------|--|
| | 80+ CRI / 90+ CRI | | 80+ CRI / 90+ CRI | |
| 3500K | 1.00 | 1.00 | | |

DUO

| CCT | WATTS | | LPW | |
|-------|-------------------|------|-------------------|--|
| | 80+ CRI / 90+ CRI | | 80+ CRI / 90+ CRI | |
| 2700K | 1.05 | 0.95 | | |
| 6500K | 1.00 | 1.00 | | |

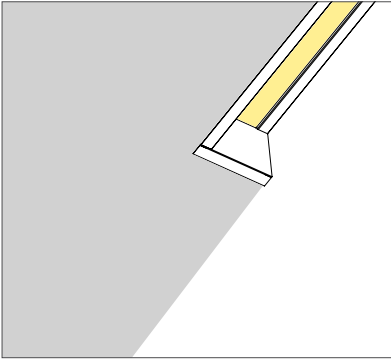
VIA 5 PERIMETER

RECESSED PATTERN
CHROMAWERX - SOLA, DUO

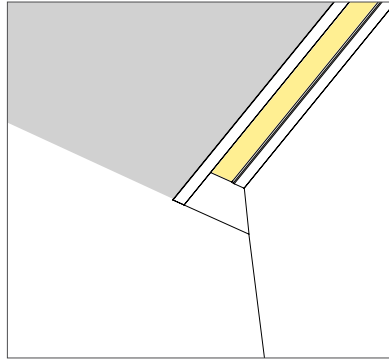


End Configurations

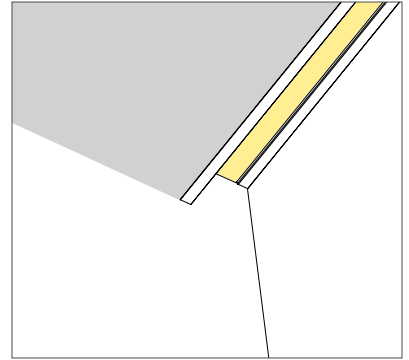
STANDARD



OPTIONS



NEF - No end flanges



FEP - Flush end plates

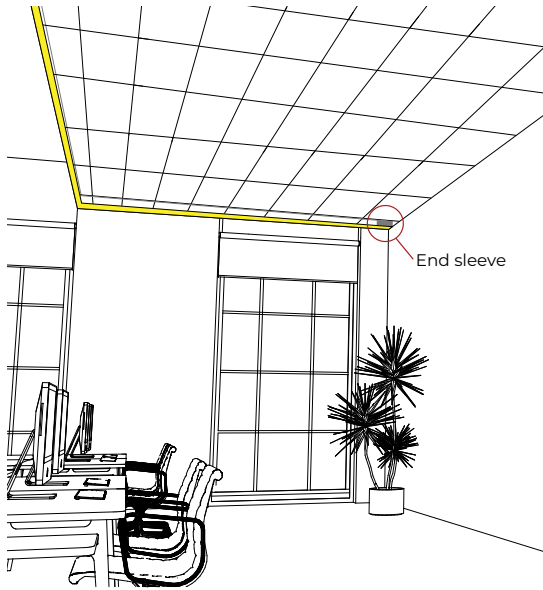
VIA 5 PERIMETER

RECESSED PATTERN
CHROMAWERX - SOLA, DUO

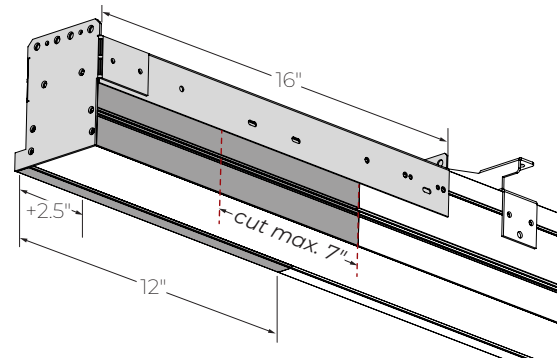
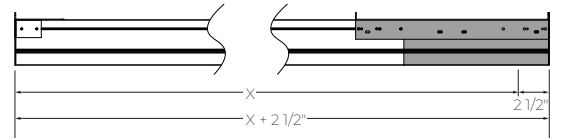


Adjustable End Sleeve - TES

Adjustable end sleeve (TES) is designed to provide on-site luminaire adjustability of +2.5" to -4.5". A sleeve accommodates an easy installation and maintenance. Please refer to the [End Sleeve Adjustment Installation Instructions](#) for more details.

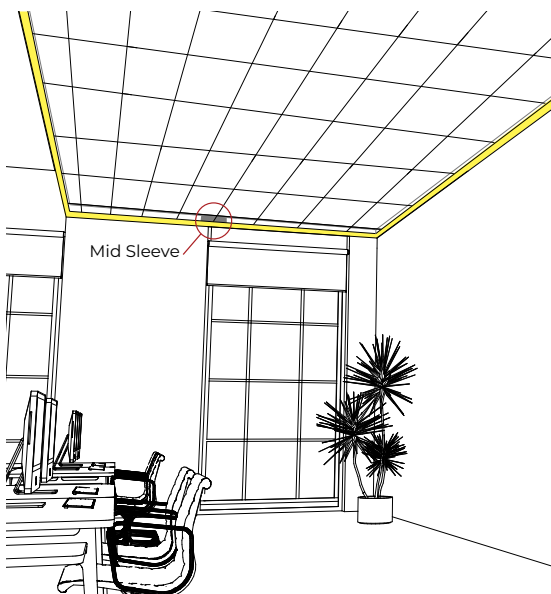


X = Fixture measure provided by client.
X + 2.5" = Measurement built and supplied.

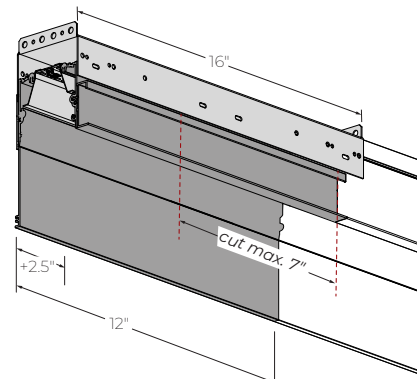
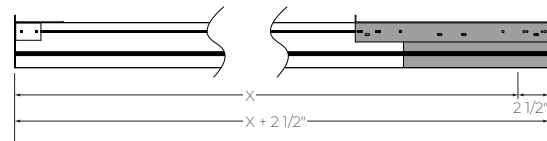


Adjustable Mid Sleeve - TMS

Adjustable mid sleeve (TMS) is designed to provide on-site luminaire adjustability of +2.5" to -4.5". A sleeve accommodates an easy installation and maintenance. Please refer to the [Mid Sleeve Adjustment Installation Instructions](#) for more details.



X = Fixture measure provided by client.
X + 2.5" = Measurement built and supplied.



VIA 5 PERIMETER

RECESSED PATTERN

CHROMAWERX - SOLA, DUO



Technical Specifications

OPTIC

High-Efficiency Lambertian Optic (HLO)

The High-Efficiency Lambertian Optic (HLO) uses matte white reflectors to distribute LED output across 0.075" acrylic shielding, providing up to 88% transmission and good obscuration. Luminaire brightness is controlled by the flux-to-shielding area ratio.

LIGHT SOURCE

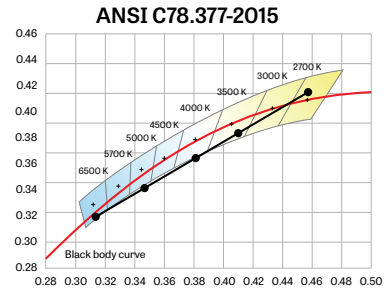
Custom linear array of alternating color temperature mid-flux LEDs are mounted directly to the housing for optimal thermal performance. For the DUO products, a color temperature range from 6500K-2700K is achievable with color points on or below the black body curve. For the SOLA products, a color temperature range from 3500K-2200K is controlled synchronously with intensity. Color consistency between fixtures is maintained to within 3 SDCM. LEDs operate at reduced drive current to optimize efficacy and lumen maintenance. All LEDs have been tested in accordance with IESNA LM-80-08 and the results have shown L80 lumen maintenance greater than 60,000 hours. Absolute product photometry is measured and presented in accordance with IESNA LM-79, unless otherwise indicated.

Chromawerx SOLA

It is a single-channel control that dims output while warming the color temperature in a pre-determined relationship. A simple analog control sends a common signal to dual output digital drivers, which are programmed to adjust a specially populated LED array to emulate the effect of dimming a filament source. Dimming range is programmable but the default option runs from 3500K at 100% of full power to 2200K at 5% of full power. CRI is maintained above 80 throughout the dimming range.

Chromawerx DUO

It is a two-channel control. It uses an analog (0-10V) protocol for separate control of luminaire CCT and intensity or a digital (DMX, DALI and LD2) protocol for synchronous control of both warm and cool LED arrays to enable the user to set color temperature and light output. Commonly called "tunable white", Chromawerx two-channel control provides the range of cool (6500K) to warm (2700K) color that can be useful for helping to entrain circadian rhythms, stimulate alertness for improved educational and work productivity, and compensate for jet lag, among other applications. The Chromawerx drivers are programmed to limit maximum light output and power usage across all color temperatures. CRI is maintained above 80. When paired with DALI drivers (DDA/DDA8), color tuning follows a linear dimming curve.



PATTERN LENGTH

All individual sections are joined together onsite using the joiner kits provided. Lumenwerx offers joiner kits that are extremely simple to work with in the field and result in a fixture that appears virtually seamless with no light leak at any connection.

ELECTRICAL

SOLA

SD1

Factory-set, adjustable output current LED driver with universal (120-277 VAC) input. Using a single 0-10V control signal, the light output warms in color temperature as it dims down to 1% and 2200K. At maximum driver load, efficiency<86%, PF>0.9, THD<20%.

DUO

DMX

Factory-set adjustable output current electronic driver with 120-277 VAC line input. Using DMX wall controls (optionally supplied by Lumenwerx) or an existing DMX control system, both channels of LEDs are independently adjustable. Each DMX driver can be independently addressed using the built-in RDM (Remote Device Management) in the field. Dimming down to 1% is attainable. Rated life (90% survivorship) of 50,000 hours at 50°C maximum ambient temperature. At maximum driver load, efficiency<84%, PF>0.9, THD<20%.

DALI

Factory-set adjustable output current electronic driver with 120-277 VAC line input. Using an existing DALI control system (supplied by others), one control channel adjusts the fixture color temperature, and the other control channel adjusts fixture brightness. With DALI Type 6, two DALI addresses are required to control both channels. With DALI Type 8, one DALI address is required to control both channels. Dimming down to 1% is attainable. Rated life (90% survivorship) of 50,000 hours at 50°C maximum ambient temperature. At maximum driver load, efficiency<84%, PF>0.9, THD<20%.

VIA 5 PERIMETER

RECESSED PATTERN

CHROMAWERX - SOLA, DUO



DD1

Factory-set adjustable output current LED driver with universal (120-277 VAC) input. Controlled via two individual 0-10V signals, one for setting light output down to a minimum of 1% and the other for adjusting the CCT (default range of 6500K-2700K). Rated life of 50,000 hours at 70°C maximum driver case temperature and 100% load conditions. Typical efficiency of 86%, PF>0.9, THD<20% at 100% load conditions.

LD2

Lutron DALI-2 digital drivers provide a high-performance tunable white solution with single-address digital control. Guaranteed performance and compatibility when used with Lutron DALI-2 controls.

PoE

Depending on the PoE manufacturer selected, Lumenwerx will install the node in factory as either integral to the luminaire or as a remote module. Factory programming of the PoE node may or may not enable the following functionalities: lumen package, DUO (tunable white), QUADRO (RGBW), emergency battery backup, and sensor integration. These must be addressed and evaluated on a case-by-case basis.

MOUNTING

Recessed fixtures can be mounted into exposed or concealed T-bar or tegular ceiling, as well as in ceilings with trim, trimless, or mud flange options.

FINISH

Interior: 95%, reflective matte powder coated white paint

Exterior: Matte white powder coating.

Custom finishes are also available.

CONSTRUCTION

Housing: Extruded aluminum, up to 90% recycled content

Interior brackets: Die-formed cold rolled sheet steel

Joining system: Die-cast zinc

Reflectors: Flat rolled aluminum sheet or die-formed cold rolled steel, 95% reflective matte white painted

Lens: Acrylic

Recessed flanges: Extruded aluminum, up to 90% recycled content

End plate: Die-formed cold rolled sheet steel

MAINTENANCE

LED boards are housed in a removable cartridge for easy replacement. Driver is accessible from below.

CERTIFICATIONS

ETL: Rated for indoor dry/damp locations. Conforms to UL Standard 1598 and certified to CAN/CSA Standard C22.2 No. 250.0.

Chicago Plenum: City of Chicago Approved (CCEA) when specified with CP option.

IC rated: Suitable for direct contact with insulation

Declare: [LBC Red List Approved](#)

WARRANTY

Lumenwerx provides a five-year limited warranty on electrical and mechanical performance of the luminaires, including the LED boards, drivers, and auxiliary electronics. Lumenwerx will repair or replace defective luminaires or components at our discretion, provided they have been installed and operated in accordance with our specifications. Other limitations apply, please refer to the full warranty on our website.

Wall controllers are covered by the manufacturer warranty.

VIA 5 PERIMETER

RECESSED PATTERN
CHROMAWERX - SOLA, DUO



DUO DMX SPECIFICATION

A qualified DMX integrator is required to assure proper installation and commissioning of the DMX network. **When placing the PO, please provide the contact information of your DMX integrator.**

Please answer the following questions to help us identify your DMX network requirements.

YES

Do you require a wall controller provided by Lumenwerx?

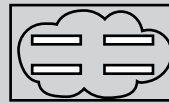
NO

DMX control system supplied by others. Lumenwerx will supply DMX-enabled fixtures with default DMX addressing. See following pages for technical DMX informations. ✓

DMX controller supplied by Lumenwerx

How many zones do you have?

A zone consists of one or more luminaires behaving identically.



1 Zone



2 Zones

How to calculate the required number of drivers:

per 4' fixture

Driver

1x driver

Direct only

per 4' fixture

Driver

Driver

2x driver

Direct high output

To Calculate # of drivers

NO

YES

Do you have more than 32 drivers in total?

Order a standard Lumenwerx wall controller.

WALL CONTROLLER

WCW - wall controller white

WCB - wall controller black

Add the control code at the end of your order code.

Please provide a fixture layout or RCP (Reflected Ceiling Plan) showing the locations of the DMX fixtures, zones and the DMX wall controller.

Refer to your DMX integrator for the installation. ✓

Subject to factory evaluation. Please contact our controls specialist at controls@lumenwerx.com. Additional cost and equipment will be required. ✓

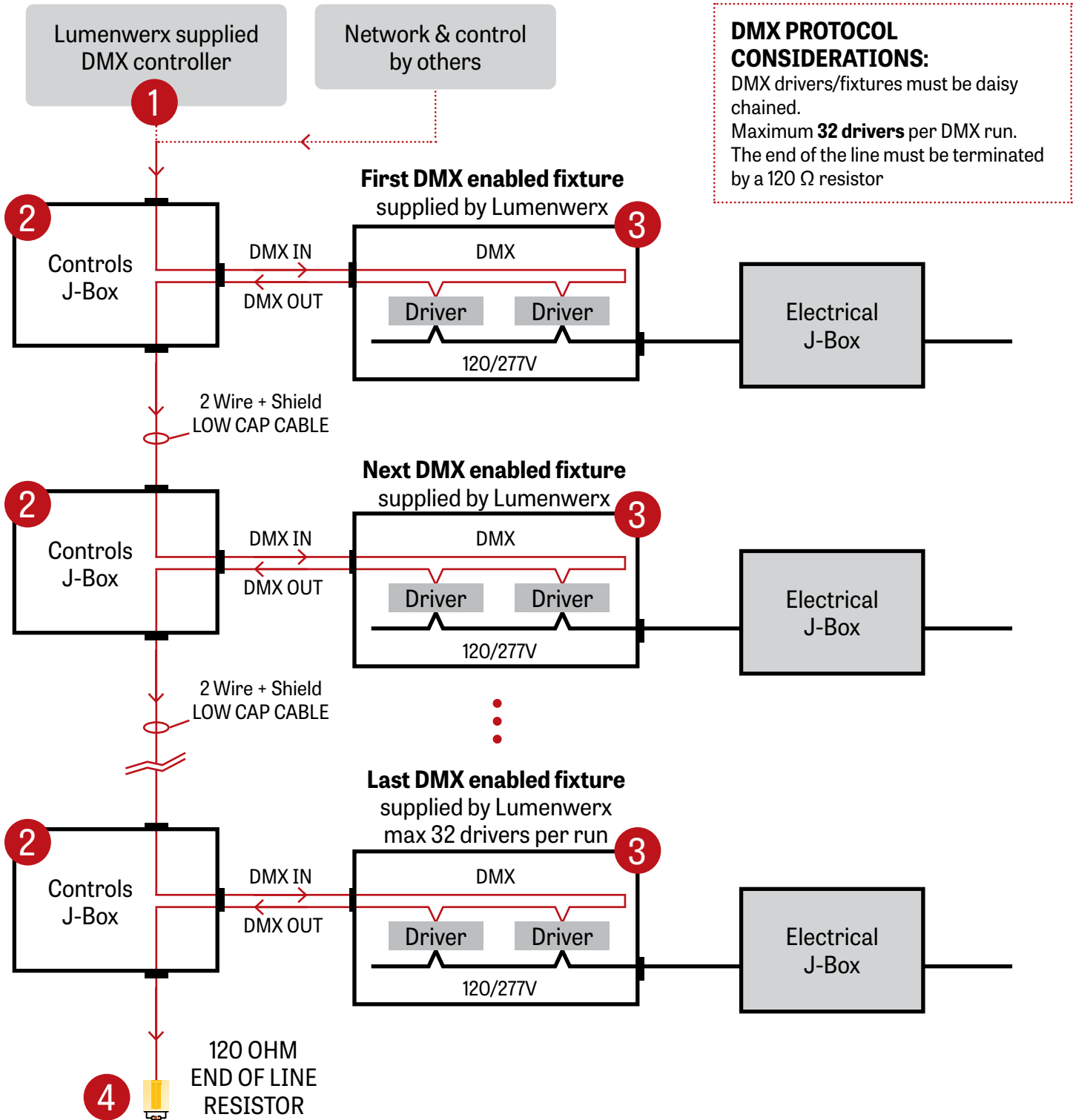
Subject to factory evaluation and approval. Please contact our controls specialist at controls@lumenwerx.com. Additional cost and equipment will be required. ✓

VIA 5 PERIMETER

RECESSED PATTERN
CHROMAWERX - SOLA, DUO



GENERIC DMX NETWORK ARCHITECTURE



VIA 5 PERIMETER

RECESSED PATTERN
CHROMAWERX - SOLA, DUO



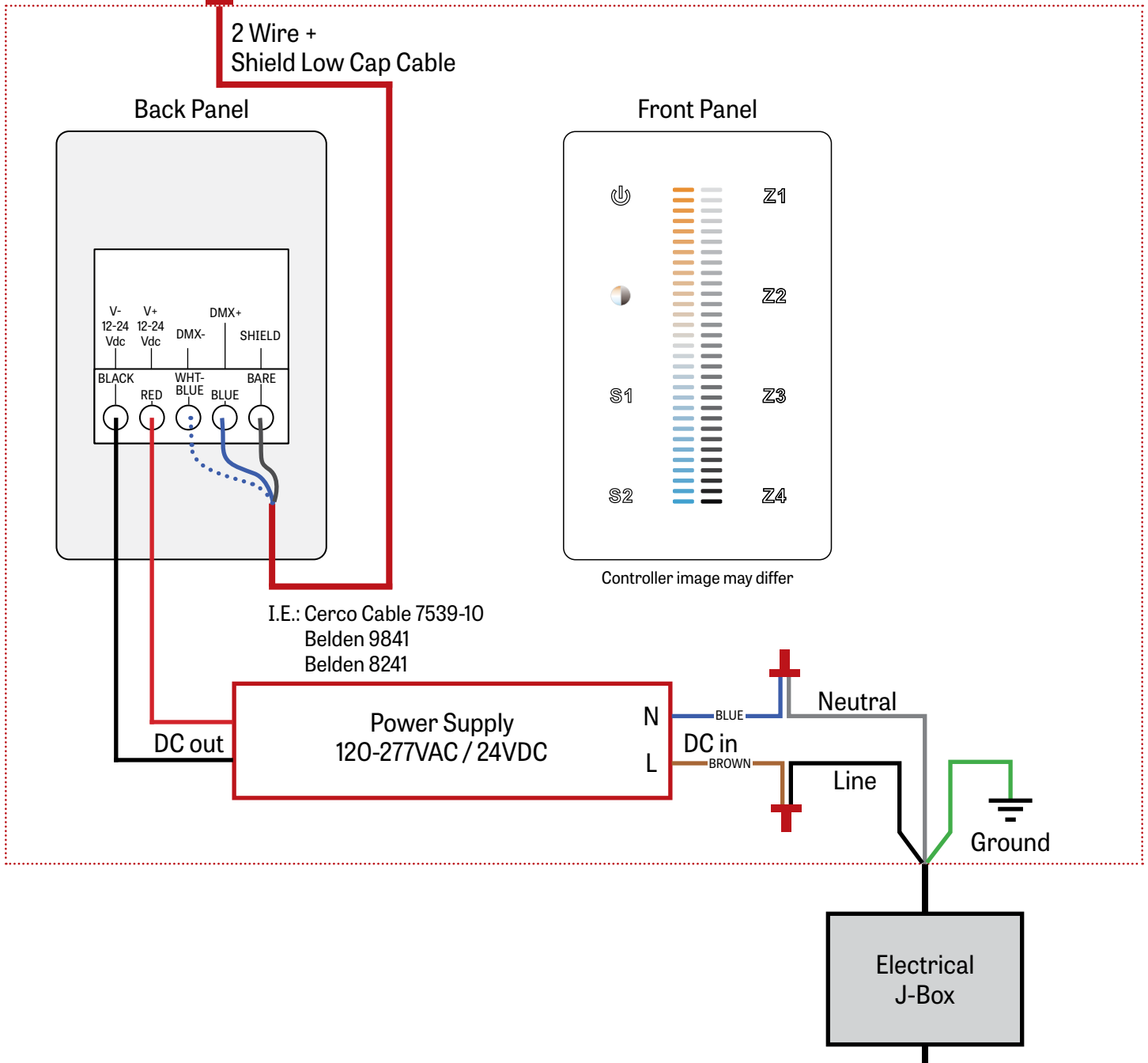
1 LUMENWERX SUPPLIED DMX CONTROLLER

To the first fixture



2 Wire +
Shield Low Cap Cable

WALL BOX SUPPLIED BY OTHERS

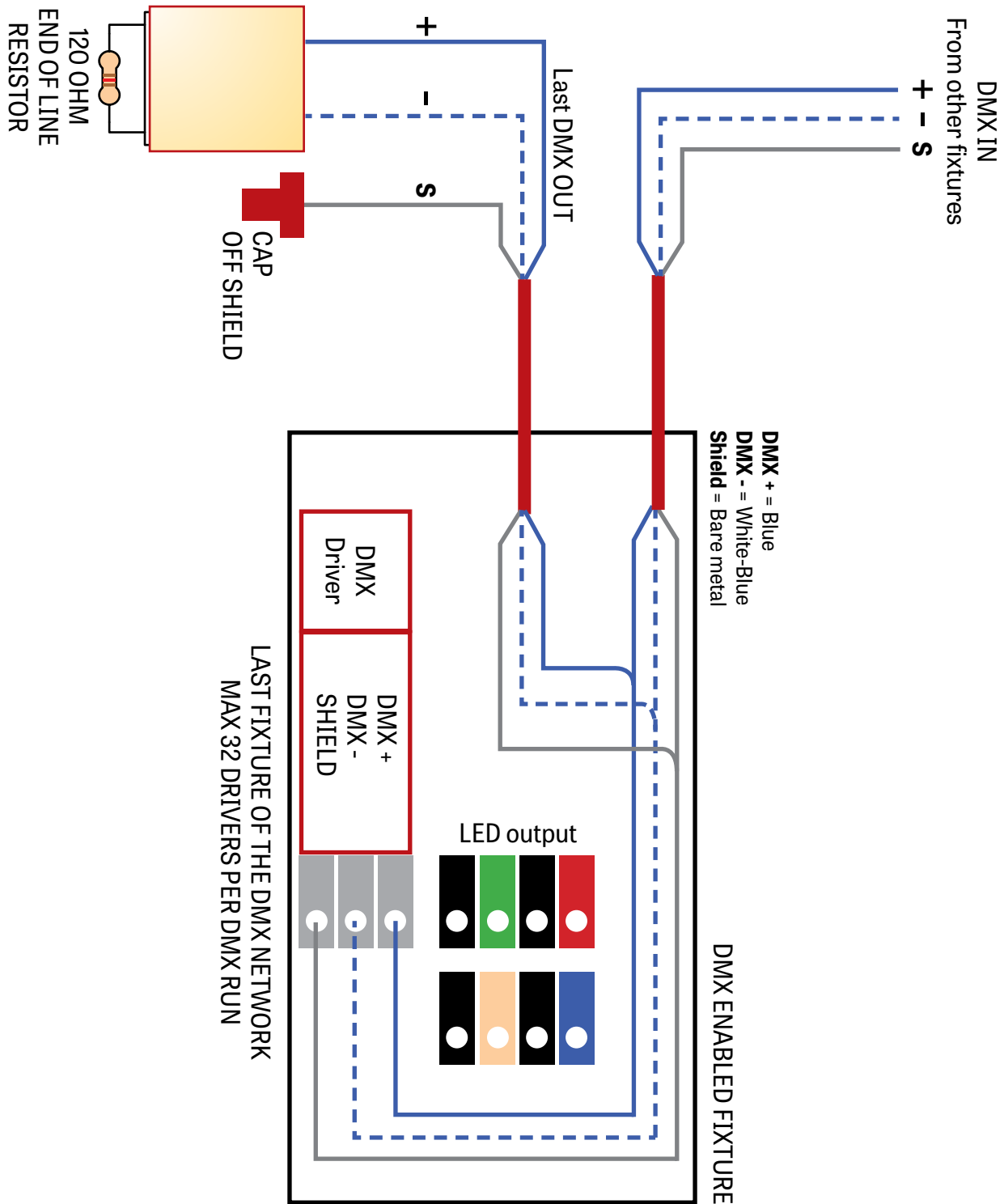


VIA 5 PERIMETER

RECESSED PATTERN
CHROMAWERX - SOLA, DUO



4 DMX LAST FIXTURE DETAIL



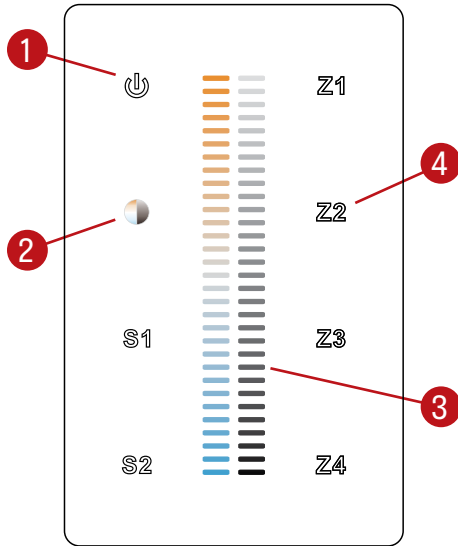
VIA 5 PERIMETER

RECESSED PATTERN
CHROMAWERX - SOLA, DUO



DMX WALL CONTROLLER

DUO 1-4 ZONE



- (1) Power: Use this button to turn ON or OFF the fixture.
- (2) Brightness/CCT: Use the color/brightness toggle button to choose between color/brightness. When Blue: brightness is selected, when Yellow: color is selected.
- (3) Slider: Depending on the mode chosen in step 2, the slider will allow the user to set desired color or brightness.
- (4) Zone select: Up to 4 zones can be selected either independently or together. Once selected, the commands will be sent to the zone identified by a Blue LED.

Default DMX Addresses:

- 1 Warm
- 2 Cool

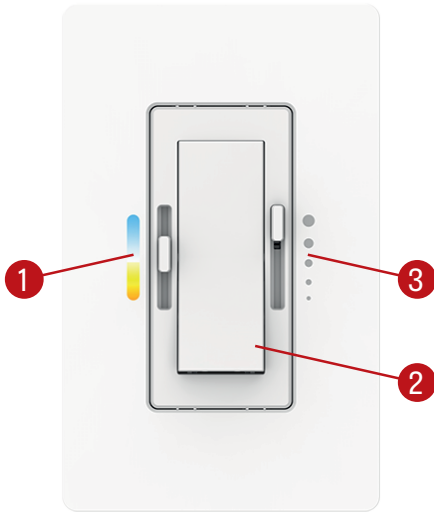
VIA 5 PERIMETER

RECESSED PATTERN
CHROMAWERX - SOLA, DUO



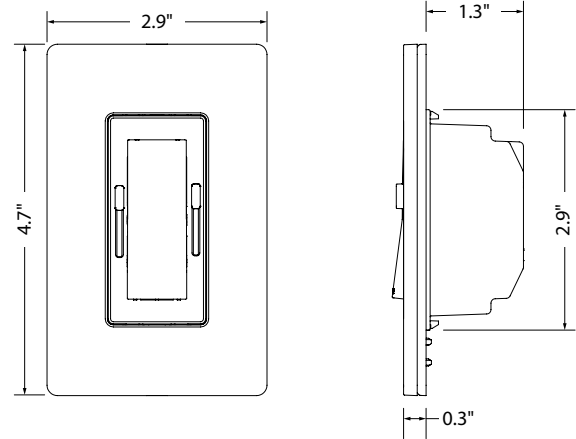
DUAL 0-10V WALL CONTROLLER

Front Panel



Controller image may differ

Dimensions



- (1) CCT control: Use this button to adjust the color temperature.
- (2) On/Off switch: Use this button to turn ON or OFF the fixture.
- (3) Dimming control: Use this button to adjust the brightness.

Wiring Diagram

