

VIA 1.5 WALL PATTERN


DIRECT/INDIRECT, DIRECT, INDIRECT
STATIC WHITE, BIOS



Declare.

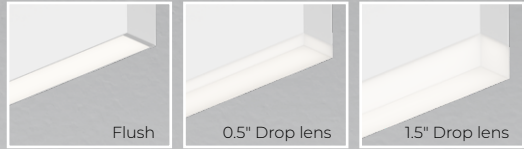


SENSORS
For latest information on sensors, click [here](#).



Our elegant, flexible Via family is composed of linear, pendant, surface, recessed, and wall mounted luminaires. Each lighting fixture can be installed as a discrete luminaire or in continuous runs or patterns in which a combination of luminaires forms part of a custom design that can also incorporate less conventional acute and obtuse angles. Via 1.5 Wall is offered with Lambertian or asymmetric optics.

Lens Positions



DIRECT



HLO

INDIRECT



CLO

WAI2

HLO



VIA 1.5 WALL PATTERN



DIRECT/INDIRECT, DIRECT, INDIRECT
STATIC WHITE, BIOS

Project: _____

 Type: _____

Order Guide

A drawing of your pattern is required - anything from a line drawing to an architectural drawing.

LUMINAIRE ID	DISTRIBUTION	DIRECT OPTIC Specify NA for Indirect fixture	LENS POSITION Specify NA for Indirect fixture	INDIRECT OPTIC Specify NA for Direct fixture	LIGHT SOURCE ⁴	CRI
VIA1.5WPAT						
VIA1.5WPAT - Via 1.5" Wall Pattern	DI - Direct/Indirect D - Direct I - Indirect	HLO - High-Efficiency Lambertian Optic NA - Not applicable	FH - Flush 0.5D - 0.5" drop 1.5D - 1.5" drop NA - Not applicable	CLO ¹ - Clear Lambertian Optic WAI2 ² - Widespread Asymmetric Indirect Optic HLO ³ - High-Efficiency Lambertian Optic NA - Not applicable	SW - Static white BIOSST ^{5,6} - BIOS Biological Static BIOSDY ^{5,6} - BIOS Biological Dynamic BIOSTU ^{5,6} - BIOS Biological Tunable	80CRI - 80+ CRI 90CRI ⁷ - 90+ CRI
					⁴ Chromawerx SOLA, DUO, and QUADRO also available. Consult other spec sheets. ⁵ Only available with low and medium lumen packages. ⁶ See page 5 for details.	⁷ Not available with BIOS.
DIRECT LUMEN PACKAGE Specify NA for Indirect fixture		INDIRECT LUMEN PACKAGE Specify NA for Direct fixture		COLOR TEMP.	PATTERN LENGTH	CORNER TYPE ¹⁶
200LMF ⁸ - Hypo output 200 lm/ft 350LMF - Low output 350 lm/ft 500LMF - Medium output 500 lm/ft 750LMF ⁹ - High output 750 lm/ft 900LMF ^{10,11} - Hyper output 900 lm/ft NA - Not applicable		350LMF ⁸ - Low output 350 lm/ft 500LMF - Medium output 500 lm/ft 750LMF ¹² - High output 750 lm/ft 900LMF ^{10,11} - Hyper output 900 lm/ft NA - Not applicable		27K ¹³ - 2700K 30K - 3000K 35K - 3500K 40K - 4000K 50K ¹³ - 5000K	##FT##IN(##FT##IN-##X##FT##IN-...) ^{14,15} - ##FT##IN: total nominal length of pattern in feet and/or inches #X: quantity of each section #FT##IN: nominal length of each section in feet and/or inches Continuous runs: lengths over 12' ¹⁴ - Minimum 2' for Direct or Indirect. - Minimum 3' for Direct/Indirect. ¹⁵ Available in 2' increments only with BIOSTU/BIOSDY.	#LEV2C(A##) - 2-way leveled inside corner #LEVO2C(A##) - 2-way leveled outside corner ANGLE (A##): (A90) - 90° (A##) ¹⁷ - Custom ¹⁶ Specify quantity (#) and angle (A##) for each required corner type. If more than one option is specified, separate codes with a "+", e.g. 1LEV2C(A90)+2LEVO2C(A90). ¹⁷ Minimum angle is 30°.
⁸ Minimum 4' fixture. ⁹ For Direct/Indirect, Indirect must not exceed 500 lm/ft. ¹⁰ For Direct fixture only or Indirect fixture only. ¹¹ Fixture will be very bright. Use in suitable applications. ¹² For Direct/Indirect, Direct must not exceed 500 lm/ft.				¹³ Not available with BIOS.		

VOLTAGE	DRIVER ¹⁹	ELECTRICAL	ELECTRICAL SECTIONS (optional) ^{26, 27}	MOUNTING
				DMB
120V - 120V 277V - 277V UNV - 120V-277V 347V ¹⁸ - 347V	D1 - 1% 0-10V DA ²⁰ - DALI LDE1 ²⁰ - Lutron Hi-lume 1% Eco ELD1 - eldoLED 1% ECOdrive 0-10V ELD0 - eldoLED 0.1% SOLOdrive 0-10V ELV ²¹ - ELV 120V TRI ²¹ - TRIAC 120V	1C - 1 circuit 2C ²² - 2 circuits #MC ²³ - Multi circuit EC - Emergency-powered fixture NL - Night light fixture DL - Daylight fixture GTD ^{24, 25} - Generator transfer device fixture	#EC## ²⁸ - Emergency-powered section #NL## ²⁸ - Night light section #DL## ²⁸ - Daylight section #GTD## ^{28, 29, 30} - Generator transfer device section #EMB ^{30, 31} - Emergency battery NA - None	DMB - Drywall mounting bracket
¹⁸ Available with D1 driver only.	¹⁹ PoE (Power-over-Ethernet) compatible. Consult factory for details. ²⁰ On-site commissioning is required. ²¹ Available with 120V only.	²² Available for Direct/Indirect only. Separate direct and indirect circuits. ²³ Specify total number of circuits (#), including any required for electrical section options. Provide drawing or layout specifications. Minimum 4' section per circuit. ²⁴ Minimum 4' fixture. ²⁵ Not available with 347V.	²⁶ Specify with multi circuit (#MC) electrical option only. ²⁷ Provide drawing or layout specifications. Consult factory for other configurations. Default section length is 4'. ²⁸ Specify quantity (#), and section length in inches (##). ²⁹ Minimum 4' section. ³⁰ Not available with 347V. ³¹ Specify quantity (#). All batteries will be on the same circuit. Each battery powers a 4' section. For Direct/Indirect, minimum 8' fixture.	

FINISH	CONTROL ^{32, 33, 34}	OPTION
W - Matte white AL - Aluminum B - Matte black CF# - Custom finish, specify RAL#	STANDALONE CONTROLS ^{35, 36} Specify the quantity (#) of sensors per fixture. #ODS - Onboard Daylight NA - None	FU120 - Fuse 120V FU277 - Fuse 277V NA - None
	³² Standalone and connected control options cannot be combined. ³³ Available with flush lens option only. ³⁴ Consult factory for connected controls. Compatible systems include Lutron, Cooper, Casambi, and Legrand. ³⁵ Available with D1 driver and 1 circuit options only. ³⁶ Minimum 4' per zone. Provide control zone length.	

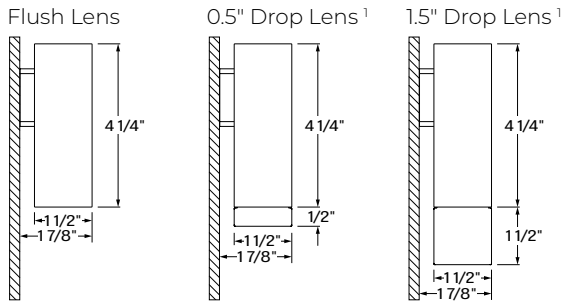


VIA 1.5 WALL PATTERN

DIRECT/INDIRECT, DIRECT, INDIRECT
 STATIC WHITE, BIOS

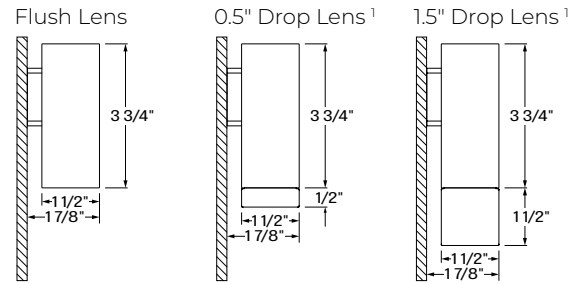
Dimensions

DIRECT/INDIRECT



¹Only available with HLO direct lens.

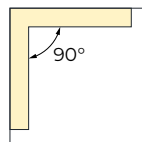
DIRECT or INDIRECT



Pattern Layout

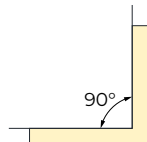
CORNER TYPES

LEVELED INSIDE CORNER



1LEVI2C(A90)

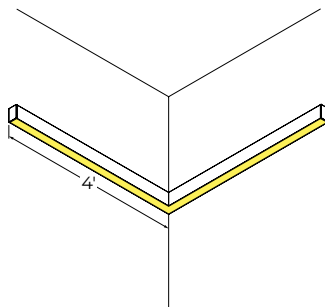
LEVELED OUTSIDE CORNER



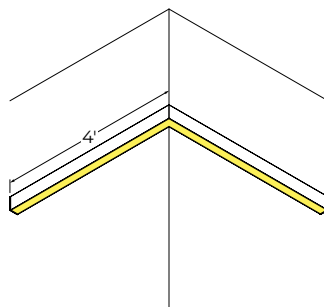
1LEVO2C(A90)

2-way

EXAMPLES



8FT(2X4FT)-1LEVI2C(A90)



8FT(2X4FT)-1LEVO2C(A90)

VIA 1.5 WALL PATTERN

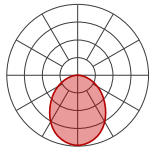
DIRECT/INDIRECT, DIRECT, INDIRECT
 STATIC WHITE, BIOS

Photometrics

Values calculated based on a 4' fixture at 3500K for all optics.

DIRECT OPTIC

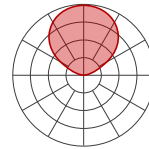
HLO (Flush lens)



LM/FT	W/FT	LM/W
200	2.2	90
350	4.0	87
500	5.8	85
750	9.0	84
900	10.9	82

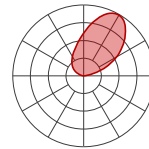
INDIRECT OPTICS

CLO



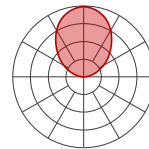
LM/FT	W/FT	LM/W
350	2.3	154
500	3.3	150
750	5.2	144
900	6.4	141

WAI2



LM/FT	W/FT	LM/W
350	2.5	139
500	3.7	135
750	5.8	130
900	7.1	126

HLO



LM/FT	W/FT	LM/W
350	4.0	87
500	5.8	85
750	9.0	84
900	10.9	82

MULTIPLIER TABLES

Use these tables to get results for different color temperatures and lens positions for all photometric tables.

Multiplier - CCT/CRI

CCT	WATTS		LPW
	80+ CRI / 90+ CRI	80+ CRI / 90+ CRI	80+ CRI / 90+ CRI
2700K	1.05		0.95
3000K	1.02		0.98
3500K	1.00		1.00
4000K	1.00		1.00
5000K	0.96		1.04

Multiplier - Lens position

DIRECT LENS	WATTS	LPW
Flush lens	1.00	1.00
Drop lens 0.5"	0.89	1.12
Drop lens 1.5"	0.88	1.14

DIRECT/INDIRECT - LPW CALCULATION

For Direct/Indirect performance values, follow the formula.

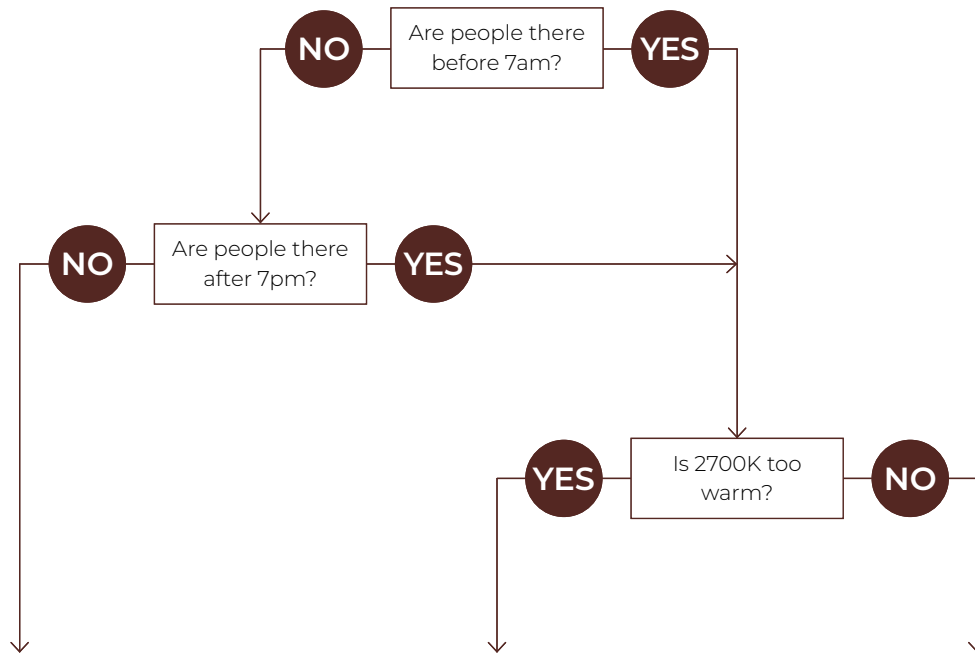
$$\frac{\left(\begin{matrix} \text{DIRECT} \\ \text{LM/FT} \end{matrix} + \begin{matrix} \text{INDIRECT} \\ \text{LM/FT} \end{matrix} \right)}{\left(\begin{matrix} \text{DIRECT} \\ \text{W/FT} \end{matrix} + \begin{matrix} \text{INDIRECT} \\ \text{W/FT} \end{matrix} \right)} = \text{LPW}$$

VIA 1.5 WALL PATTERN

DIRECT/INDIRECT, DIRECT, INDIRECT
 STATIC WHITE, BIOS

BIOS

Three BIOS Circadian LED solutions are offered – Biological Static, Biological Dynamic, and Biological Tunable.
 Use the decision tree below to identify when and where to use BIOS Wellness LED Lighting Solutions.



Biological Static BIOSST	Biological Dynamic BIOSDY	Biological Tunable BIOSTU
No CCT change when dimmed e.g. 40K - 4000K stays as 4000K when dimmed	500K shift when dimmed e.g. 40K - 4000K changes to 3500K when dimmed	Dims to 2700K e.g. 40K - 4000K changes to 2700K when dimmed
Daytime solution	Daytime + evening solution	Daytime + evening solution
Spaces in operation during daytime hours, between 7am and 7pm	Spaces in operation overnight, after 7pm and before 7am, and when CCT color shift in the evening is not preferred	Suitable for spaces in operation overnight, after 7pm and before 7am, and where people do not sleep (CCT color shift in the evening is preferred)
E.g. offices, medical/dental offices	E.g. hospitals	E.g. offices, shiftwork

VIA 1.5 WALL PATTERN

DIRECT/INDIRECT, DIRECT, INDIRECT
STATIC WHITE, BIOS



Technical Specifications

DIRECT OPTIC

High-Efficiency Lambertian Optic (HLO)

The High-Efficiency Lambertian Optic (HLO) uses matte white reflectors to distribute LED output across 0.075" acrylic shielding, providing up to 88% transmission and good obscuration. Available with different lens position options, HLO has a spacing criterion of 1.12.

INDIRECT OPTICS

Clear Lambertian Optic (CLO)

The Clear Lambertian Optic (CLO) uses a single horizontal LED array and a clear acrylic cover to provide simple uplight with high efficiency.

Widespread Asymmetric Indirect Optic (WAI2)

The Widespread Asymmetric Indirect Optic (WAI2) offers an upward grazing effect with a 45° forward throw. It softly highlights the ceiling in the up-light while distributing the required illumination of the rest of an interior space. For avoiding glare and enjoying visual comfort, WAI2 is an ideal solution.

High-Efficiency Lambertian Optic (HLO)

The High-Efficiency Lambertian Optic (HLO) uses matte white reflectors to distribute LED output across 0.075" acrylic shielding, providing up to 88% transmission and good obscuration. HLO has a spacing criterion of 1.12.

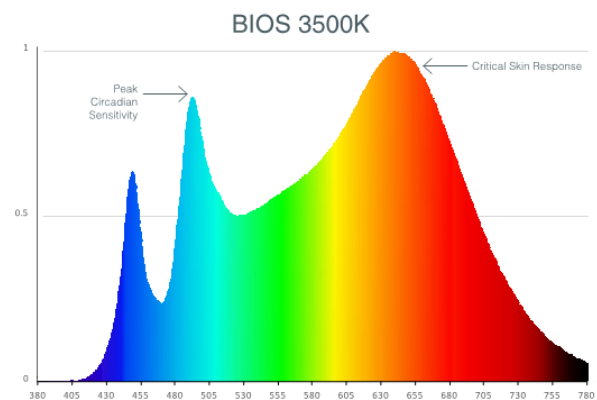
LIGHT SOURCE

Static white

Custom linear array of mid-flux LEDs are cartridge-mounted with quick-connect wiring to facilitate service and thermal management. Available in 2700K, 3000K, 3500K, 4000K, and 5000K with a minimum 80+ CRI and an option for 90+ CRI with elevated R9 value. Color consistency maintained to within 3 SDCM. All LEDs have been tested in accordance with IESNA LM-80-08 and the results have shown L80 lumen maintenance greater than 60,000 hours. Absolute product photometry is measured and presented in accordance with IESNA LM-79, unless otherwise indicated.

BIOS

BIOS SkyBlue™ Technology is designed to provide the specific circadian stimulus to improve overall sleep quality, recovery during the night, and overall feelings of well-being. The non-visual light signals that stimulate our circadian system have peak intensity in the "sky blue" region. As the diagram below illustrates, BIOS SkyBlue technology shifts the peak LED spectral intensity (490 nm) to align better with the peak response of circadian stimulus. Also note the enhanced deep-red (near 660 nm) spectrum.



Three BIOS solutions are offered: BIOS Biological Static (BIOSST), BIOS Biological Dynamic (BIOSDY), and BIOS Biological Tunable (BIOSTU). See page 5 for details.

PATTERN LENGTH

All individual sections are joined together onsite using the joiner kits provided. Lumenwerx offers joiner kits that are extremely simple to work with in the field and result in a fixture that appears virtually seamless with no light leak at any connection.

ELECTRICAL

Factory-set, adjustable output current LED driver with universal (120-277 VAC) input. Dimmable from 100% to 1% with 0-10V dimming control. Rated life (90% survivorship) of 50,000 hours at 50°C max. ambient (and 70°C max. case) temperature. At maximum driver load: Efficiency > 84%, PF > 0.9, THD < 20%. Other specifiable options include Lutron Hi-Lume 1% Eco, eldoLED 1% ECOdrive 0-10V, eldoLED 0.1% SOLOdrive 0-10V, ELV, TRIAC, and DALI protocol drivers. All of our standard 0-10V drivers are NEMA 410 compliant. ELV and TRIAC dimming performance (including minimum dimming percentage) subject to dimmer selection.

VIA 1.5 WALL PATTERN

DIRECT/INDIRECT, DIRECT, INDIRECT
STATIC WHITE, BIOS



PoE

Depending on the PoE manufacturer selected, Lumenwerx will install the node in factory as either integral to the luminaire or as a remote module. Factory programming of the PoE node may or may not enable the following functionalities: lumen package, DUO (tunable white), QUADRO (RGBW), emergency battery backup, and sensor integration. These must be addressed and evaluated on a case-by-case basis.

ELECTRICAL SECTION OPTIONS

Electrical section options are available for fixtures specified as multi circuit (#MC). With MC, specify the total number of circuits (#), including any circuits required for optional electrical sections. A drawing is required to specify the layout. Please consult factory for custom configurations.

Electrical sections

Options include emergency-powered (#EC##), night light (#NL##), daylight (#DL##), and generator transfer device (#GTD##) sections. Specify the quantity (#), as well as the section length in inches (##).

Example 1: A 32' Direct fixture with two 8' emergency-powered sections on a second circuit.
Code: 2MC-2EC96

Example 2: A 16' Direct/Indirect fixture with separate circuits for direct and indirect, and with one 4' night light section on the direct side on a third circuit.
Code: 3MC-1NL48

Example 3: A 24' Direct fixture with one 4' generator transfer device section.
Code: 1MC-1GTD48

Battery

Each emergency battery (#EMB) powers a 4' section. All batteries will be on the same circuit. Specify the number of batteries (#) required.

Factory installed long life, high temperature, maintenance-free Lithium-Ion battery pack with self-test functionality, test switch and charge indicator. Minimum of 90 minutes operation, up to 1000 lumens per 4' (25°C) emergency lighting output and recharge time of 24 hours.

MOUNTING

Fixtures may be horizontally mounted to the wall using a bracket. For long runs, a minimum of 6" from adjacent wall is required.

FINISH

Interior: 95% reflective matte powder coated white paint

Exterior: Matte white, matte black or aluminum powder coating. Custom finishes are also available.

CONTROLS

Lumenwerx offers several options for integrating occupancy and daylight harvesting controls in our luminaires. For latest information on sensors, click [here](#).



Standalone controls

An integrated standalone sensor controls the luminaire in which it is installed. Depending on the length, more than one sensor may be necessary and may control the entire luminaire, or just a section of it. These controls operate independently. Unless otherwise agreed, sensor location, blank size, and functionality of the sensor within the luminaire are selected by Lumenwerx. See client drawings for details.

One type is available:

ODS: An integral, daylight harvesting sensor with closed-loop operation dims the luminaire in which it is installed in order to compensate for available daylight. The sensor measures the combination of daylight and luminaire light reflected from horizontal surfaces below the luminaire. Initial onsite calibration is required via the use of provided remote control.

Connected controls

With connected controls, sensors or nodes installed in the luminaire form part of a larger control system infrastructure from manufacturers such as: Lutron, Cooper Wavelinx, Casambi, Legrand, and others. These connected controls allow for a scalable system providing features like occupancy and daylight control, manual control, scheduling and configuration of various zones and scenes. Energy reporting and system monitoring are also possible. Specific capabilities depend on the control system being used. Consult factory for integrating connected controls in a wall fixture.

CONSTRUCTION

Housing: Extruded aluminum

Interior brackets: Die-formed cold rolled sheet steel

Joining system: Die-cast zinc

Reflectors: Die-formed cold rolled steel, 95% reflective matte white painted

Lens: Acrylic

Drop lens: Extruded with glued end caps

End caps: Die-cast aluminum

VIA 1.5 WALL PATTERN

DIRECT/INDIRECT, DIRECT, INDIRECT
STATIC WHITE, BIOS



CERTIFICATIONS

ETL: Rated for indoor dry/damp locations. Conforms to UL Standard 1598 and certified to CAN/CSA Standard C22.2 No. 250.0.

Declare: [LBC Red List Approved](#)

WARRANTY

Lumenwerx provides a five-year limited warranty on electrical and mechanical performance of the luminaires, including the LED boards, drivers, and auxiliary electronics. Lumenwerx will repair or replace defective luminaires or components at our discretion, provided they have been installed and operated in accordance with our specifications. Other limitations apply, please refer to the full warranty on our website.